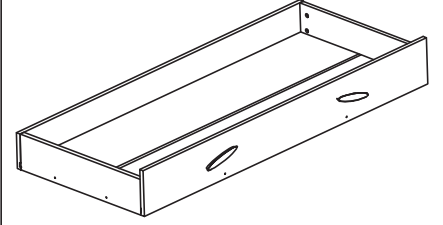


# caploonba

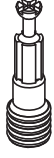

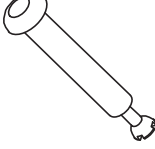
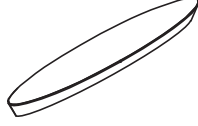
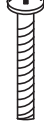
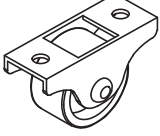
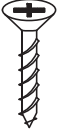
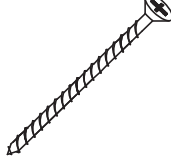


**GRUP** : WHITE HOUSE  
**GROUP** : WHITE HOUSE  
**ÜRÜN** : ÇATILI KARYOLA SANDIĞI  
**PRODUCT** : ROOF WITH BED  
**RENK** : BEYAZ\*SİS GRİ  
**COLOUR** : WHITE&FOG GRAY

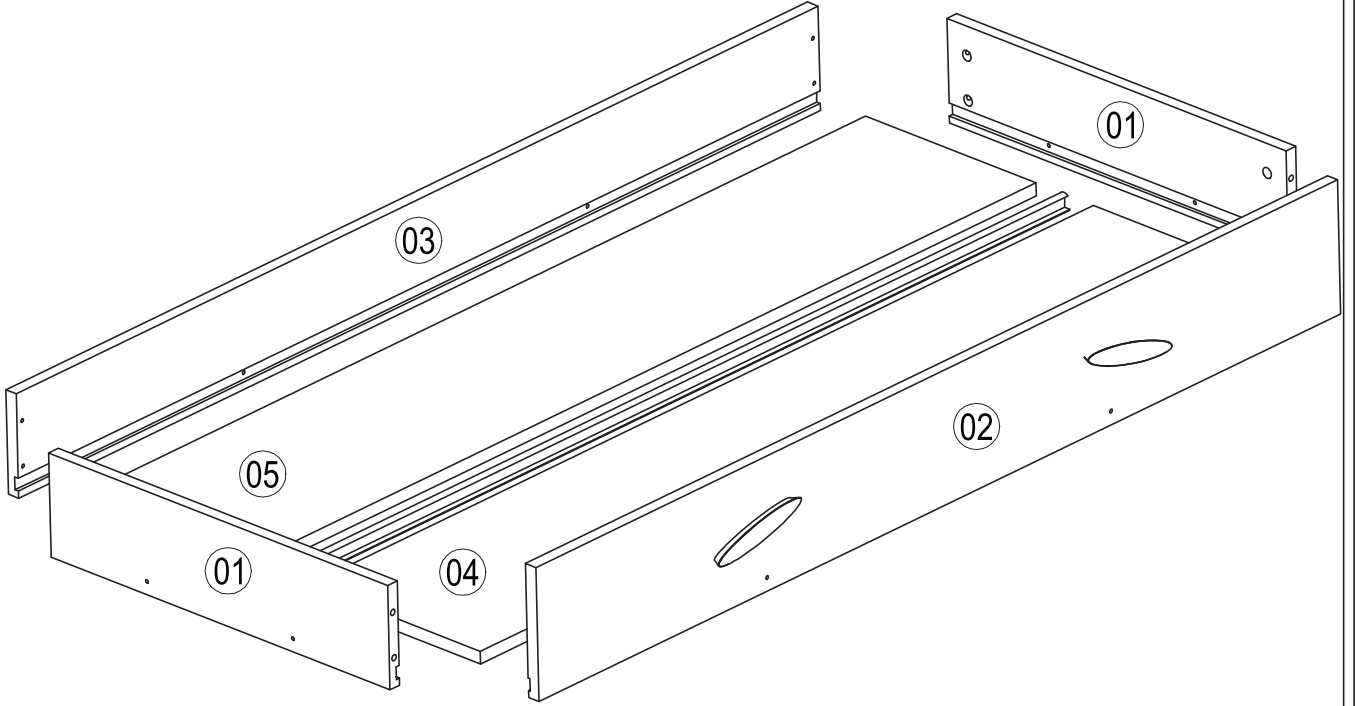
**KOD** : 466374  
**CODE** : 466374



## AKSESUAR LİSTESİ / ACCESSORIES LIST

|   |   |  |  |   |
|---|---|--|--|---|
| <p>ACCESSORIE NO : 317<br/>10'LUK MİNİFİX MİL</p>  <p>8 ADET</p> | <p>ACCESSORIE NO : 002<br/>TİTUS MİNİFİX GÖVDE</p>  <p>10 ADET</p> | <p>ACCESSORIE NO : 271<br/>TEK TARAFLI MİNİFİX MİL</p>  <p>2 ADET</p> | <p>ACCESSORIE NO : 418<br/>ATLAS KULP<br/>BEYAZ</p>  <p>2 ADET</p> | <p>ACCESSORIE NO : 533<br/>3,9*28 MM PLS.VİDA</p>  <p>4 ADET</p> |
| <p>ACCESSORIE NO : 075<br/>KÜÇÜK TEKER</p>  <p>5 ADET</p>       | <p>ACCESSORIE NO : 092<br/>4*18 MM S. VİDASI</p>  <p>10 ADET</p>  | <p>ACCESSORIE NO : 097<br/>4*45 S. VİDASI</p>  <p>6 ADET</p>         |  |   |
|   |   |  |  |   |
|   |   |  |  |   |
|   |   |  |  |   |

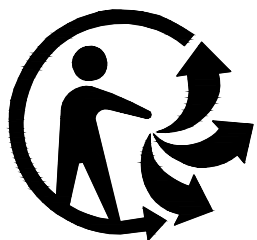
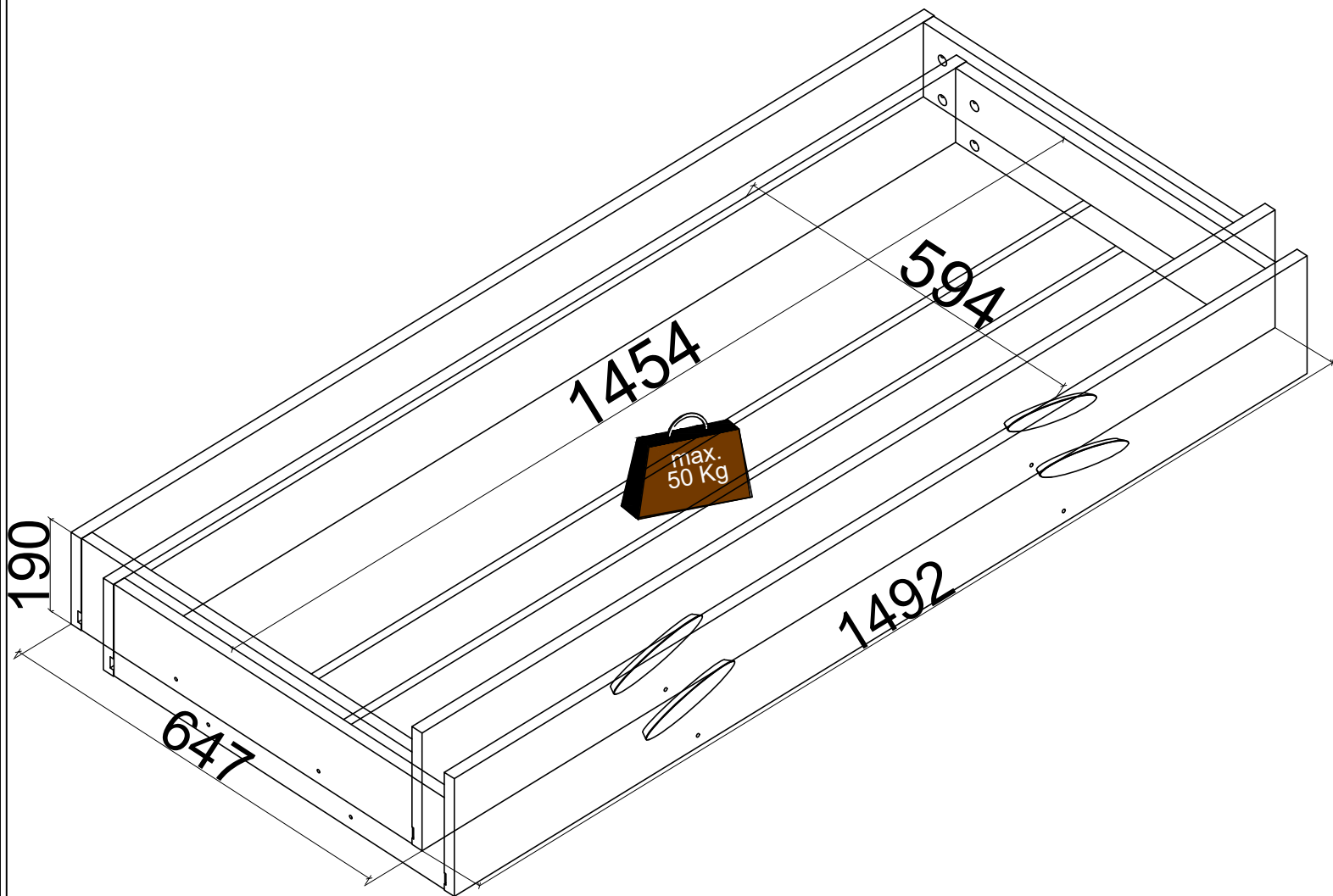
YEDEK AKSESUAR SİPARİŞLERİNİ RESME BAKARAK VERİNİZ. (Örn:ACCESSORIE.NO:008 - RAFİX MİL - 1 Ad.)  
PLEASE ORDER THE ACCESSORIES ACCORDING TO THE REFERENCE NUMBER ON THE DRAWING(EXAMPLE ACCESSORIE NO-008 RAFIX MIL 1.PCS.)



FR-002

| NO | ADET/PCS | NO | ADET/PCS | NO | ADET/PCS |
|----|----------|----|----------|----|----------|
| 01 | 2        |    |          |    |          |
| 02 | 1        |    |          |    |          |
| 03 | 1        |    |          |    |          |
| 04 | 1        |    |          |    |          |
| 05 | 1        |    |          |    |          |
|    |          |    |          |    |          |
|    |          |    |          |    |          |
|    |          |    |          |    |          |
|    |          |    |          |    |          |
|    |          |    |          |    |          |

**466374**

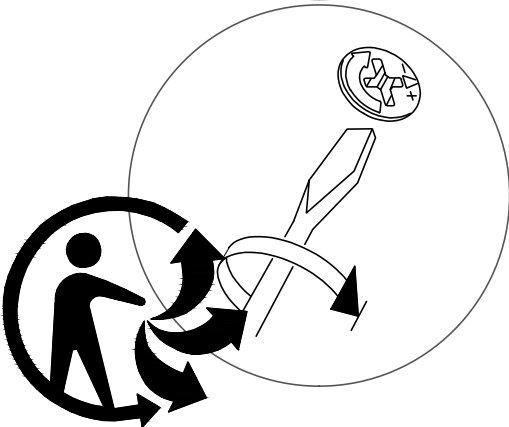
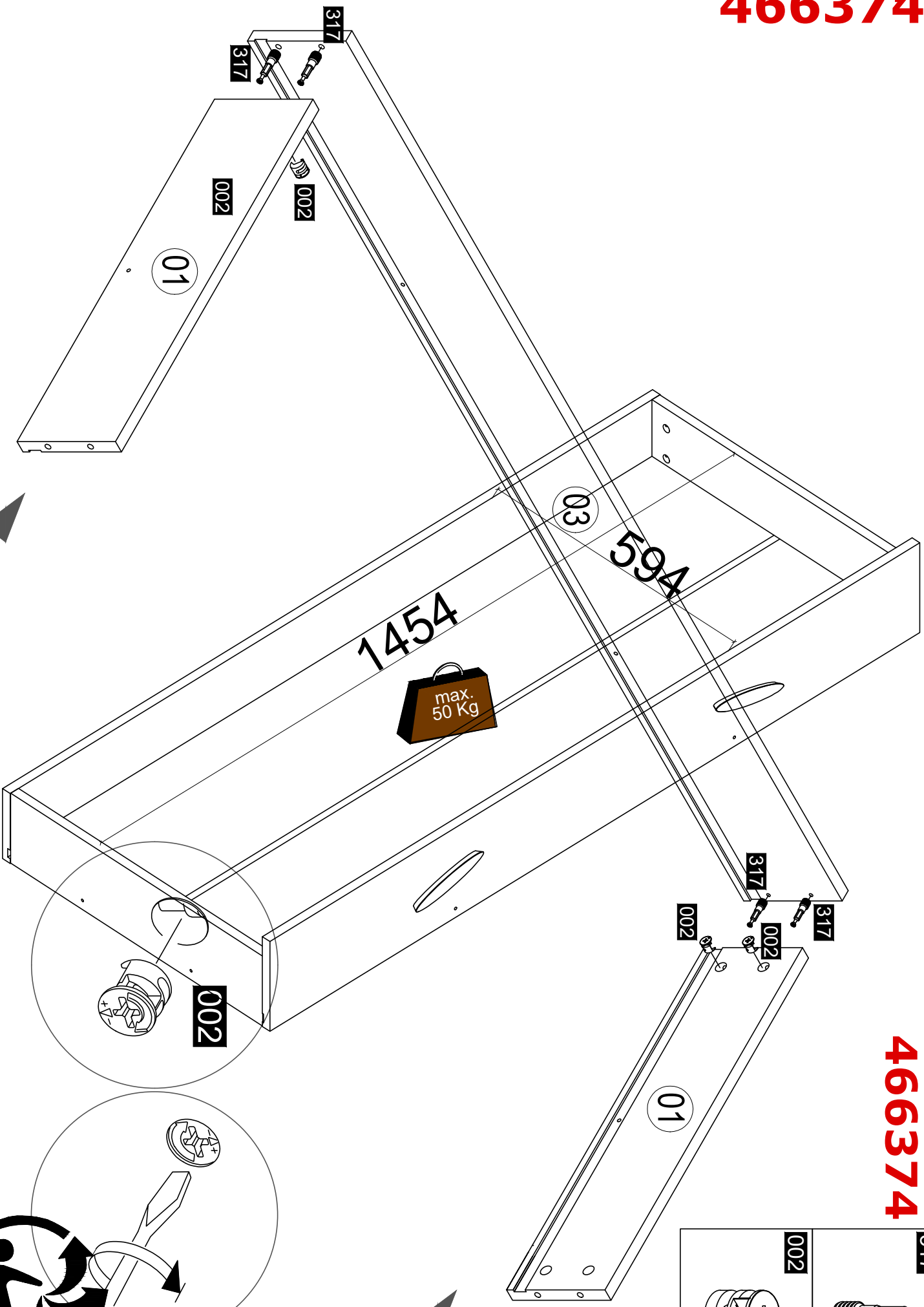


466374

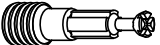
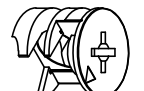
466374

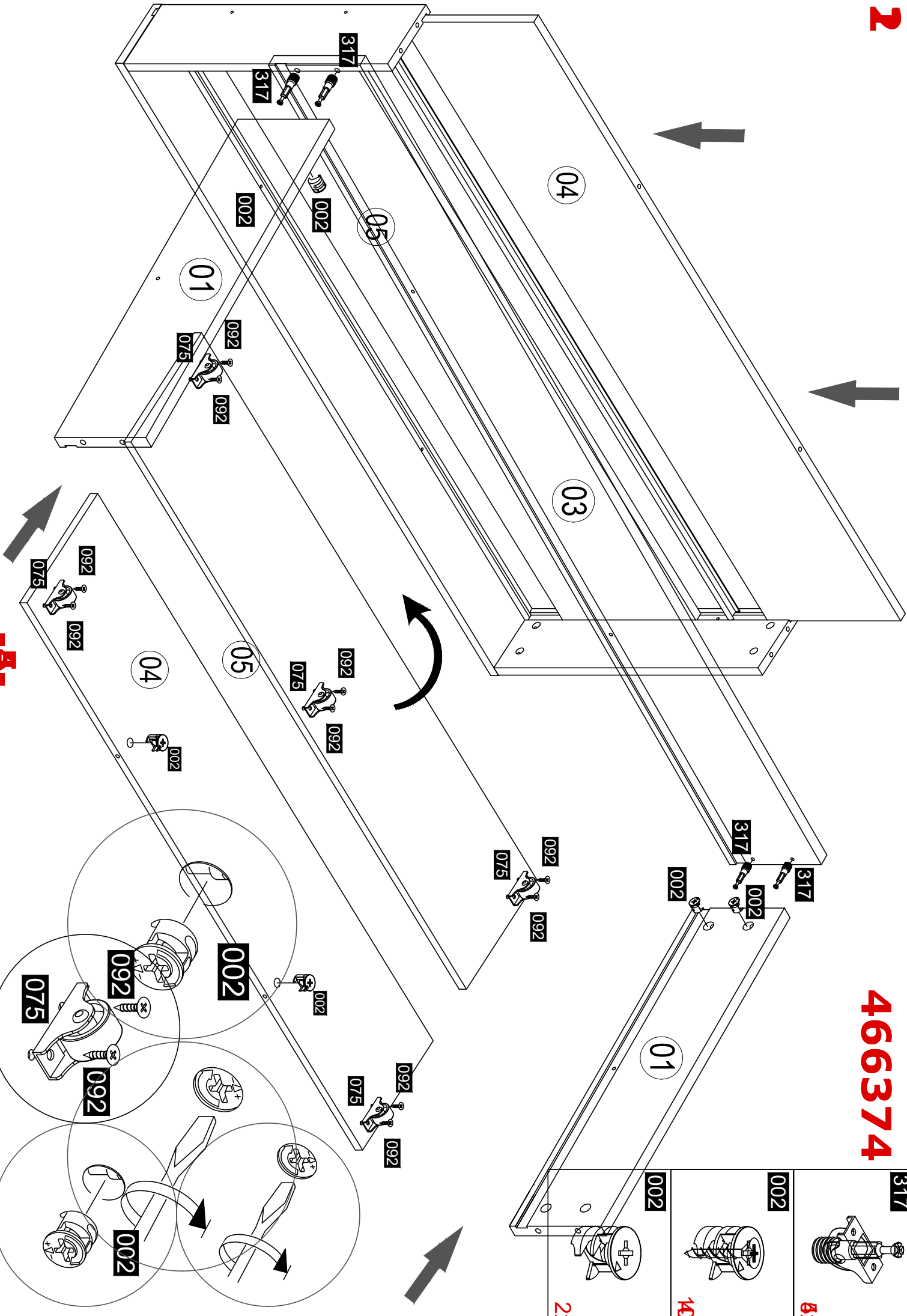


-4-

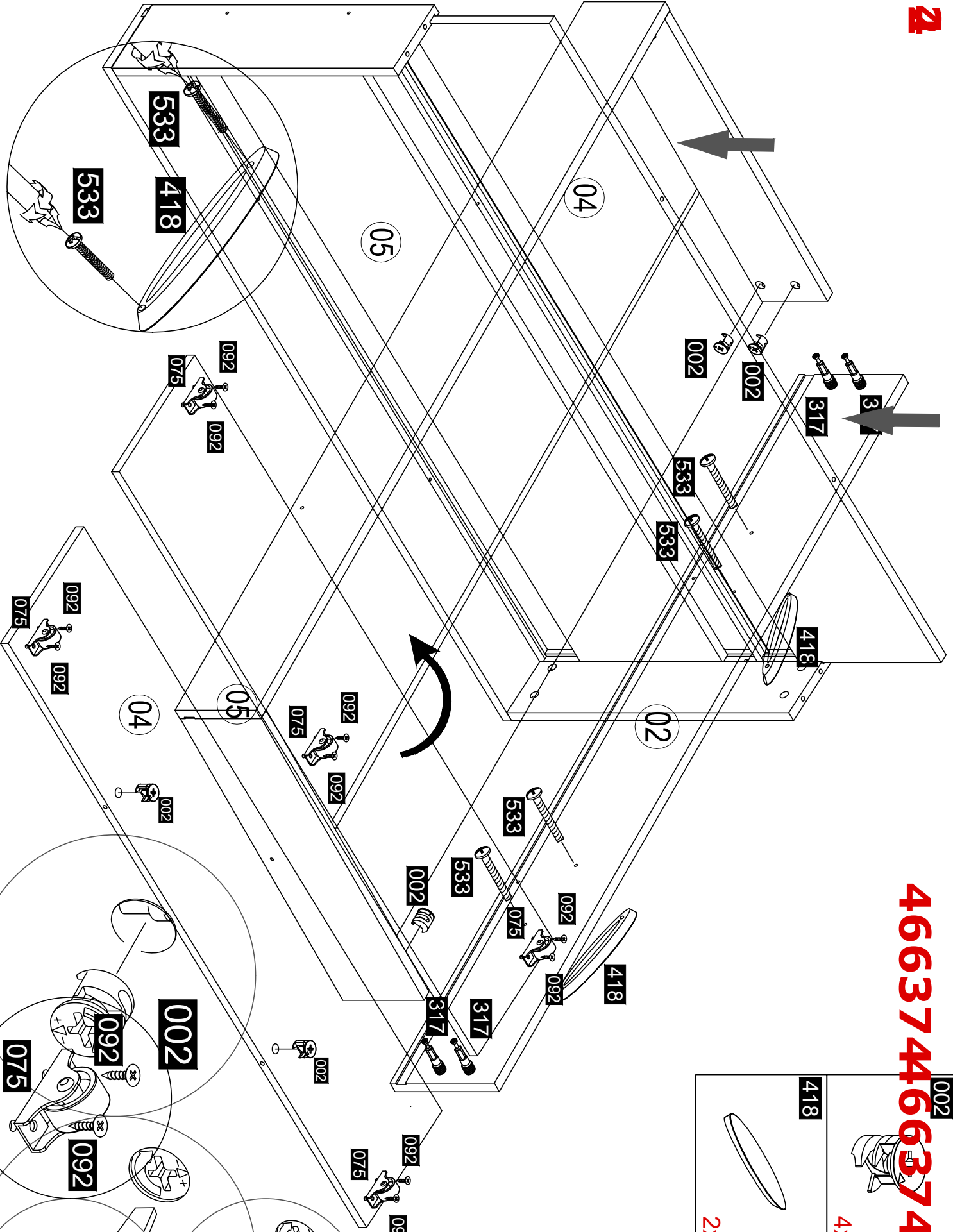



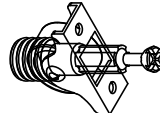


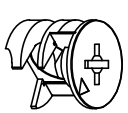
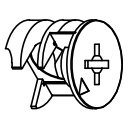
-3-


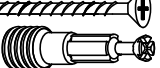



|  |  |
|--|--|
|  <p>317</p> <p>4X</p> |  <p>002</p> <p>4X</p> |
|--|--|



# 466374466374



|   |            |   |            |
|---|------------|---|------------|
|  | <b>002</b> |  | <b>075</b> |
| <b>4x</b>   |            | <b>8x</b>   |            |
|  | <b>418</b> |  | <b>092</b> |
| <b>2x</b>   |            | <b>10x</b>  |            |
|  | <b>002</b> |  | <b>002</b> |
| <b>2x</b>   |            | <b>2x</b>   |            |

|     |   |    |         |   |    |
|-----|---|----|---------|---|----|
| 002 |  | 4X | 097 317 |  | 4X |
| 418 |  | 2X | 533     |  | 6X |
|     |   |    |         |  | 4X |

