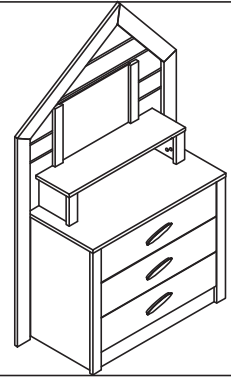


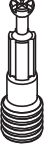

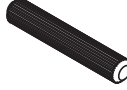



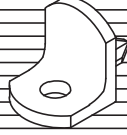
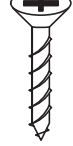
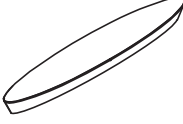
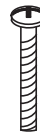
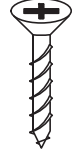
caploonba

GRUP : PİNK HOUSE
GROUP : PİNK HOUSE
ÜRÜN : ŞİFONYER
PRODUCT : CHİFFONİER
RENK : DOĞAL HUŞ&PEMBE
COLOUR : NATURAL BİRCH&PINK

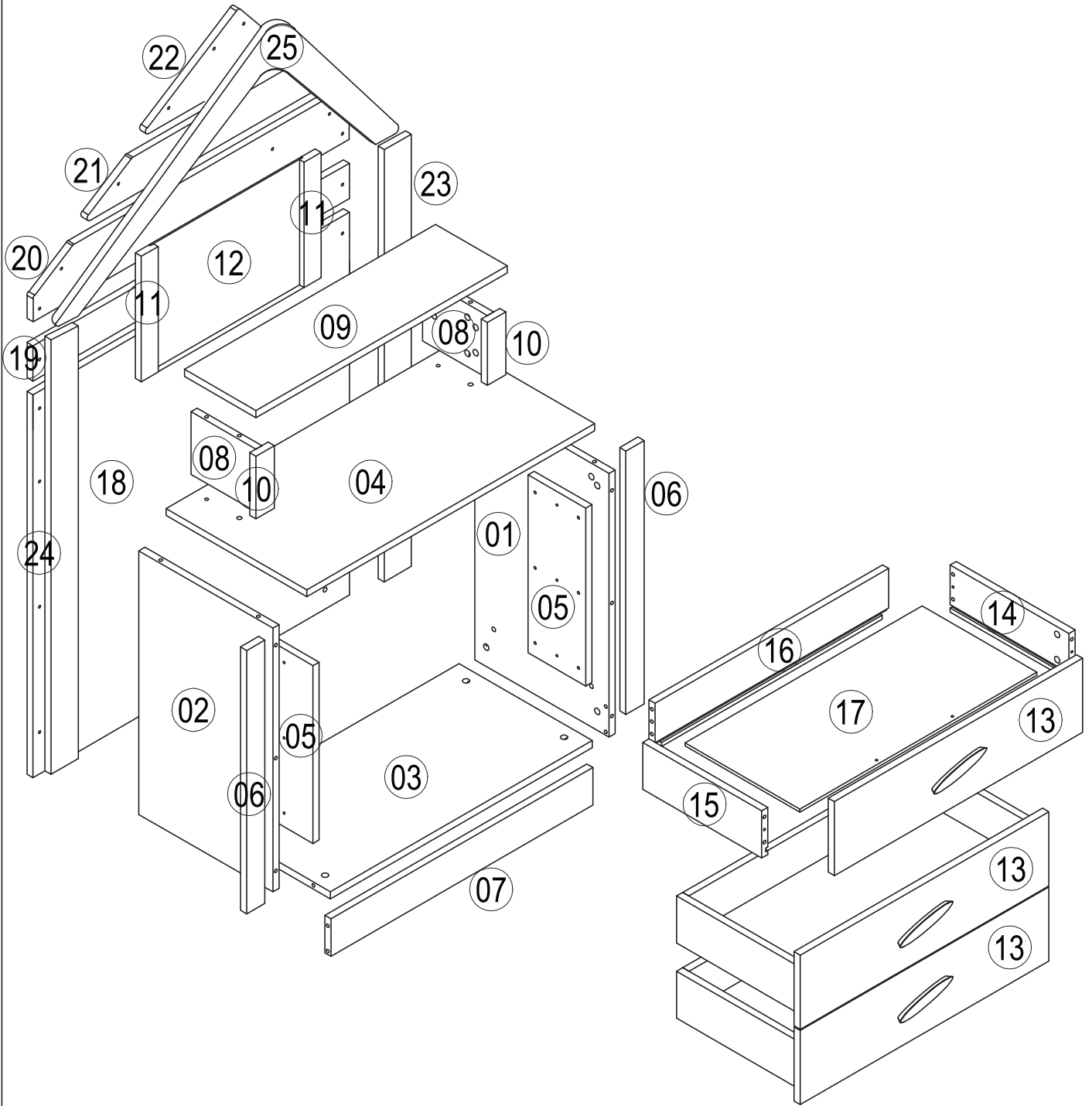
KOD : 2173
CODE : 2173



AKSESUAR LİSTESİ / ACCESSORIES LIST

<p>ACCESSORIE NO : 317 10'LUK MİNİFİX MİL</p>  <p>38 ADET</p>	<p>ACCESSORIE NO : 002 TİTUS MİNİFİX GÖVDE</p>  <p>38 ADET</p>	<p>ACCESSORIE NO : 004 Ø8x30 KAVELA</p>  <p>30 ADET</p>	<p>ACCESSORIE NO : 020 MİNİFİX TAPA BEYAZ</p>  <p>22 ADET</p>	<p>ACCESSORIE NO : 105 M6*30 YSB VİDA</p>  <p>22 ADET</p>
<p>ACCESSORIE NO : 091 KABİN VİDASI (50mm)</p>  <p>4 ADET</p>	<p>ACCESSORIE NO : 120 6,3*13 MM EURO VİDA</p>  <p>18 ADET</p>	<p>ACCESSORIE NO : 406 PLS. RAF PİMİ EURO VİDALI</p>  <p>6 ADET</p>	<p>ACCESSORIE NO : 095 4*30 MM S. VİDASI</p>  <p>6 ADET</p>	<p>ACCESSORIE NO : 410 TANDEM RAY 350 (SAMET)</p>  <p>3 TAKIM</p>
<p>ACCESSORIE NO : 418 ATLAS KULP BEYAZ</p>  <p>3 ADET</p>	<p>ACCESSORIE NO : 533 3,9*28 MM PLS.VİDA</p>  <p>6 ADET</p>	<p>ACCESSORIE NO : 096 4*40 MM S. VİDASI</p>  <p>2 ADET</p>		

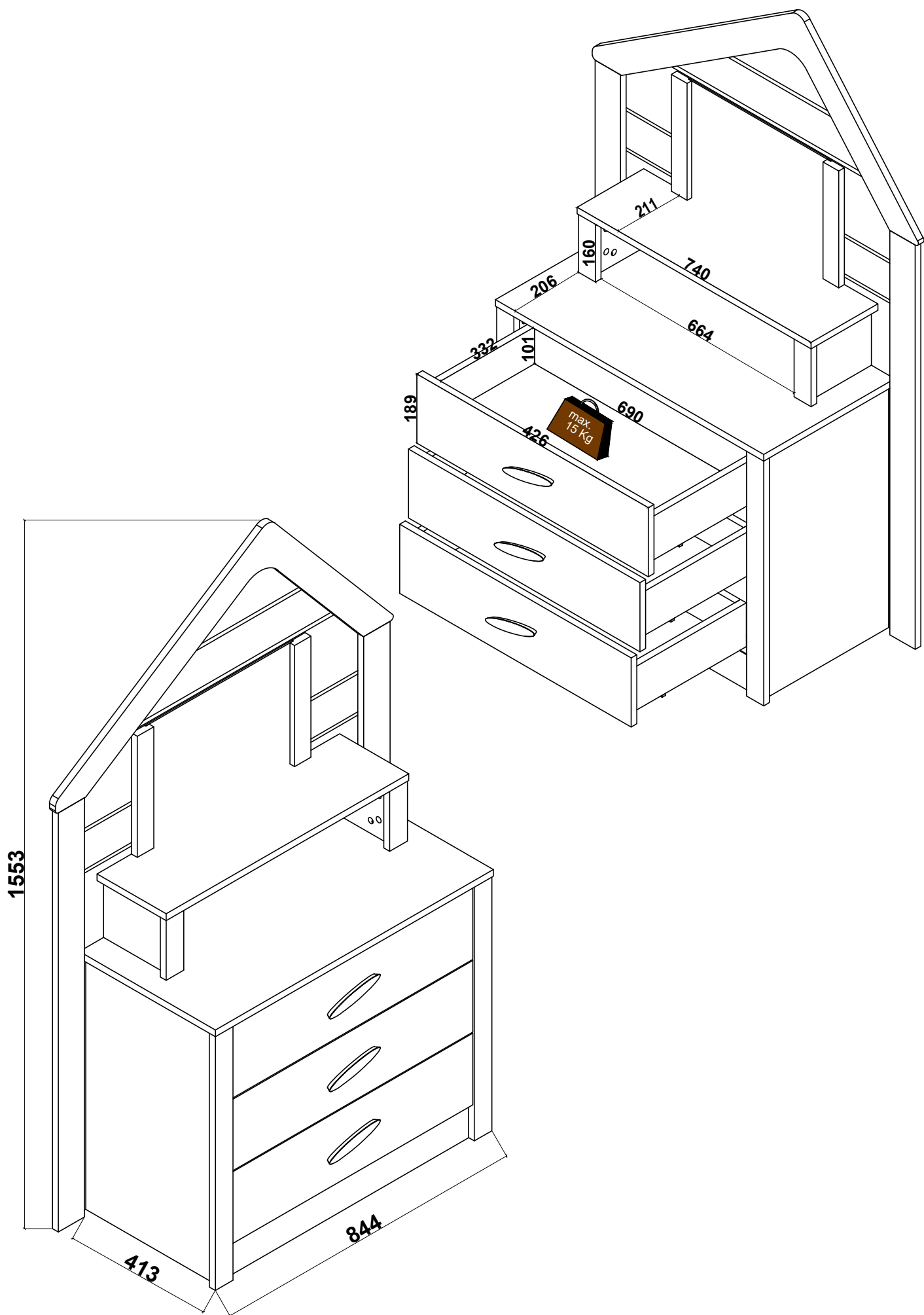
YEDEK AKSESUAR SİPARİŞLERİNİ RESME BAKARAK VERİNİZ. (Örn:ACCESSORIE.NO:008 - RAFİX MİL - 1 Ad.)
PLEASE ORDER THE ACCESSORIES ACCORDING TO THE REFERENCE NUMBER ON THE DRAWING(EXAMPLE ACCESSORIE NO-008 RAFIX MIL 1.PCS.)



FR-002

NO	ADET/PCS	ÖLÇÜ/DIMENSIONS	NO	ADET/PCS	ÖLÇÜ/DIMENSIONS	NO	ADET/PCS	ÖLÇÜ/DIMENSIONS
01	1	673 x 395	11	2	320 x 50	21	1	706 x 105
02	1	673 x 395	12	1	450 x 320	22	1	430 x 192
03	1	772 x 393	13	3	732 x 189	23	1	1107 x 80
04	1	848 x 415	14	3	350 x 120	24	1	1107 x 80
05	2	454 x 170	15	3	350 x 120	25	1	1033 x 450
06	2	672 x 54	16	3	690 x 120			
07	1	772 x 96	17	3	700 x 337			
08	2	191 x 160	18	1	932 x 890			
09	1	740 x 211	19	1	932 x 100			
10	2	160 x 54	20	1	932 x 184			

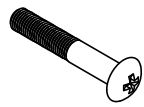
YEDEK PARÇA SİPARİŞLERİNİ RESME BAKARAK PARÇA NUMARASINA GÖRE VERİNİZ
PLEASE ORDER THE SPARE PARTS ACCORDING TO THE REFERENCE NUMBER ON THE DRAWING



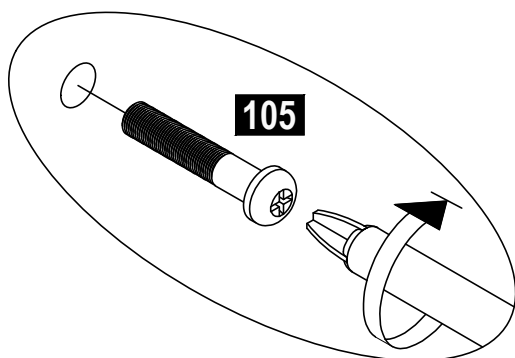
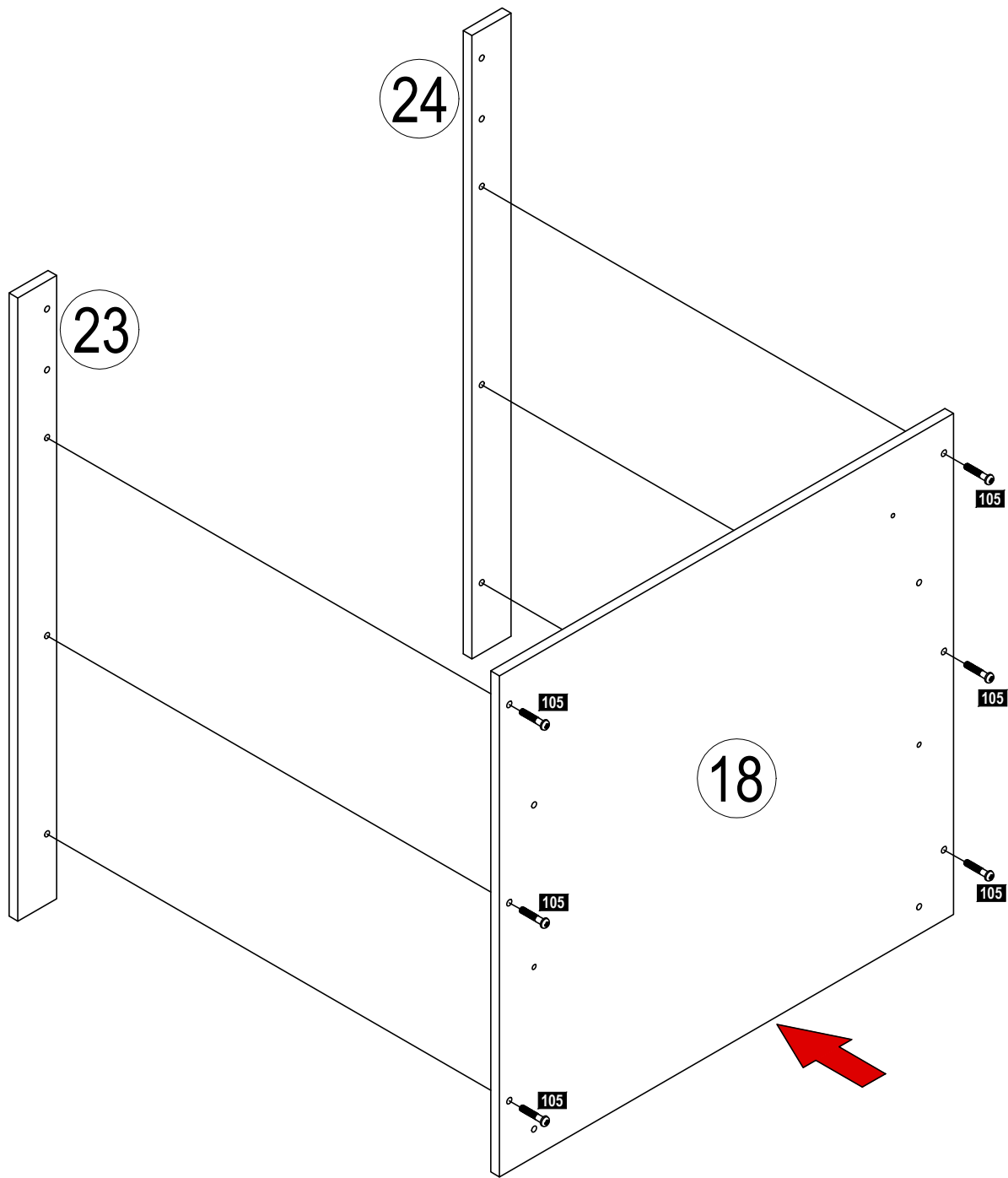
1

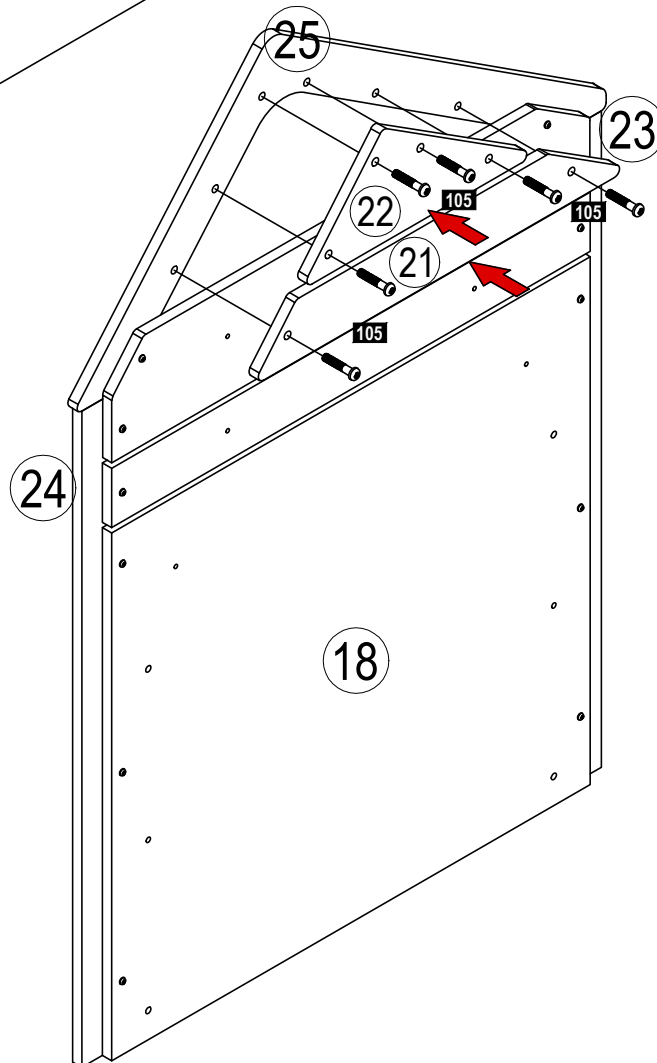
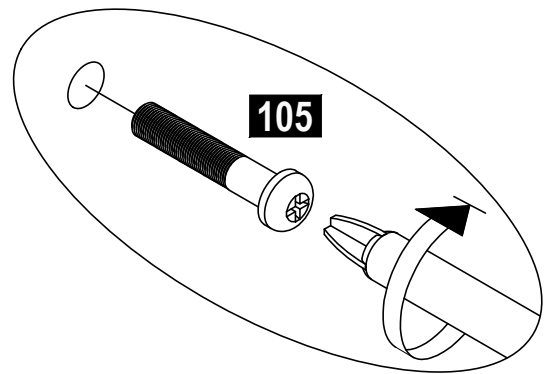
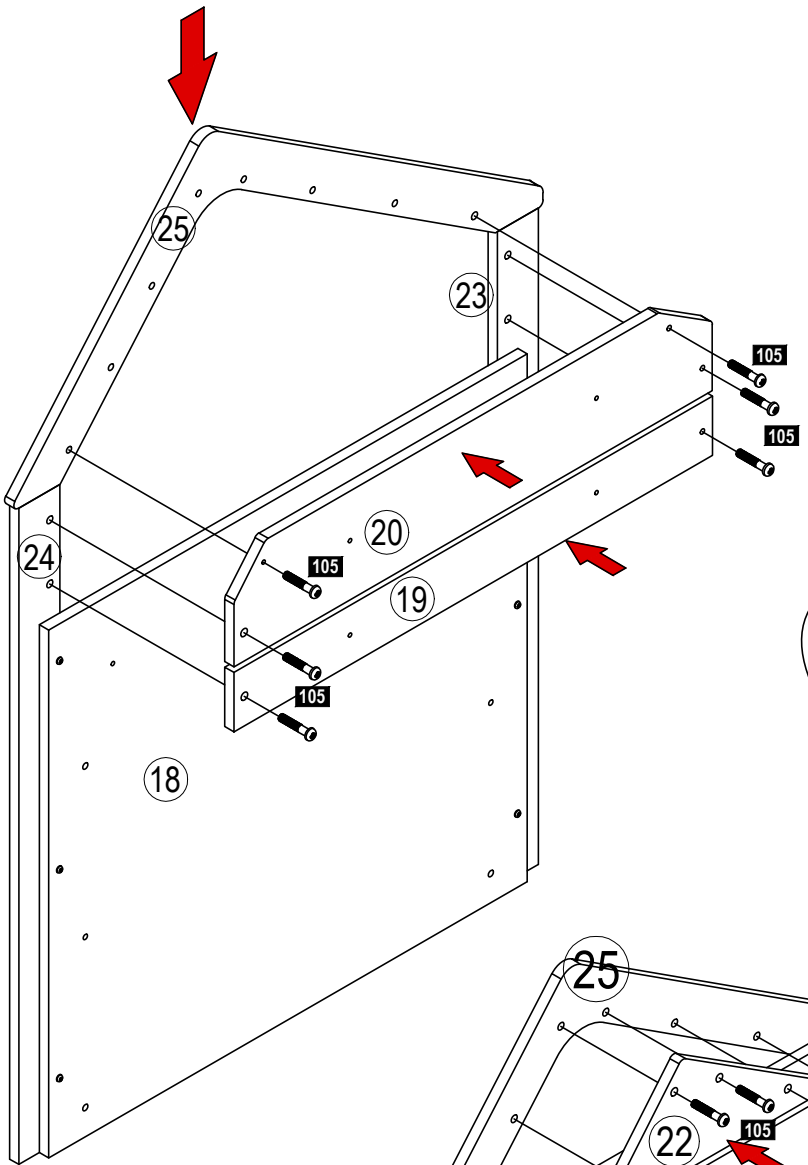
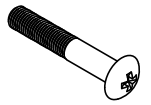
2173

105

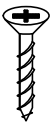


6x





095



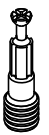
6x

002



4x

317

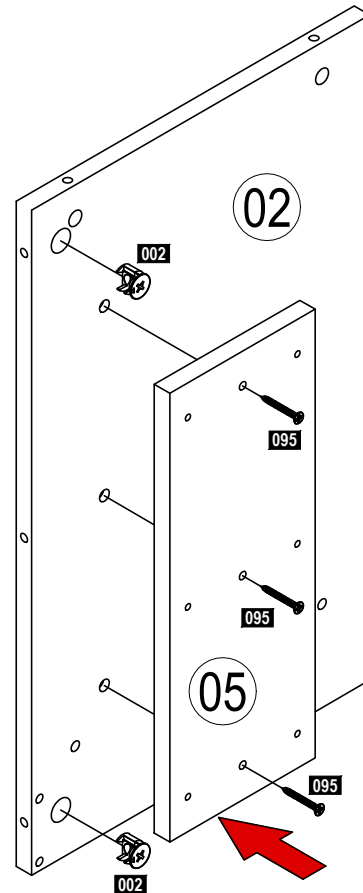
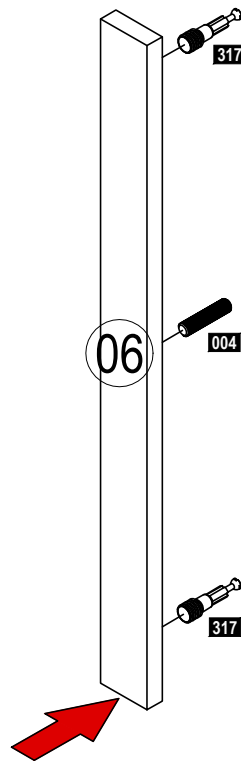
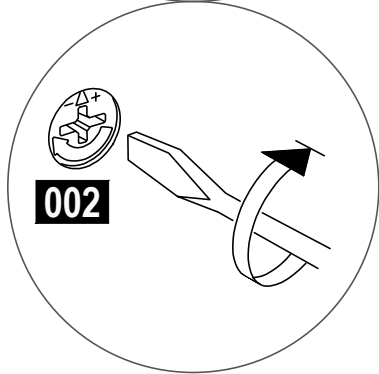
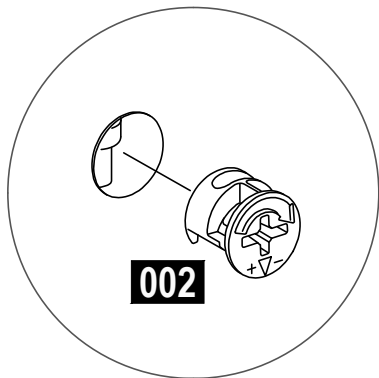
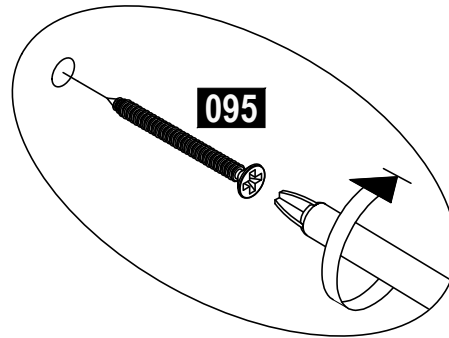
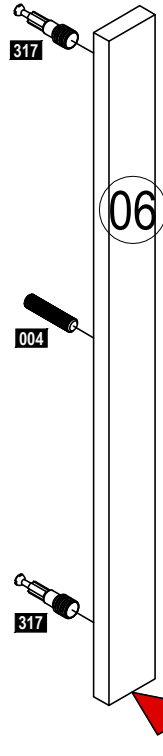
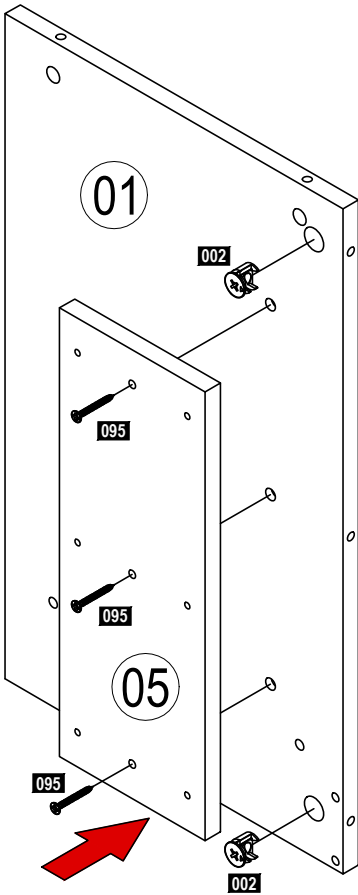


4x

004



2x

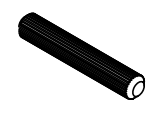




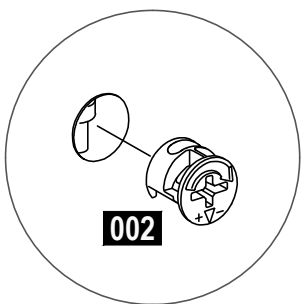
4x



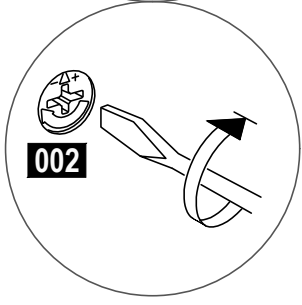
4x



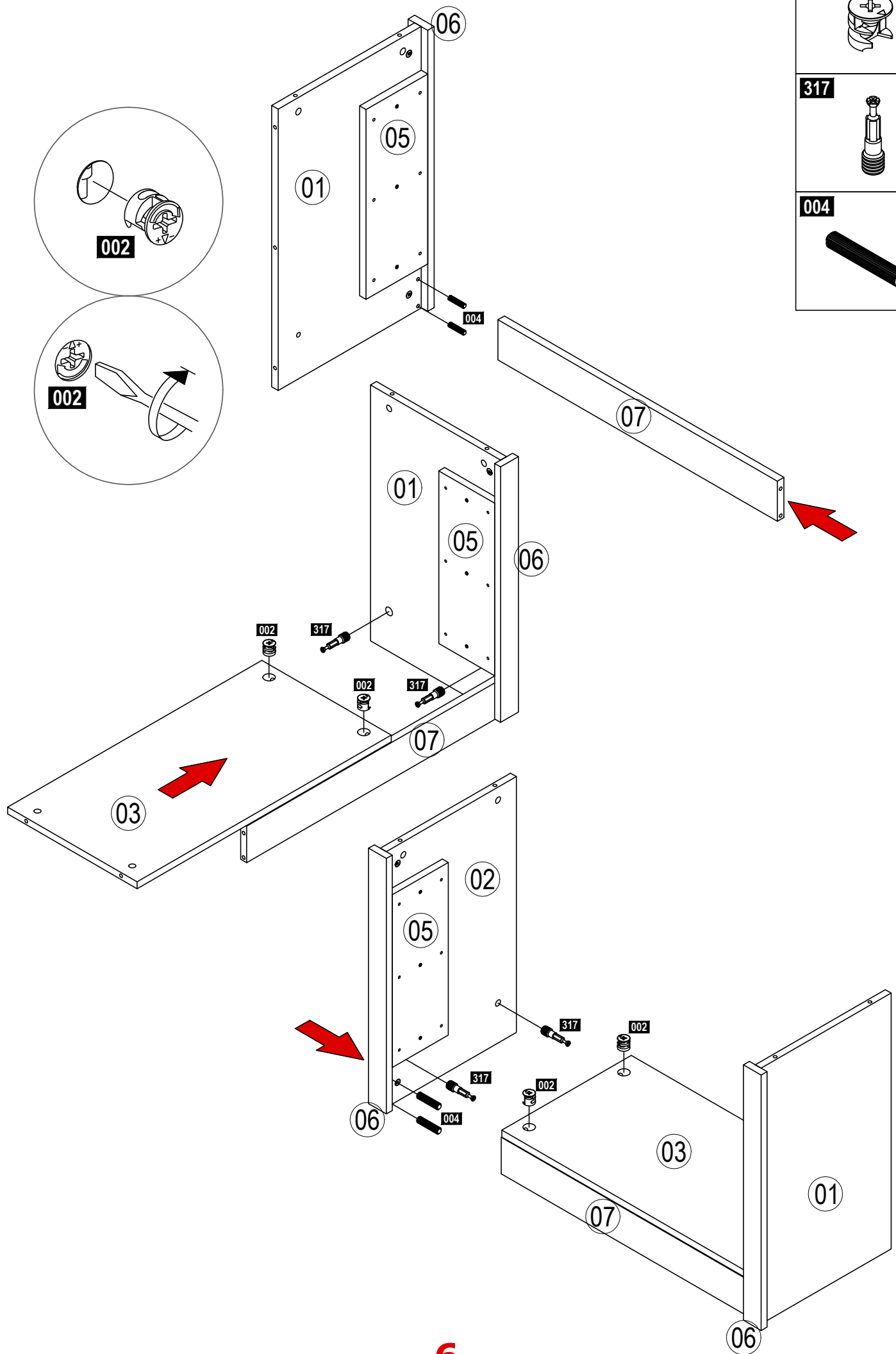
4x



002

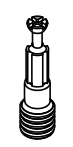


002

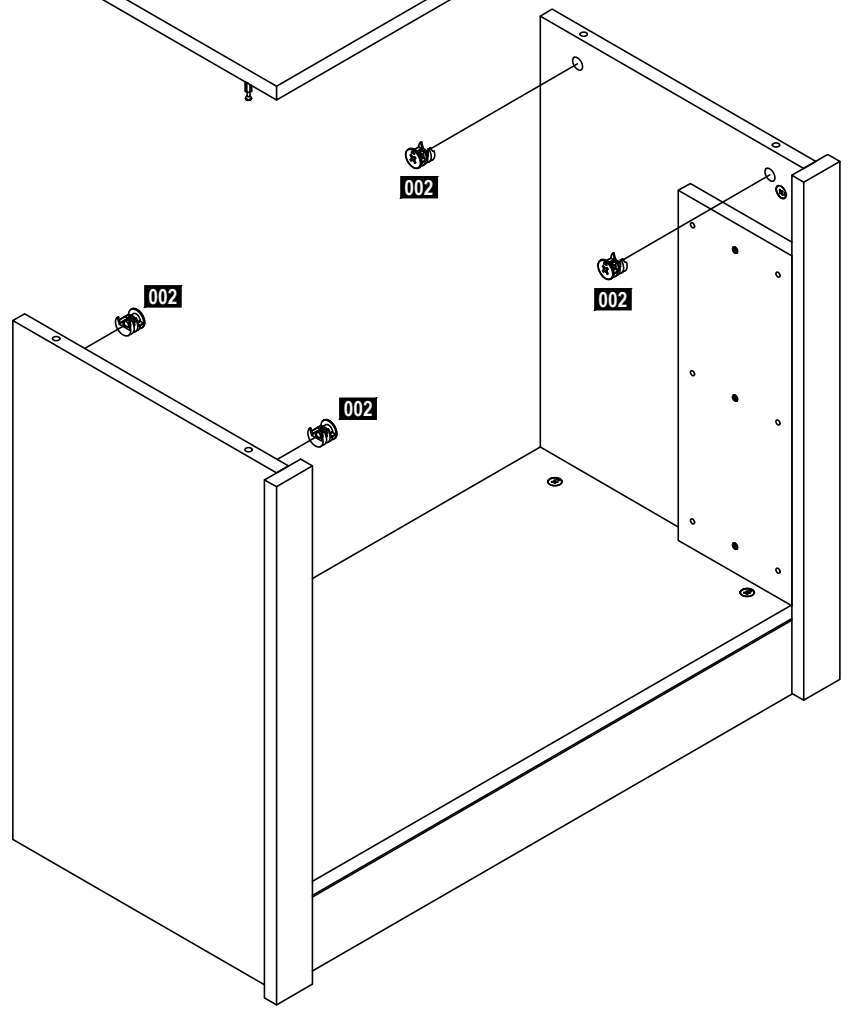
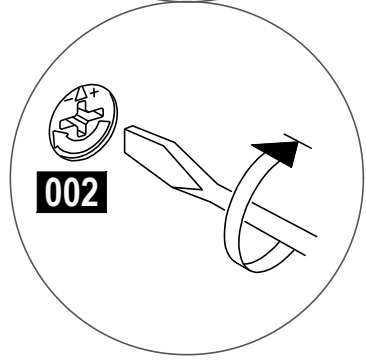
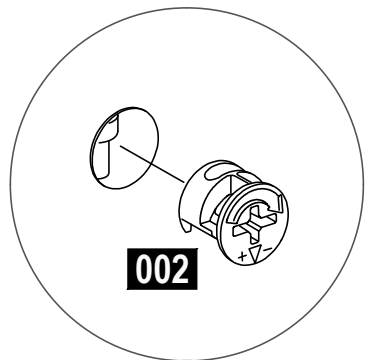
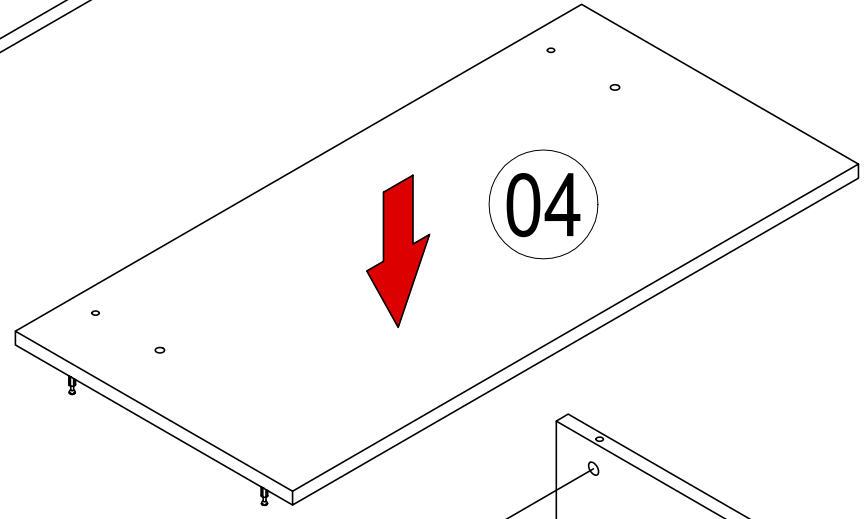
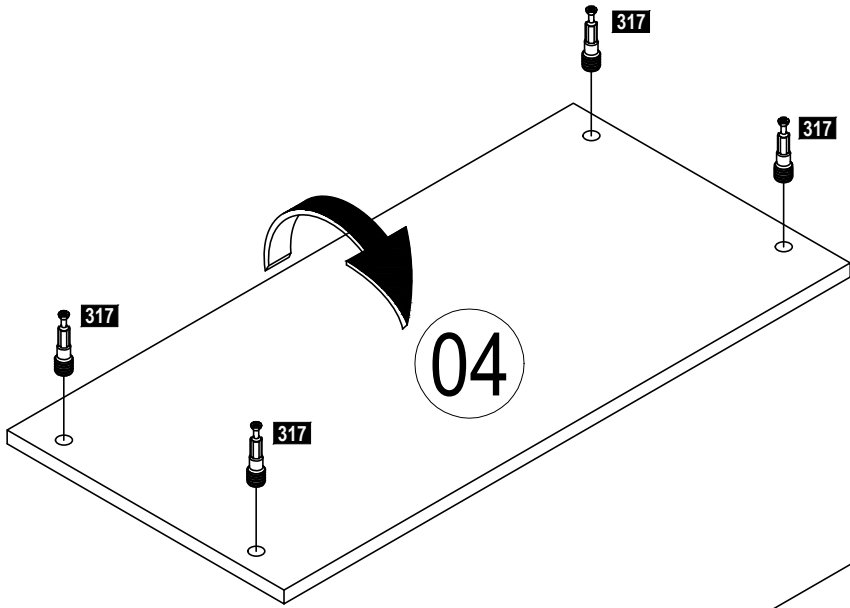




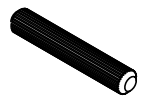
4x



4x



004

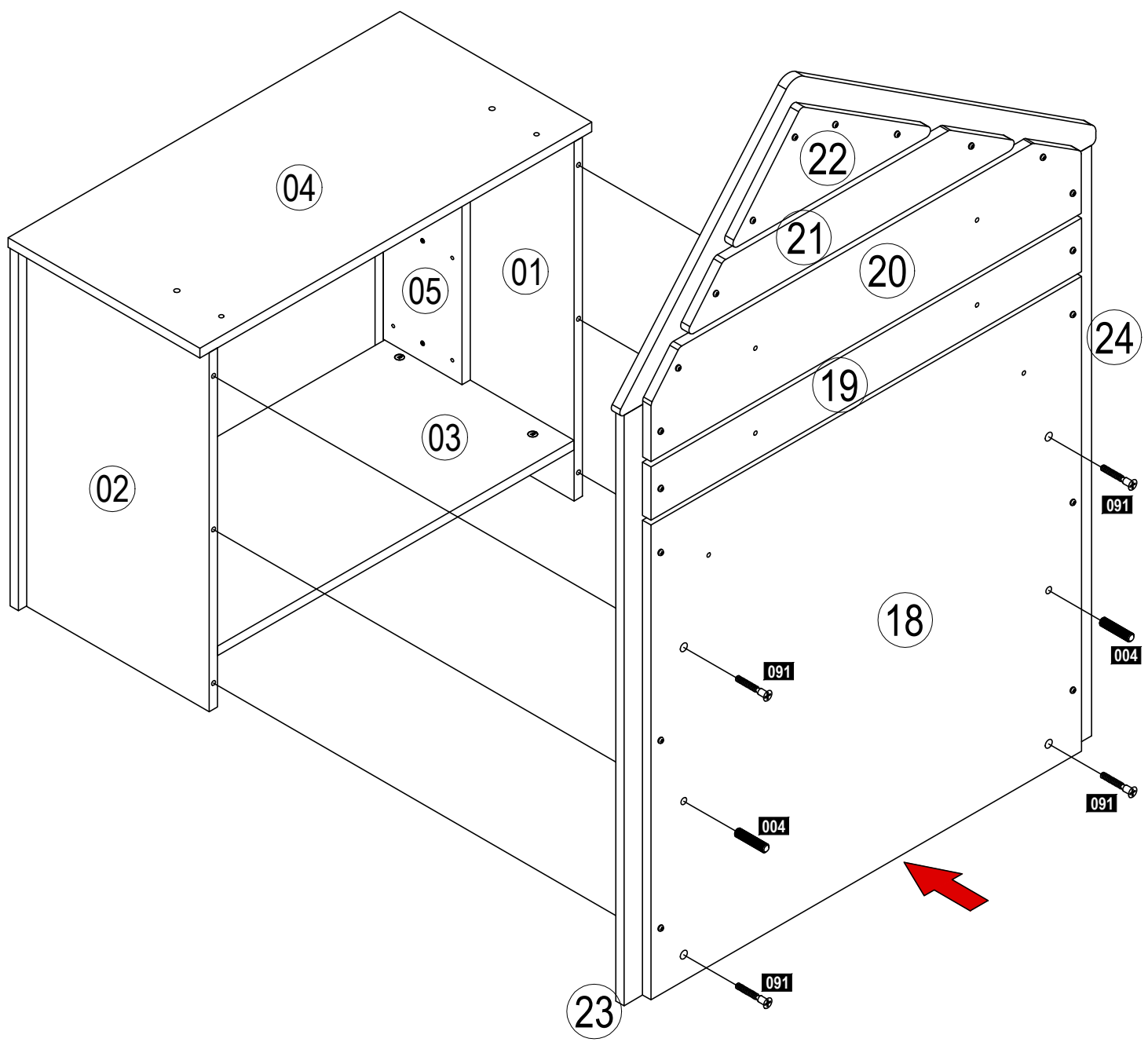
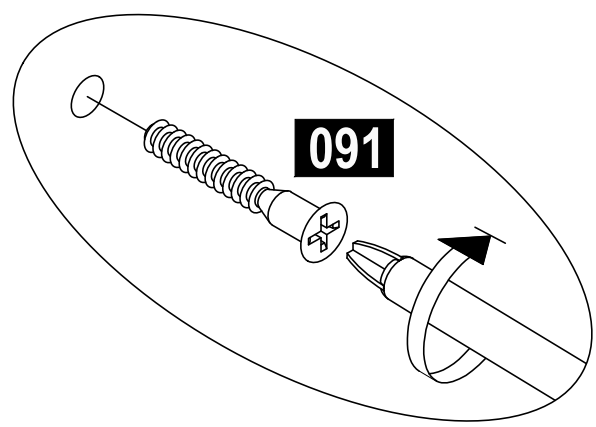


2x

091



4x



002



6x

317



6x

004



2x

096

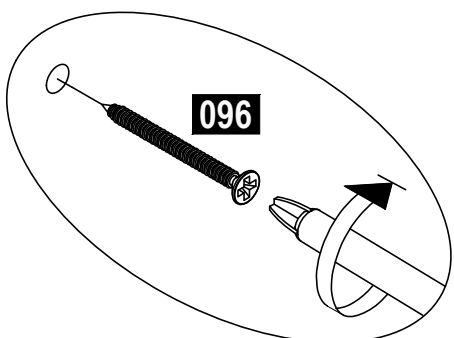
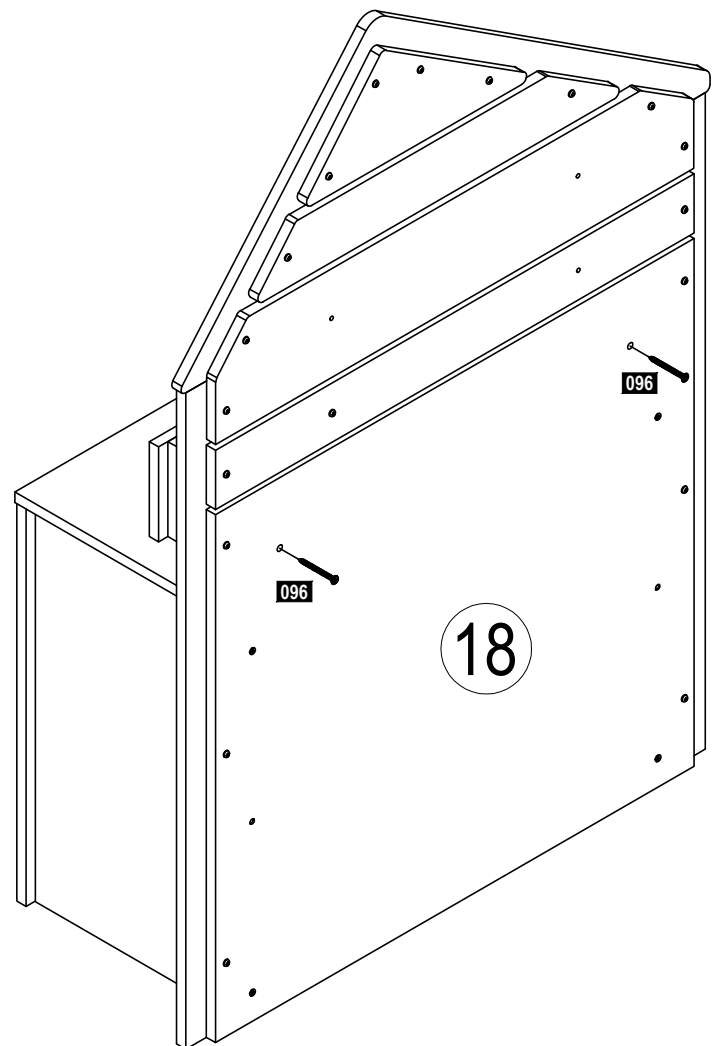
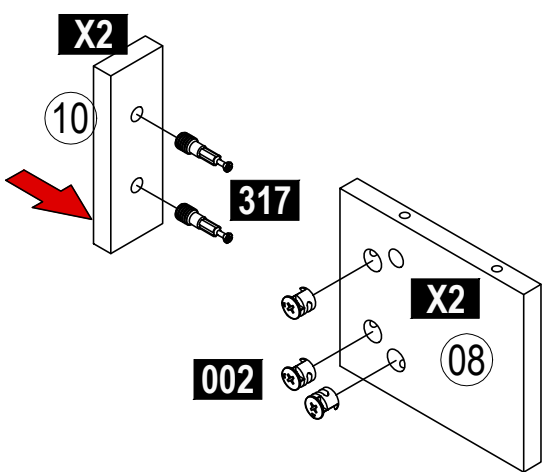
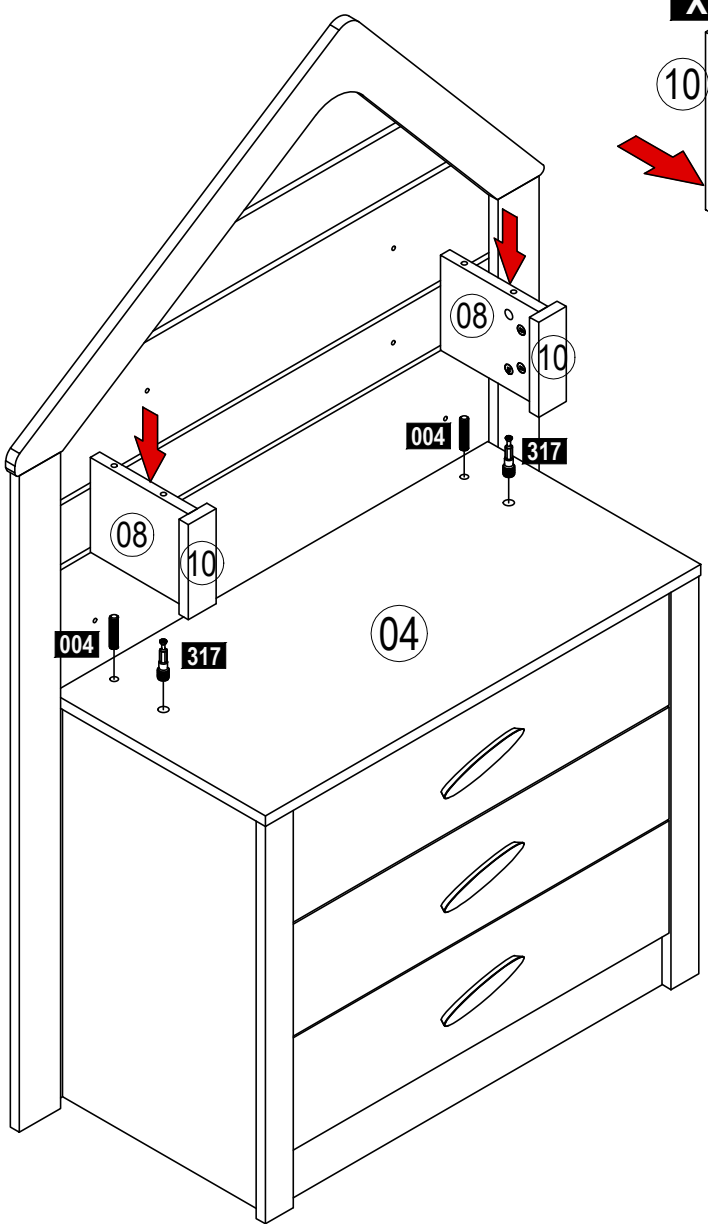
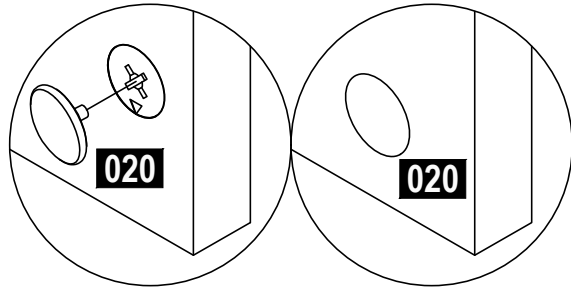
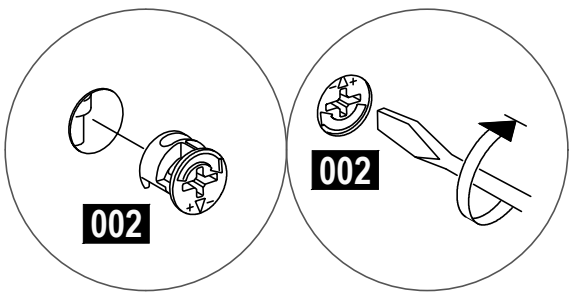


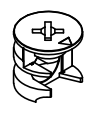
2x

020



6x

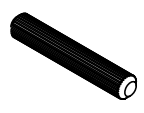




2x



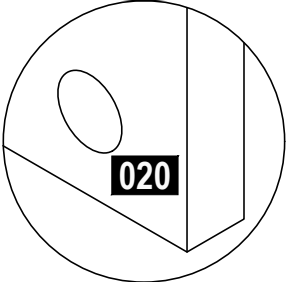
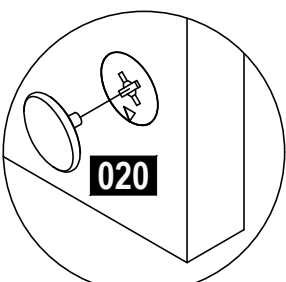
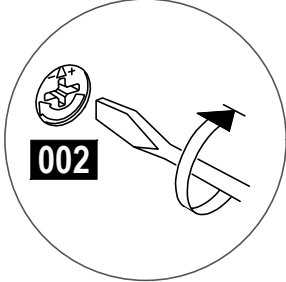
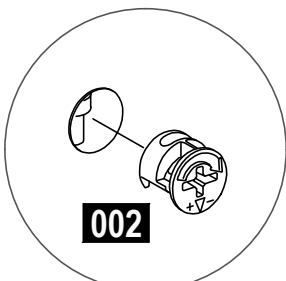
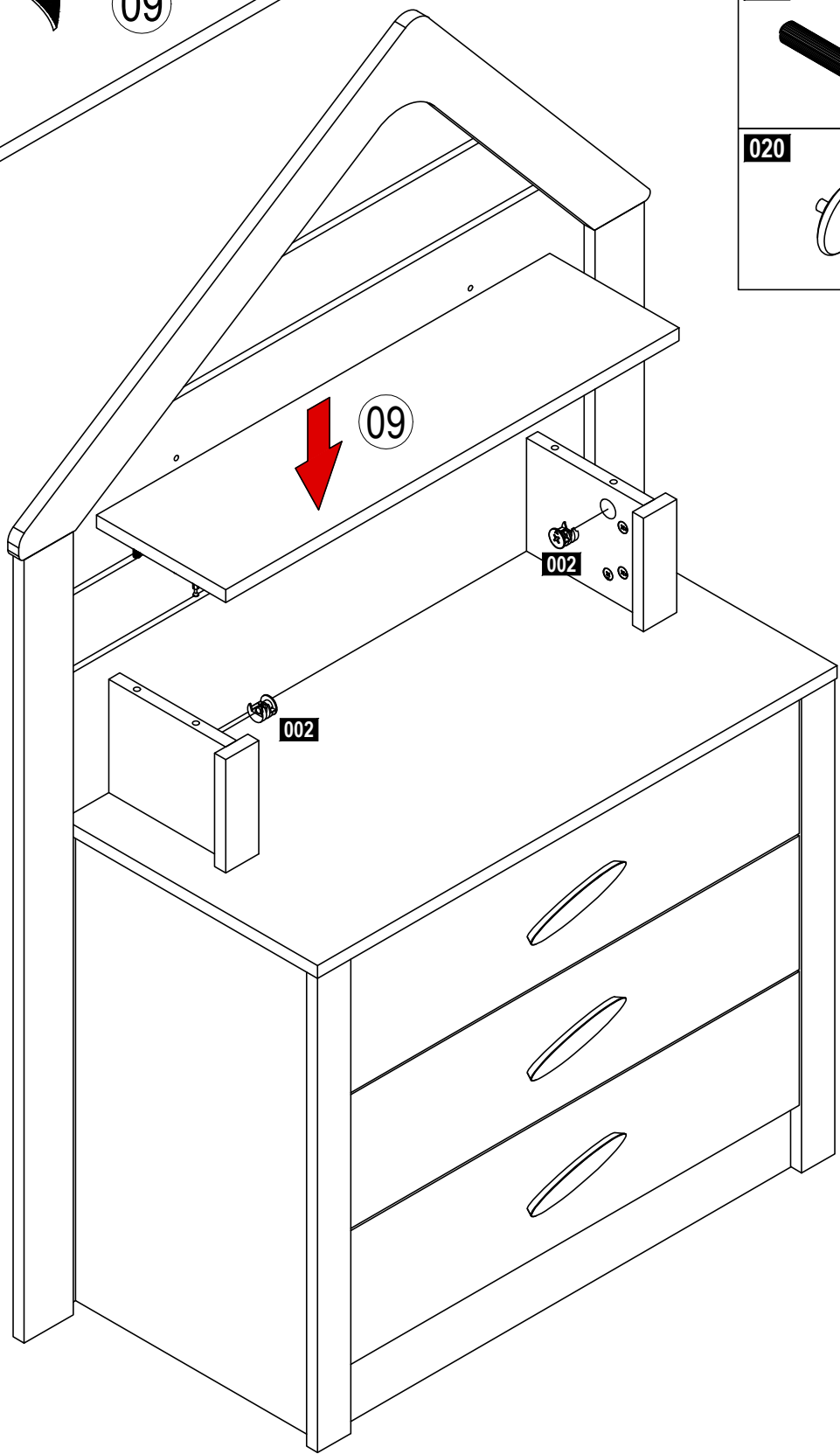
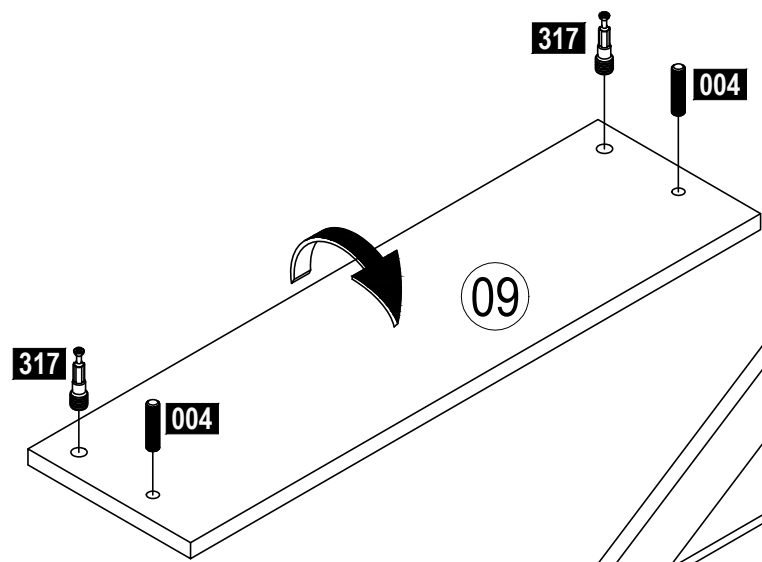
2x

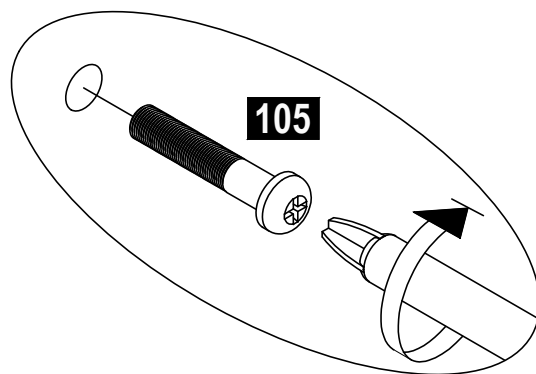
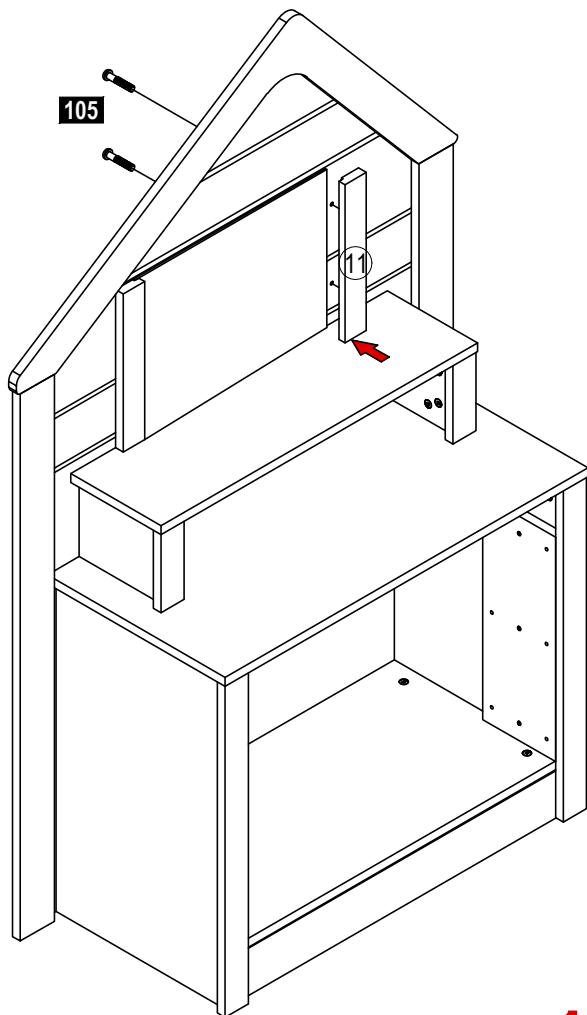
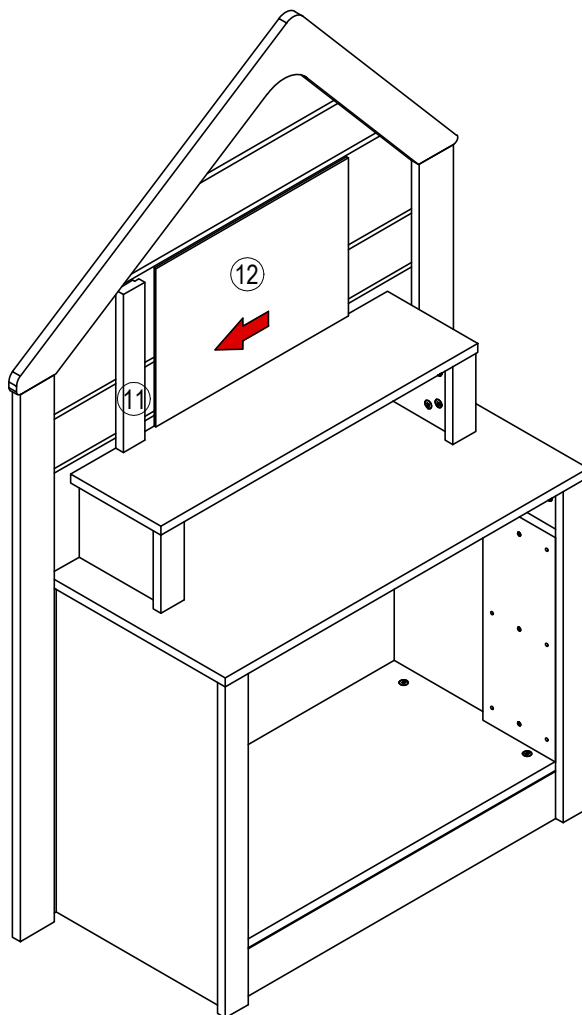
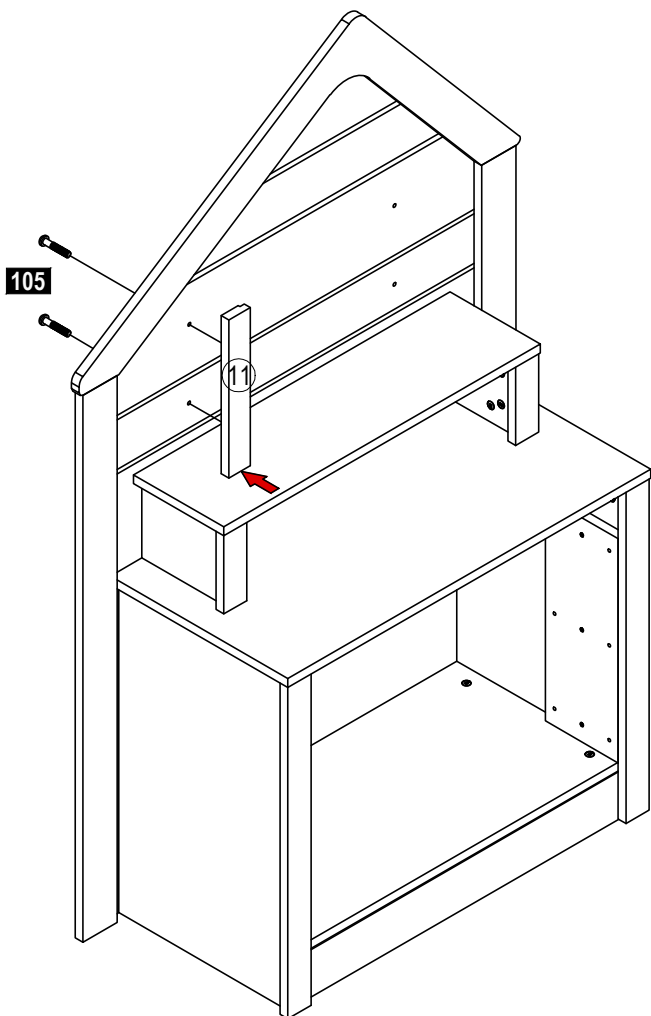
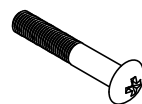


2x






2x

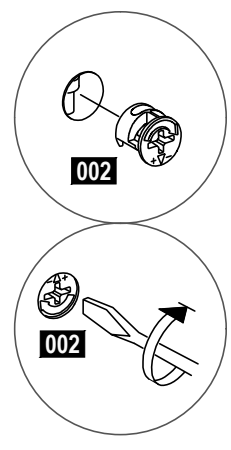
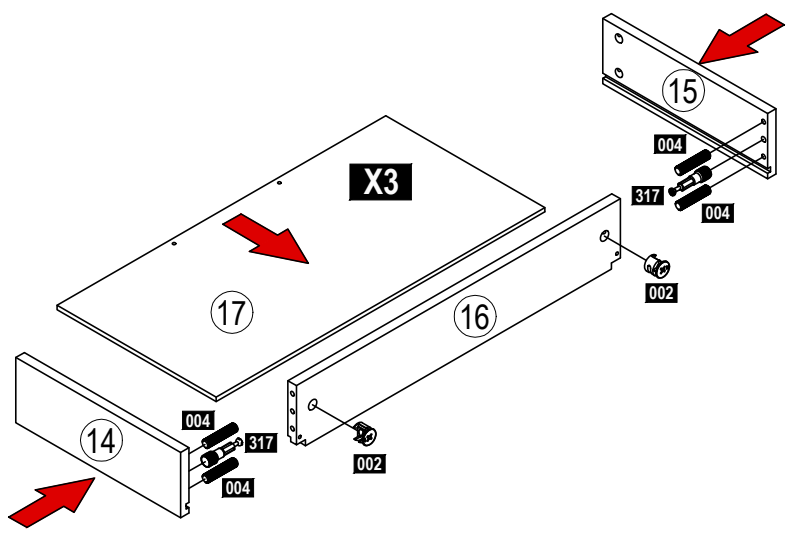






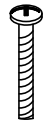



10

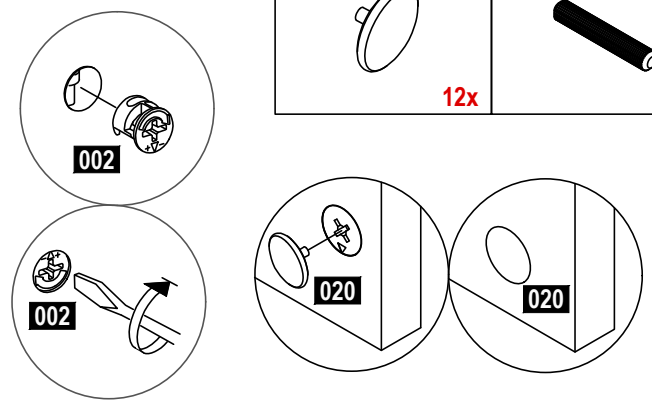
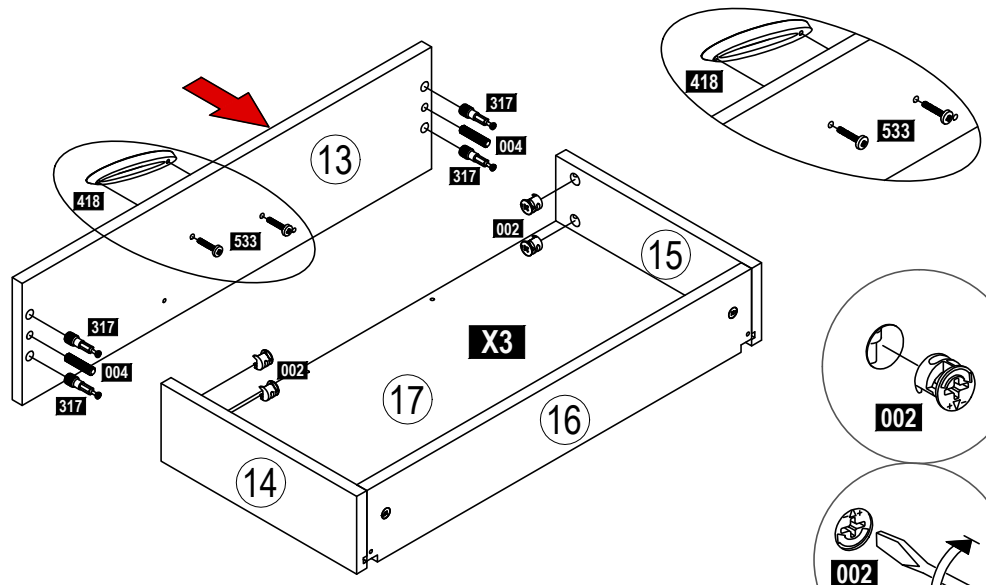
2173

- 002  6x
- 317  6x
- 004  12x





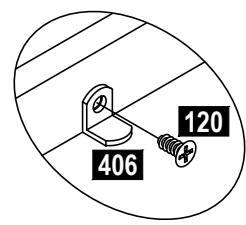
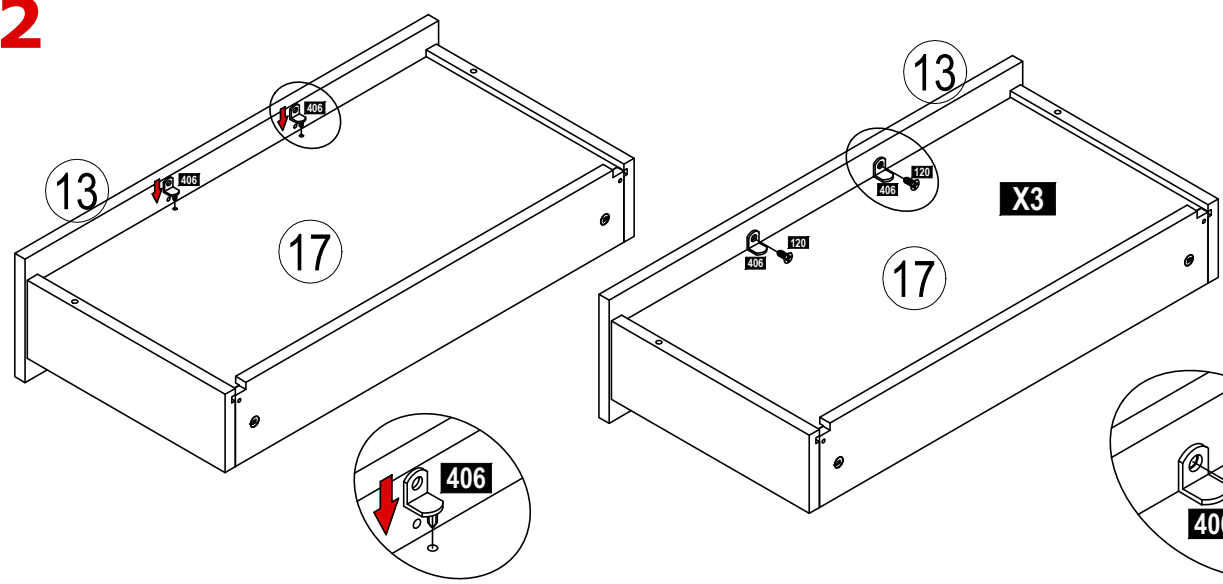
11

- 418  3x
- 002  12x
- 533  6x
- 317  12x
- 020  12x
- 004  6x

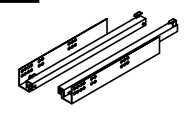


12

- 406  6x
- 120  6x



410

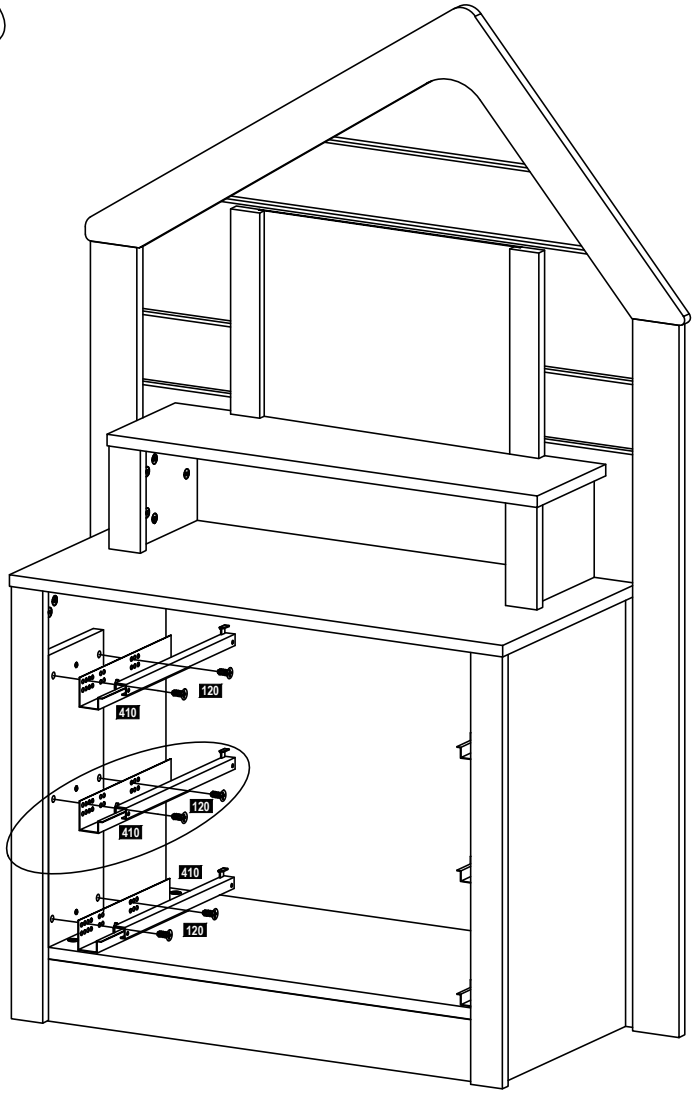
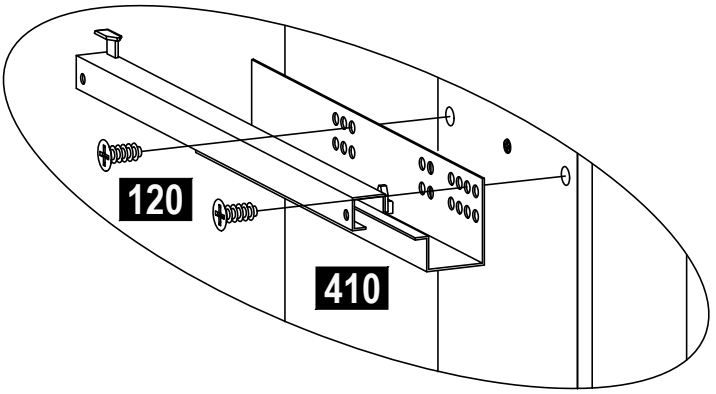
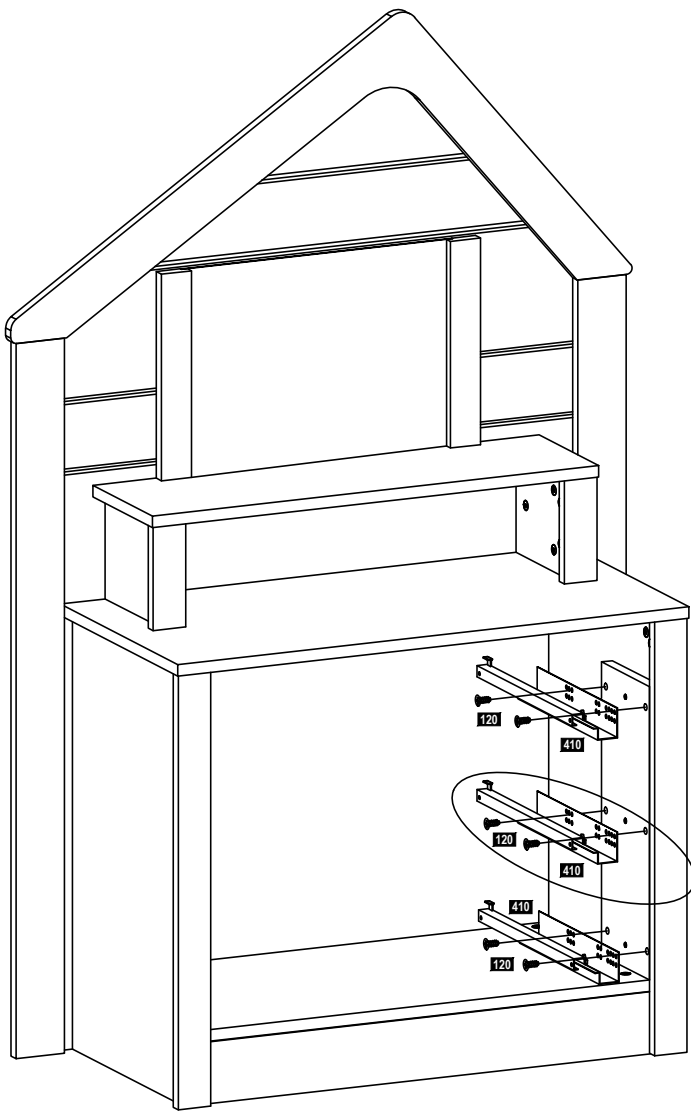


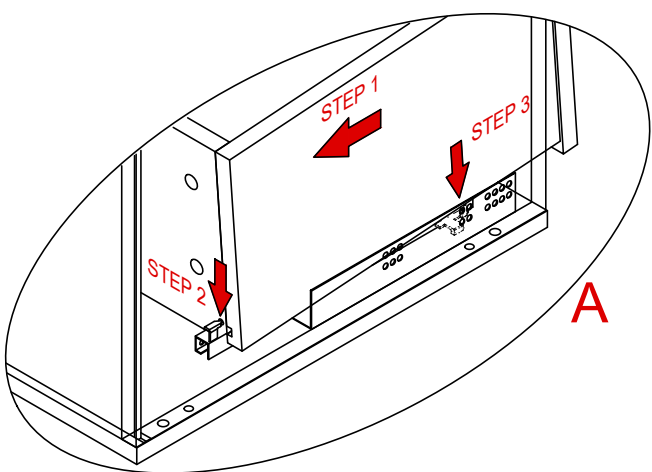
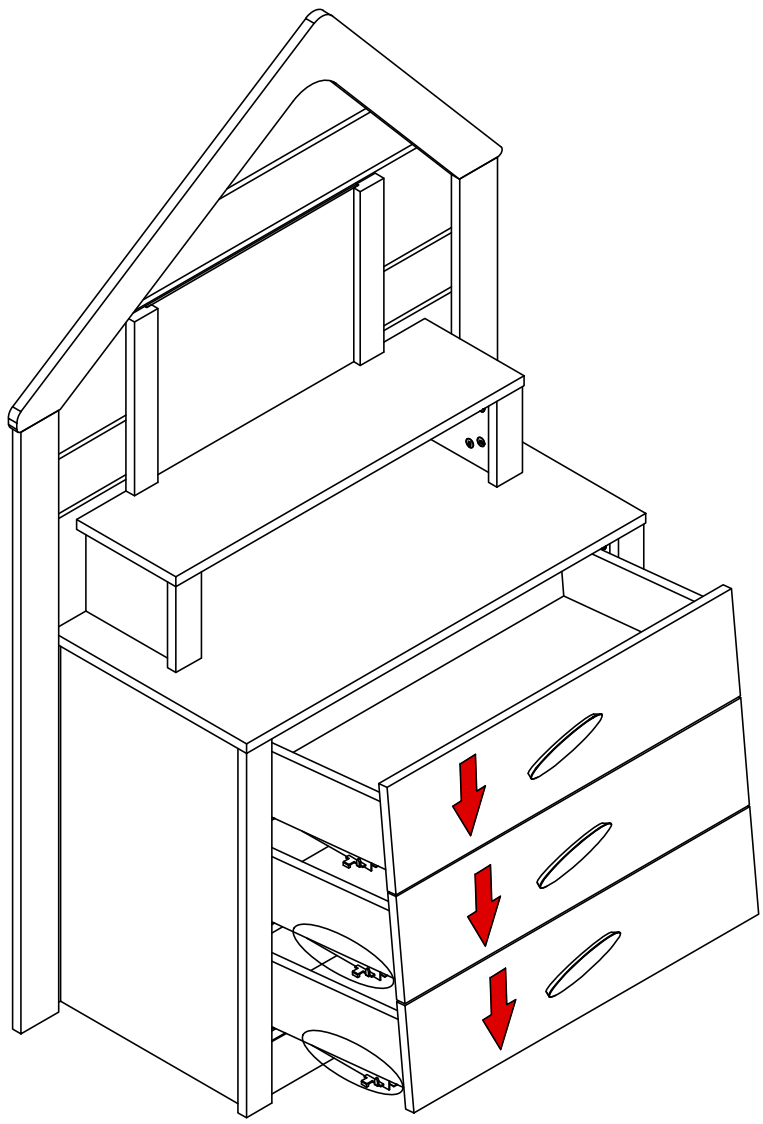
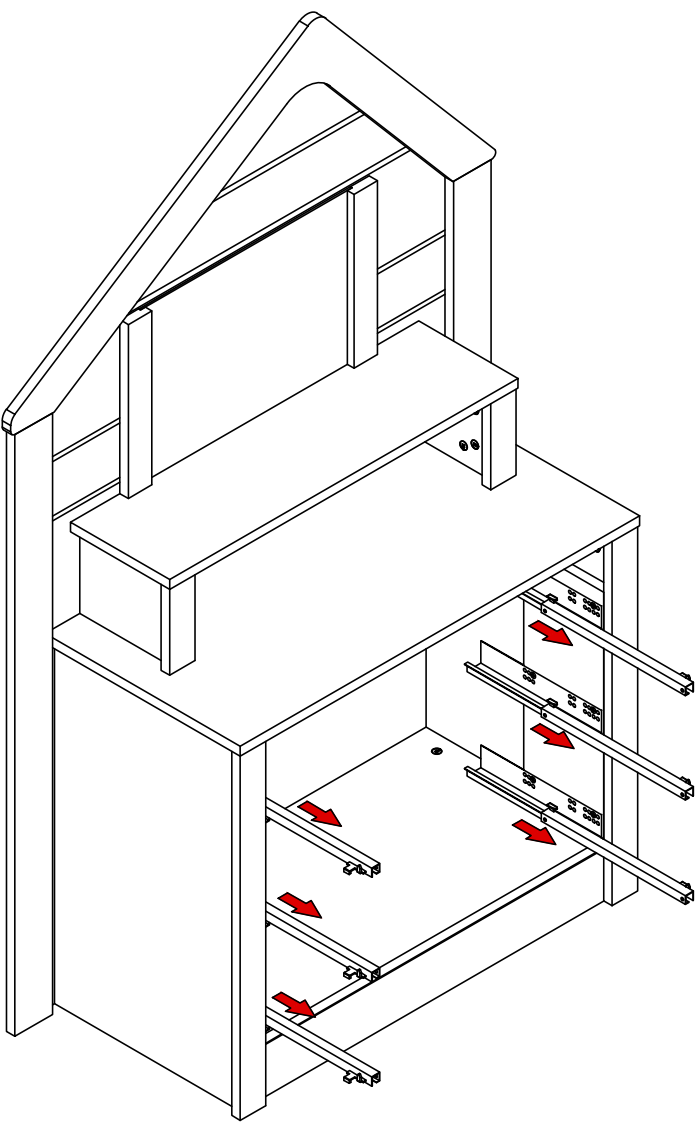
3x

120



12x





A

STEP 2-3

STEP 4

STEP 5

STEP 6

