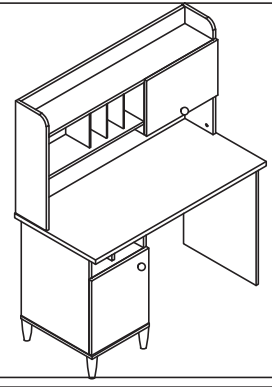




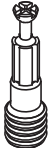
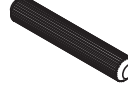

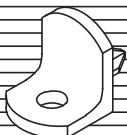
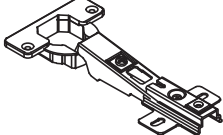
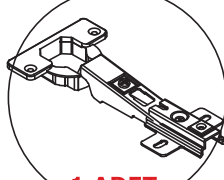




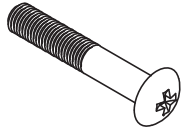


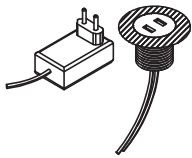
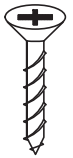

caploonba

GRUP : POLLINA
GROUP : POLLINA
ÜRÜN : ÇALIŞMA MASASI
PRODUCT : WORKTABLE
RENK : DOĞAL HUŞ&PEMBE
COLOUR : NATURAL BIRCH&PINK

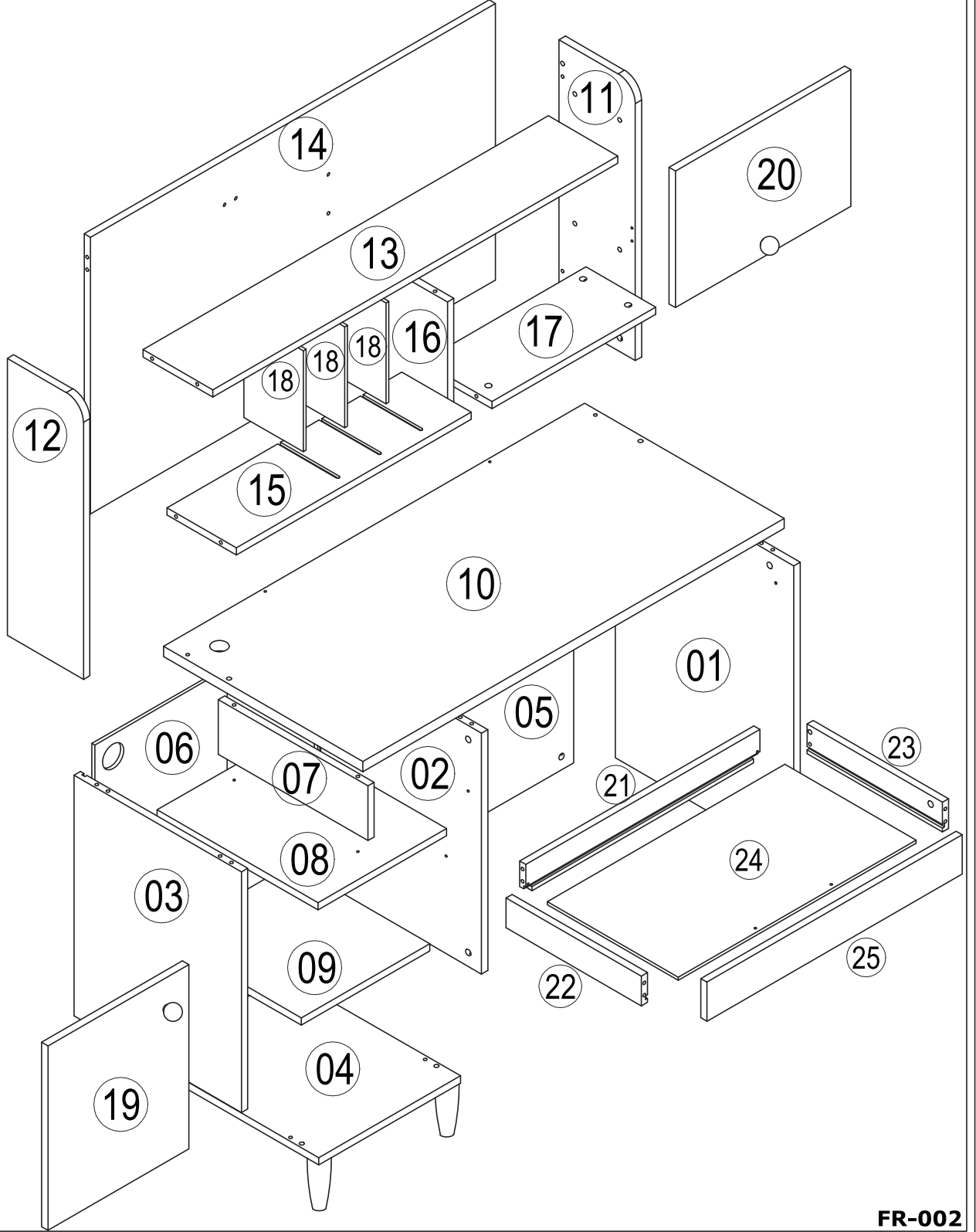
KOD : 466912
CODE : 466912



AKSESUAR LİSTESİ / ACCESSORIES LIST

<p>ACCESSORIE NO : 002 TİTUS MİNİFİX GÖVDE</p>  <p>39 ADET</p>	<p>ACCESSORIE NO : 001 MİNİFİX MİL 6 MM</p>  <p>12 ADET</p>	<p>ACCESSORIE NO : 317 10'LUK MİNİFİX MİL</p>  <p>27 ADET</p>	<p>ACCESSORIE NO : 004 Ø8x30 KAVELA</p>  <p>29 ADET</p>	<p>ACCESSORIE NO : 020 MİNİFİX TAPA BEYAZ</p>  <p>20 ADET</p>
<p>ACCESSORIE NO : 351 TANDEM RAY 400 (SAMET)</p>  <p>1 TAKIM</p>	<p>ACCESSORIE NO : 120 6.3*13 MM EURO VİDA</p>  <p>14 ADET</p>	<p>ACCESSORIE NO : 406 PLS. RAF PİMİ EURO VİDALI</p>  <p>10 ADET</p>	<p>ACCESSORIE NO : 021 DÜZ MENTEŞE</p>  <p>3 ADET</p>	<p>ACCESSORIE NO : 182 FRENLİ DÜZ MENTEŞE</p>  <p>1 ADET</p>
<p>ACCESSORIE NO : 098 4*50 S. VİDASI</p>  <p>2 ADET</p>	<p>ACCESSORIE NO : 091 KABİN VİDASI (50mm)</p>  <p>3 ADET</p>	<p>ACCESSORIE NO : 011 ARKALIK SABİTLEME 3.5x25 S.VİDASI</p>  <p>4 ADET</p>	<p>ACCESSORIE NO : 231 PİSTON</p>  <p>1 TAKIM</p>	<p>ACCESSORIE NO : 092 4*18 MM S. VİDASI</p>  <p>16 ADET</p>
<p>ACCESSORIE NO : 299 M6*25 VİDA</p>  <p>4 ADET</p>	<p>ACCESSORIE NO : 524 ARDIÇ AYAK PEMBE</p>  <p>4 ADET</p>	<p>ACCESSORIE NO : 574 TOPUZ KULP</p>  <p>2 ADET</p>	<p>ACCESSORIE NO : 104 M4*25 MM VİDA</p>  <p>2 ADET</p>	<p>ACCESSORIE NO : 575 USB APARATI ÇAP 28 MM BEYAZ</p>  <p>1 TAKIM</p>
<p>ACCESSORIE NO : 095 4*30 MM S. VİDASI</p>  <p>12 ADET</p>				<p>ACCESSORIE NO : 106 3*16 MM S. VİDASI</p>  <p>2 ADET</p>

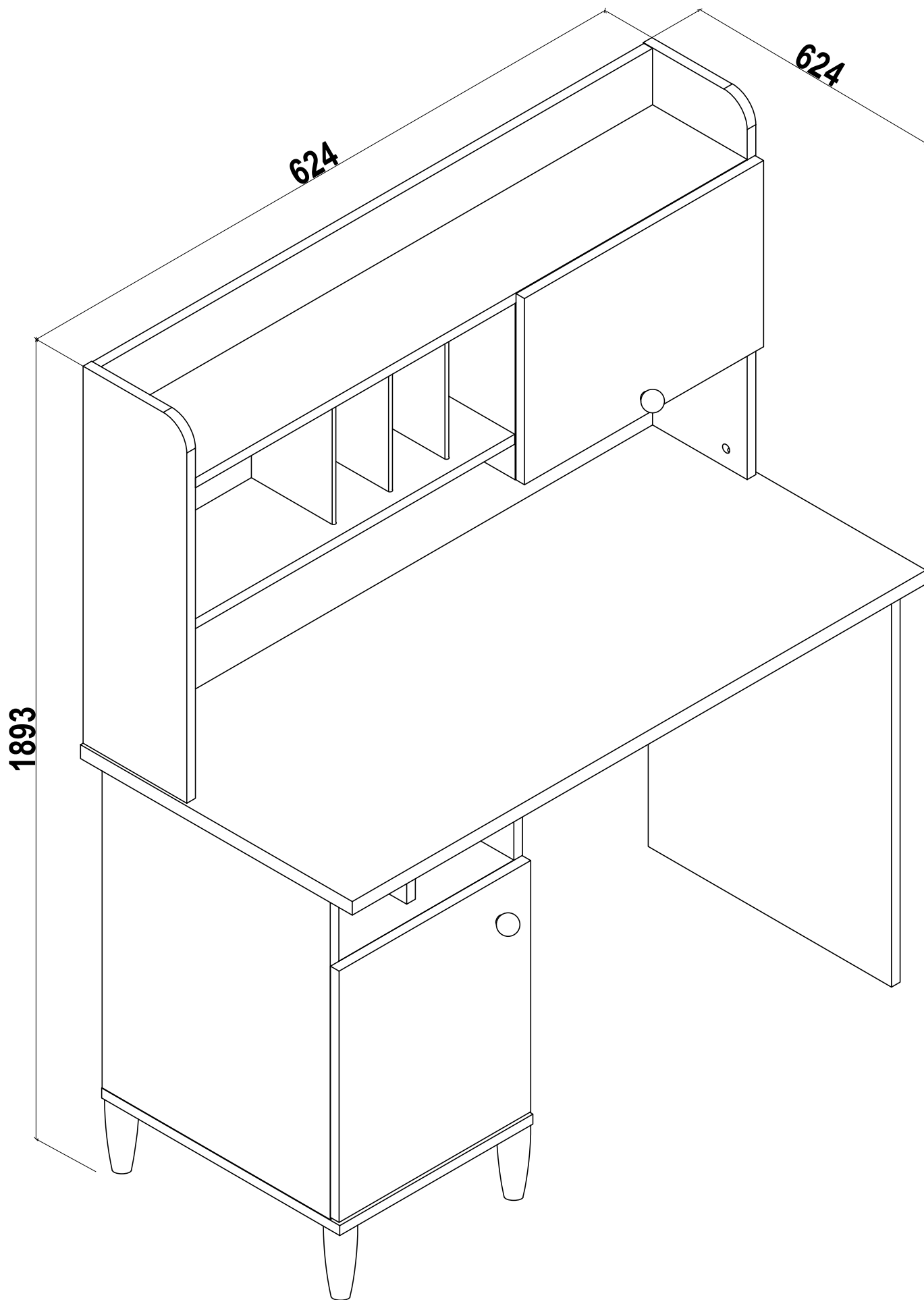
YEDEK AKSESUAR SİPARİŞLERİNİ RESME BAKARAK VERİNİZ. (Örn:ACCESSORIE.NO:008 - RAFİX MİL - 1 Ad.)
PLEASE ORDER THE ACCESSORIES ACCORDING TO THE REFERENCE NUMBER ON THE DRAWING(EXAMPLE ACCESSORIE NO-008 RAFIX MIL 1.PCS.)

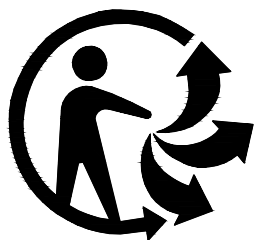
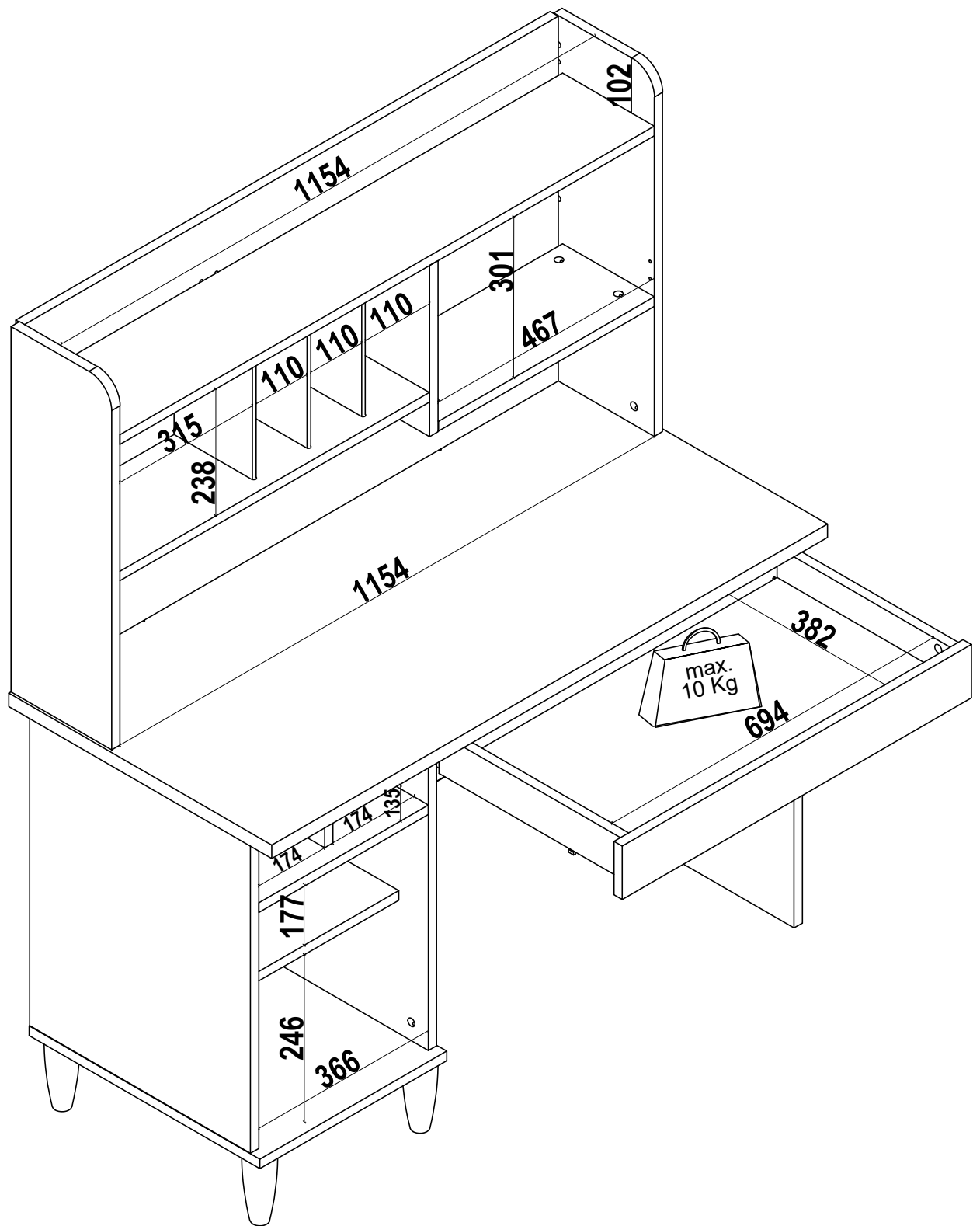


FR-002

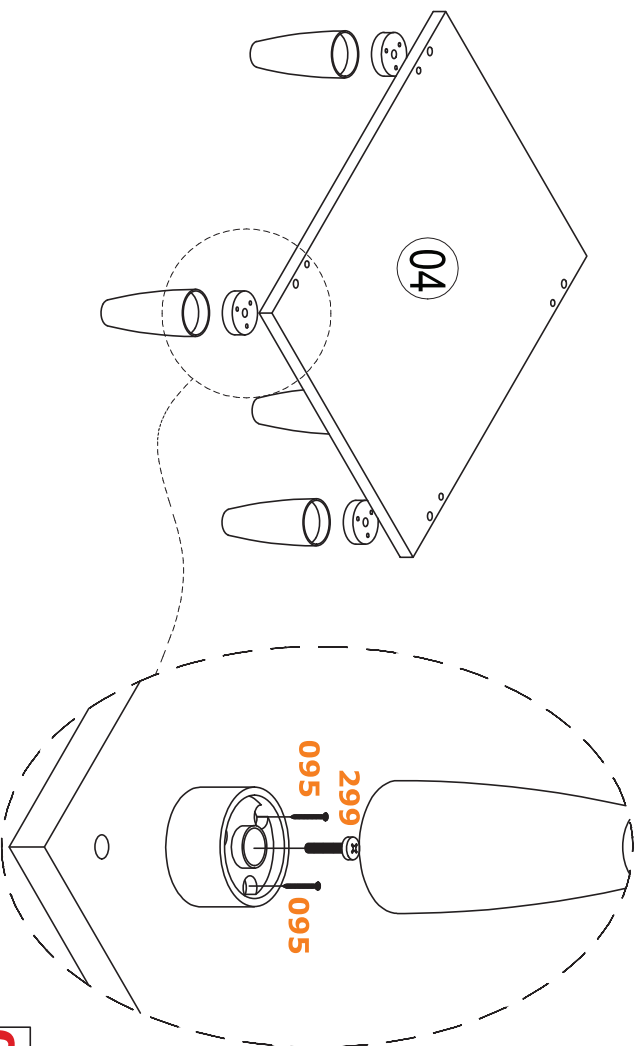
NO	ADET/PCS	ÖLÇÜ/DIMENSIONS	NO	ADET/PCS	ÖLÇÜ/DIMENSIONS	NO	ADET/PCS	ÖLÇÜ/DIMENSIONS
01	1	733 X 509	11	1	684 X 218	21	1	694 X 76
02	1	594 X 477	12	1	684 X 218	22	1	400 X 76
03	1	594 X 477	13	1	1154 X 198	23	1	400 X 76
04	1	498 X 404	14	1	1154 X 682	24	1	704 X 387
05	1	740 X 352	15	1	669 X 197	25	1	754 X 100
06	1	594 X 377	16	1	320 X 198			
07	1	426 X 135	17	1	467 X 198			
08	1	394 X 366	18	3	249 X 169			
09	1	458 X 366	19	1	455 X 401			
10	1	1200 X 568	20	1	500 X 337			

YEDEK PARÇA SİPARİŞLERİNİ RESME BAKARAK PARÇA NUMARASINA GÖRE VERİNİZ
PLEASE ORDER THE SPARE PARTS ACCORDING TO THE REFERENCE NUMBER ON THE DRAWING

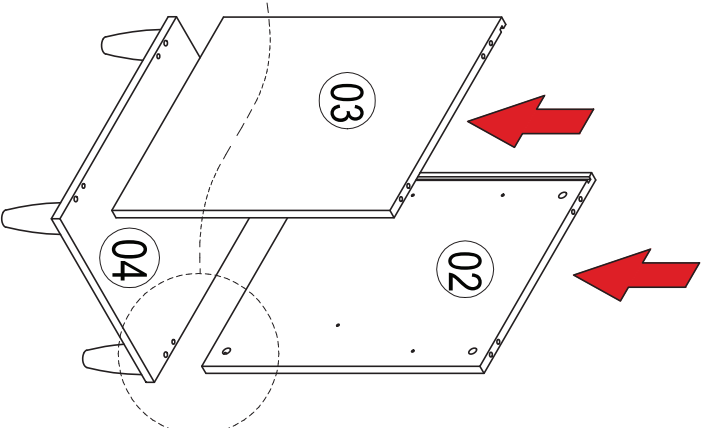
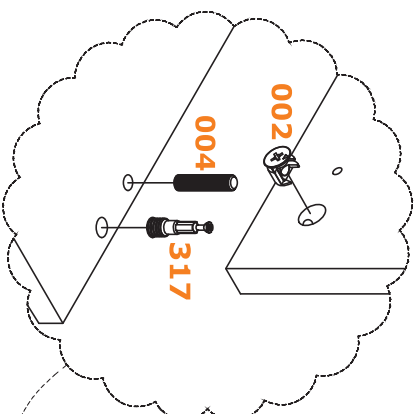




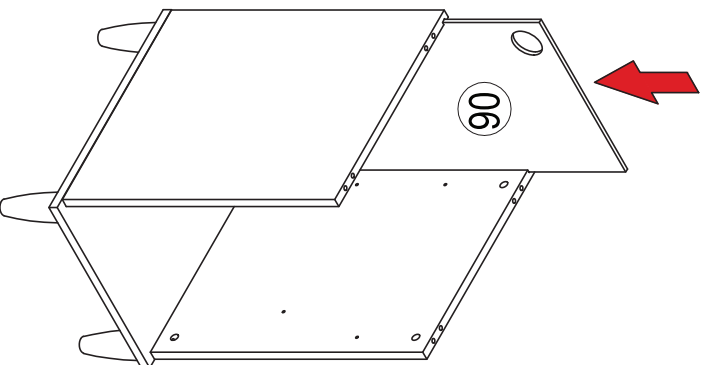
MONTAJ ADIMLARI / INSTALLATION STEPS



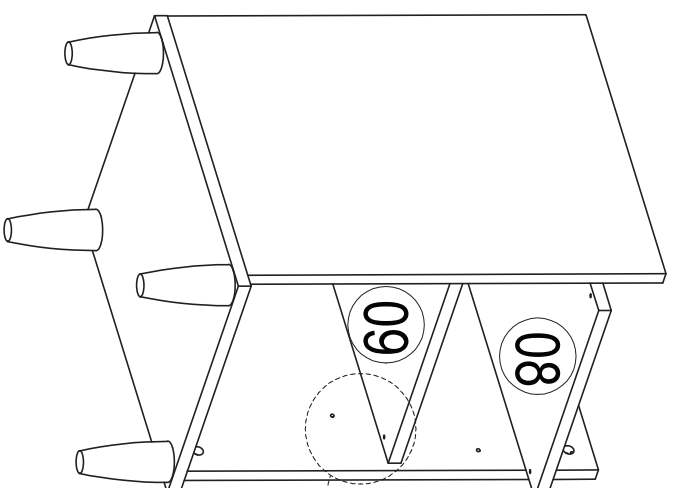
01



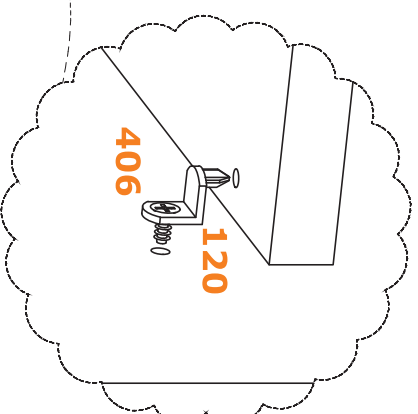
02



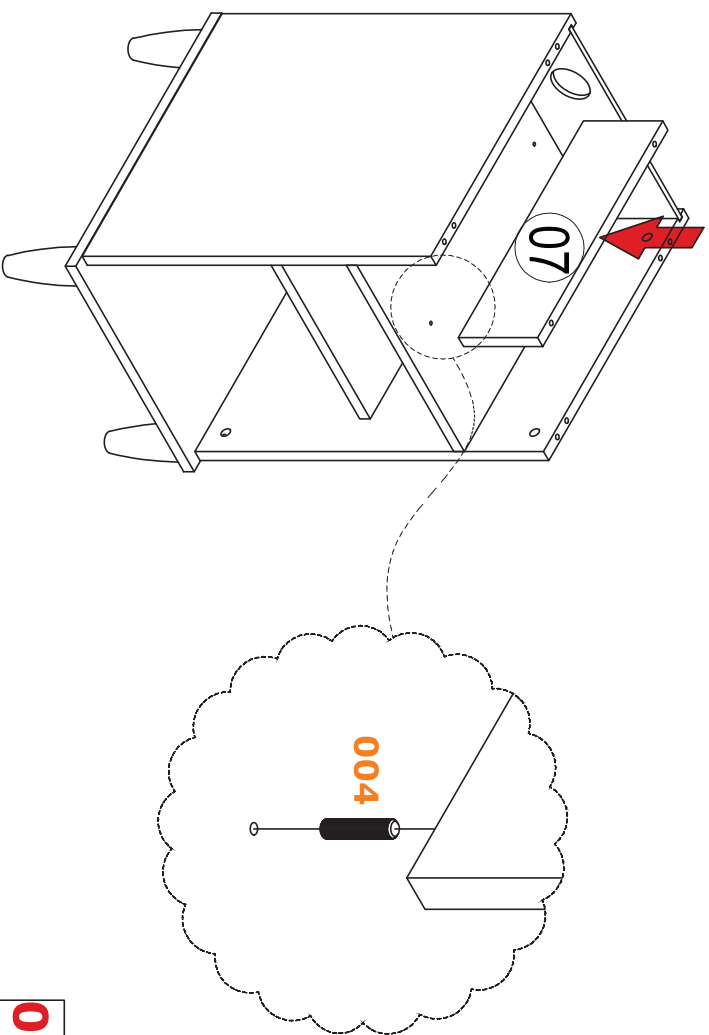
03



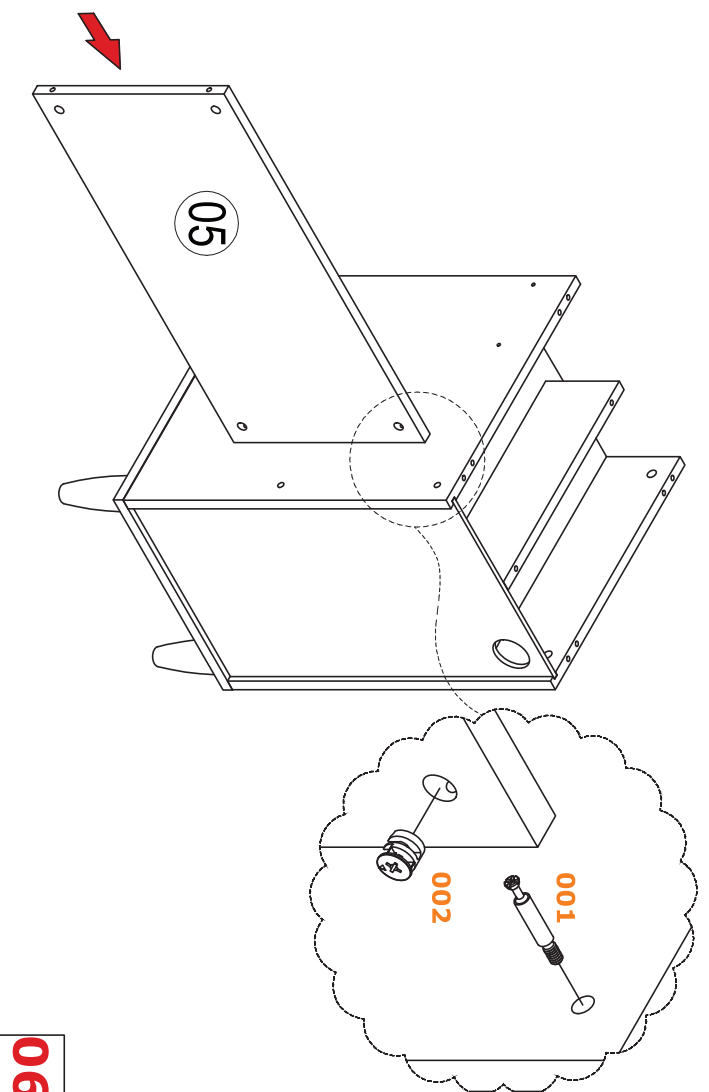
04



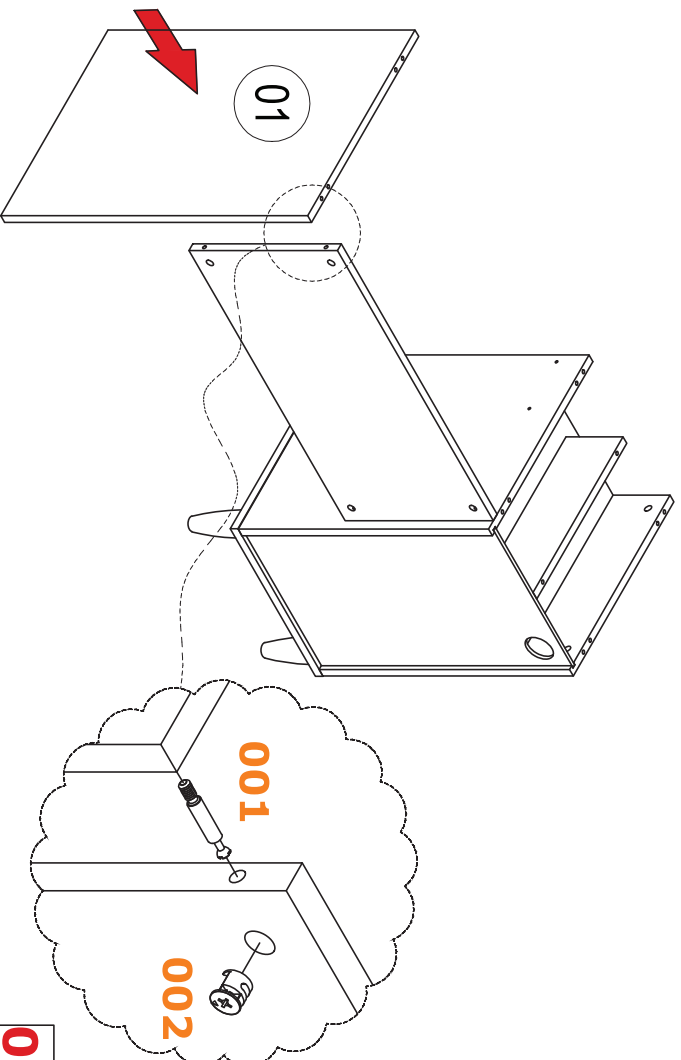
MONTAJ ADIMLARI / INSTALLATION STEPS



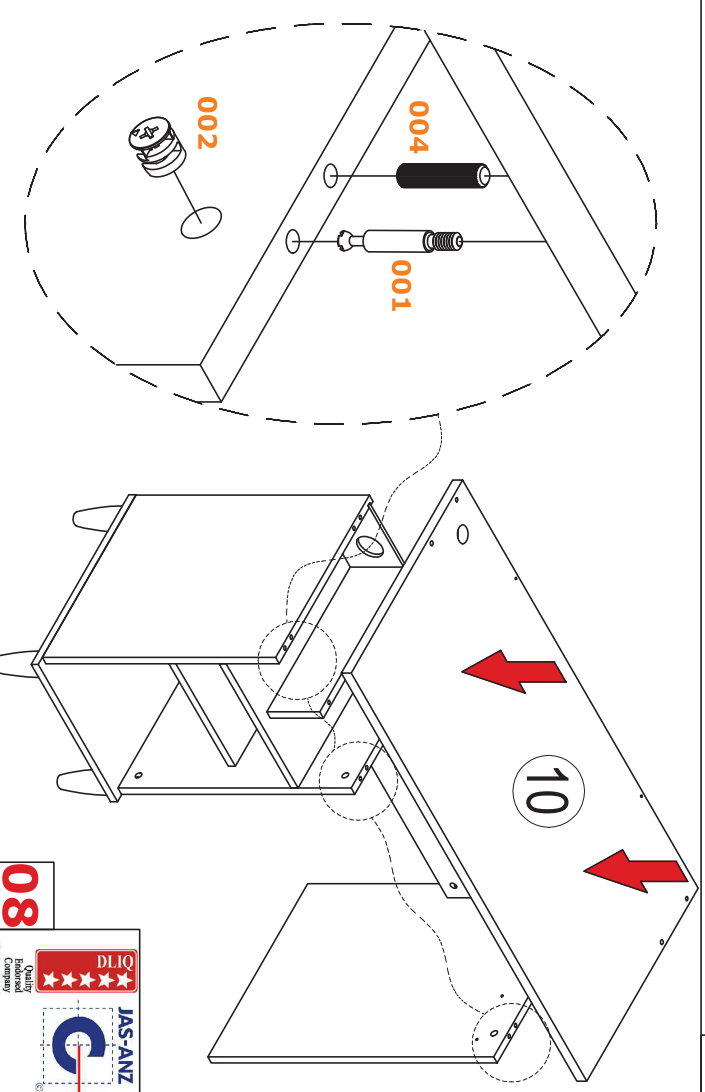
05



06

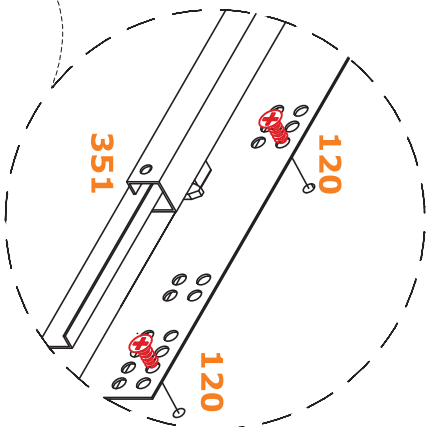
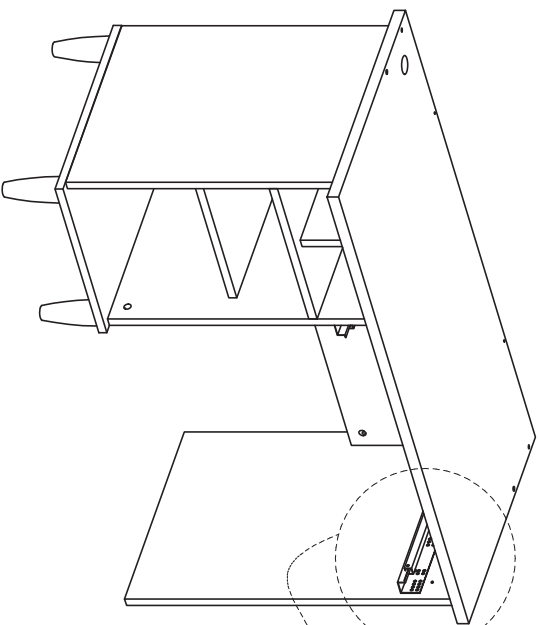


07

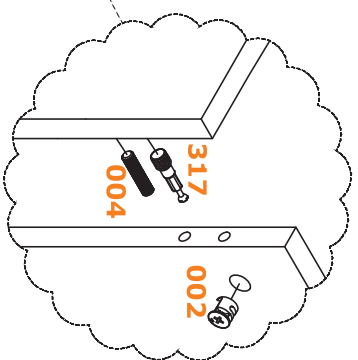
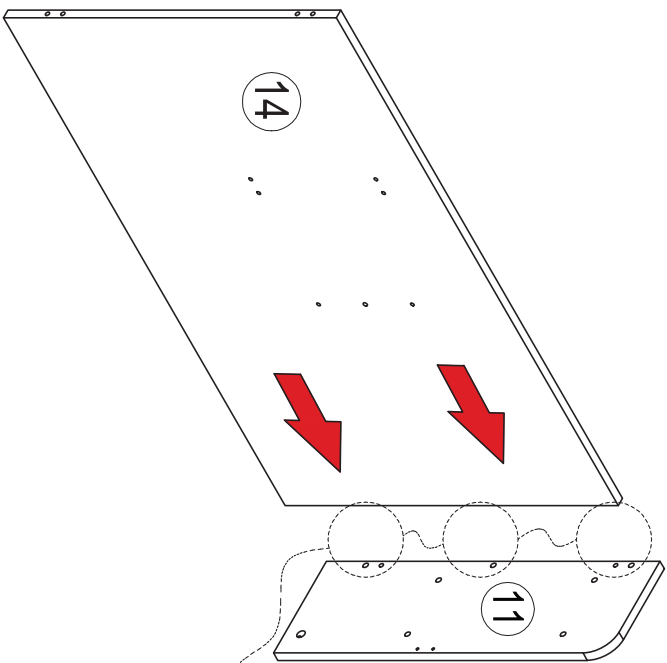


08

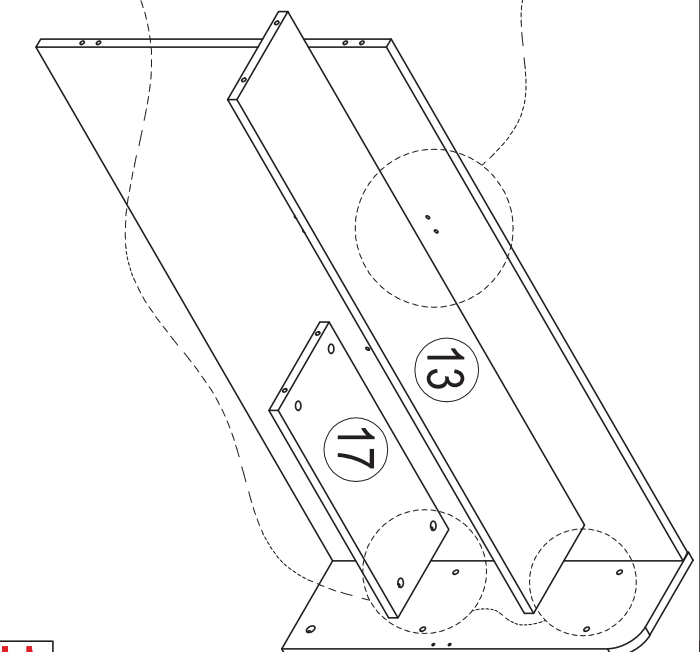
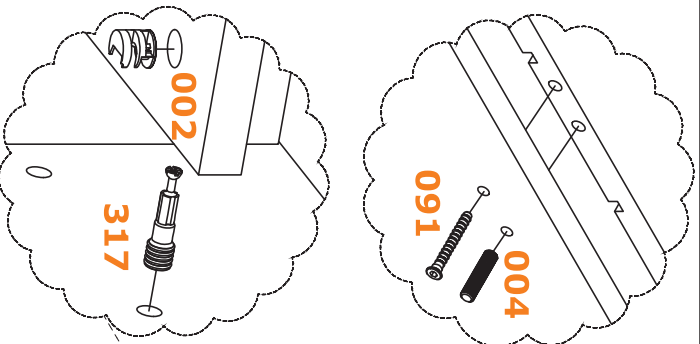
MONTAJ ADIMLARI / INSTALLATION STEPS



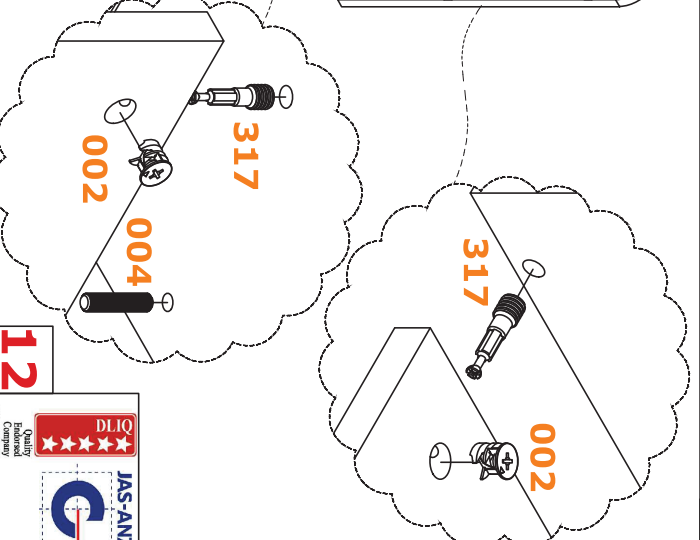
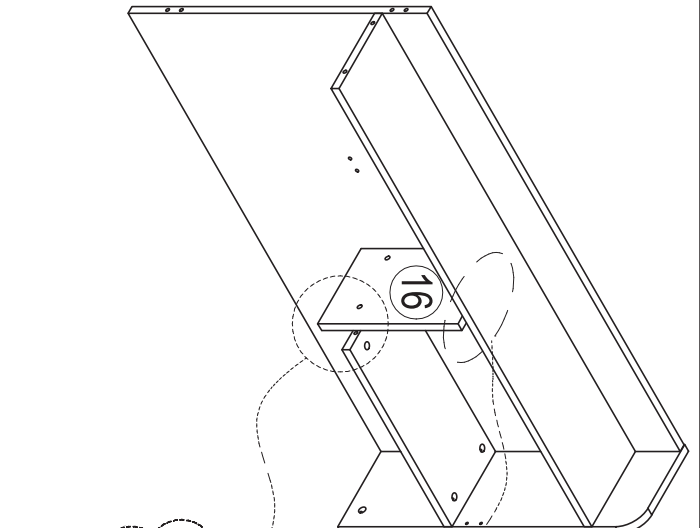
09



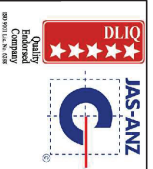
10



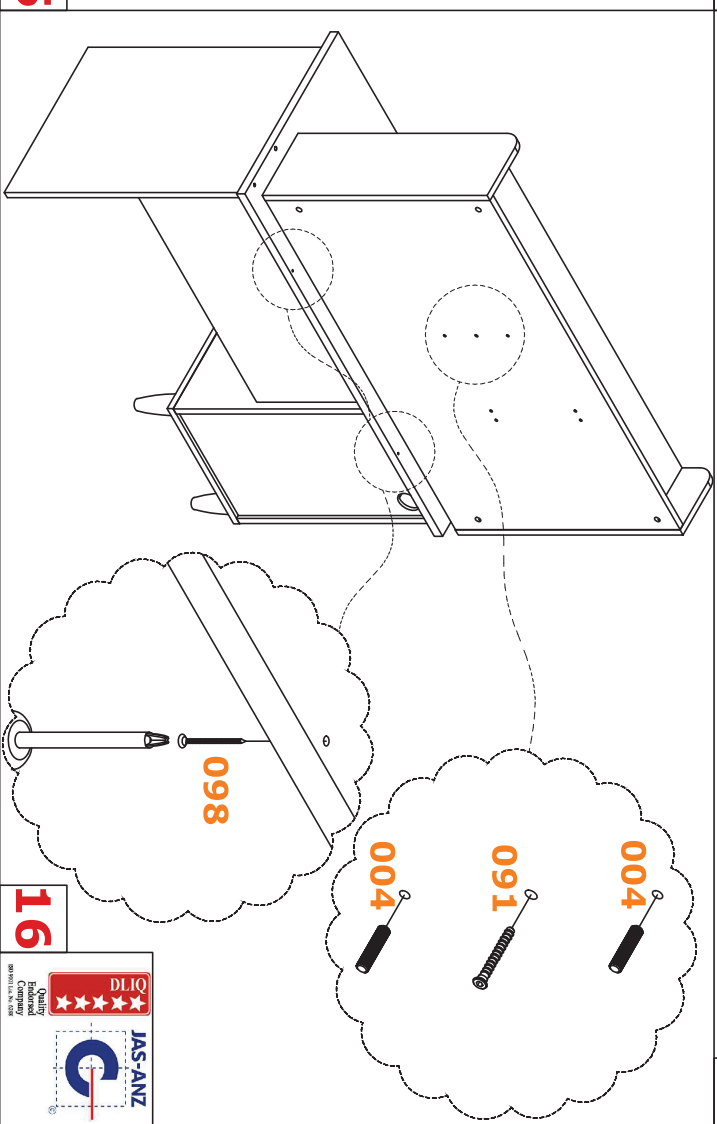
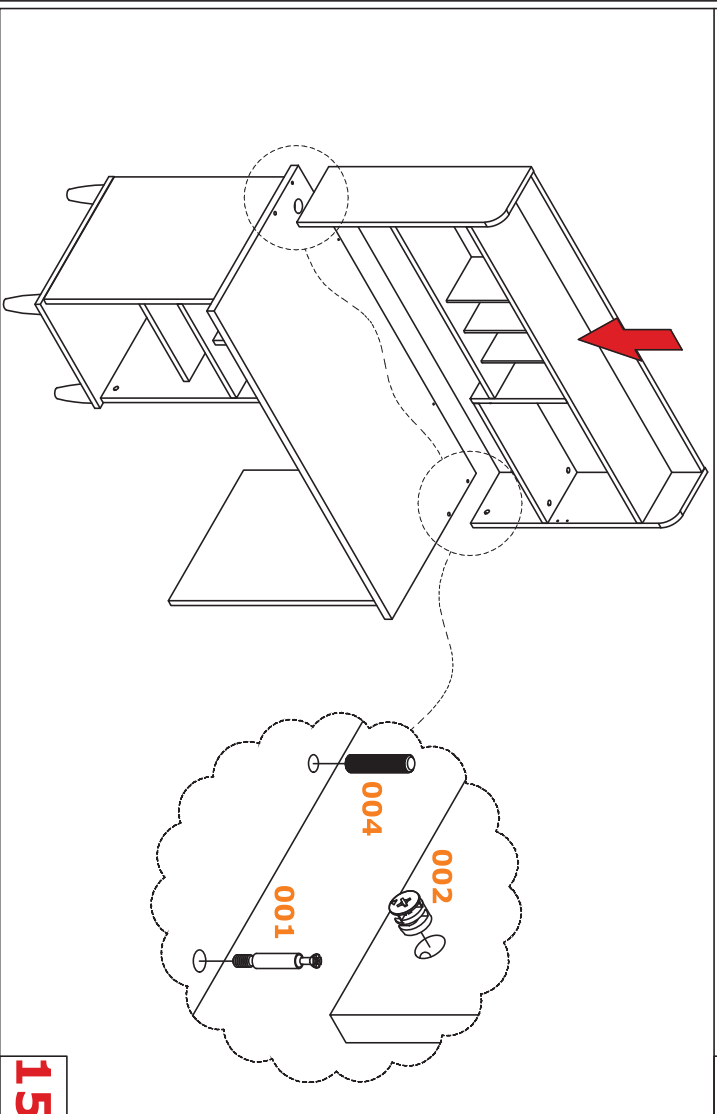
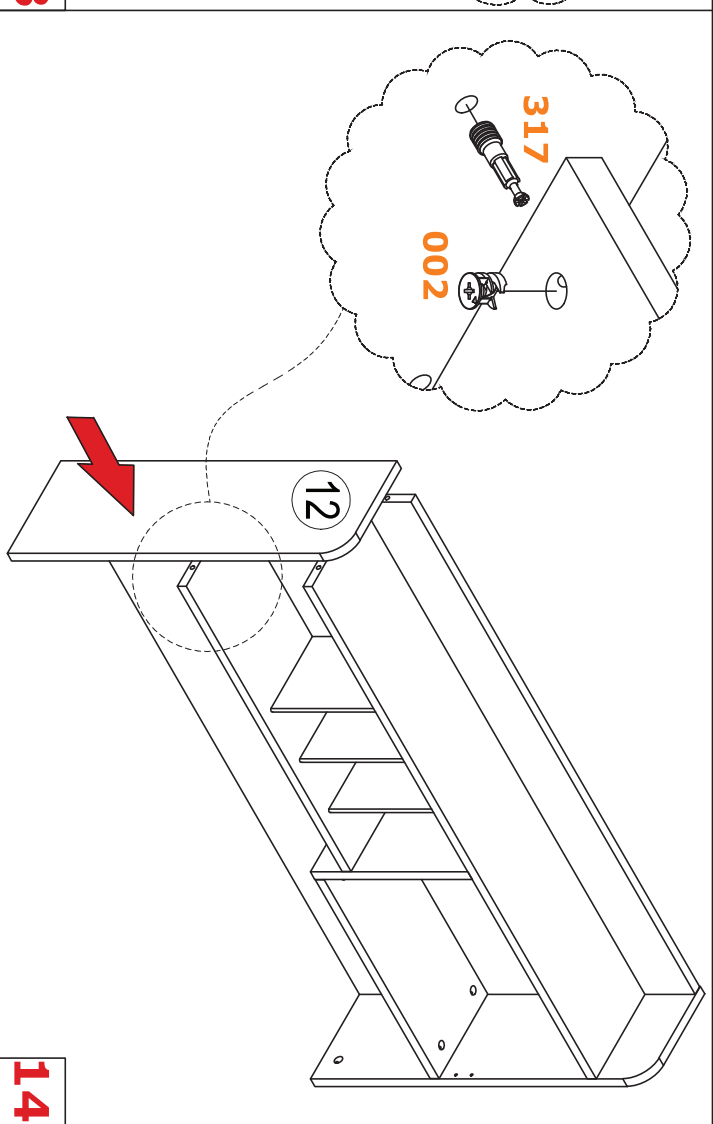
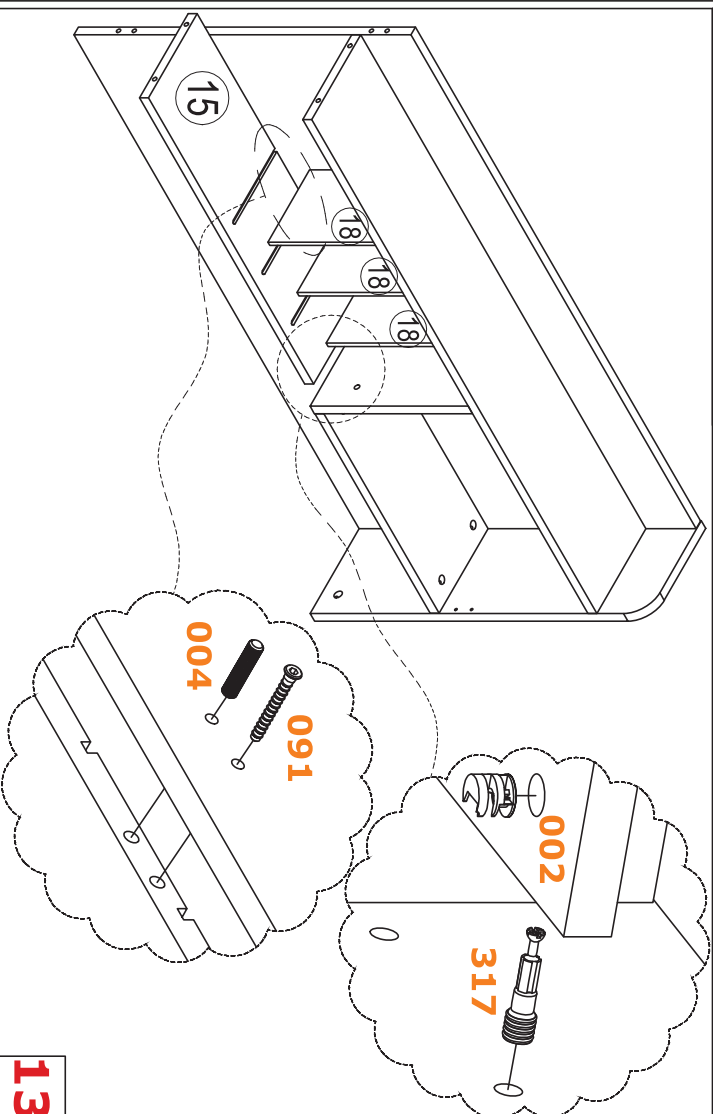
11



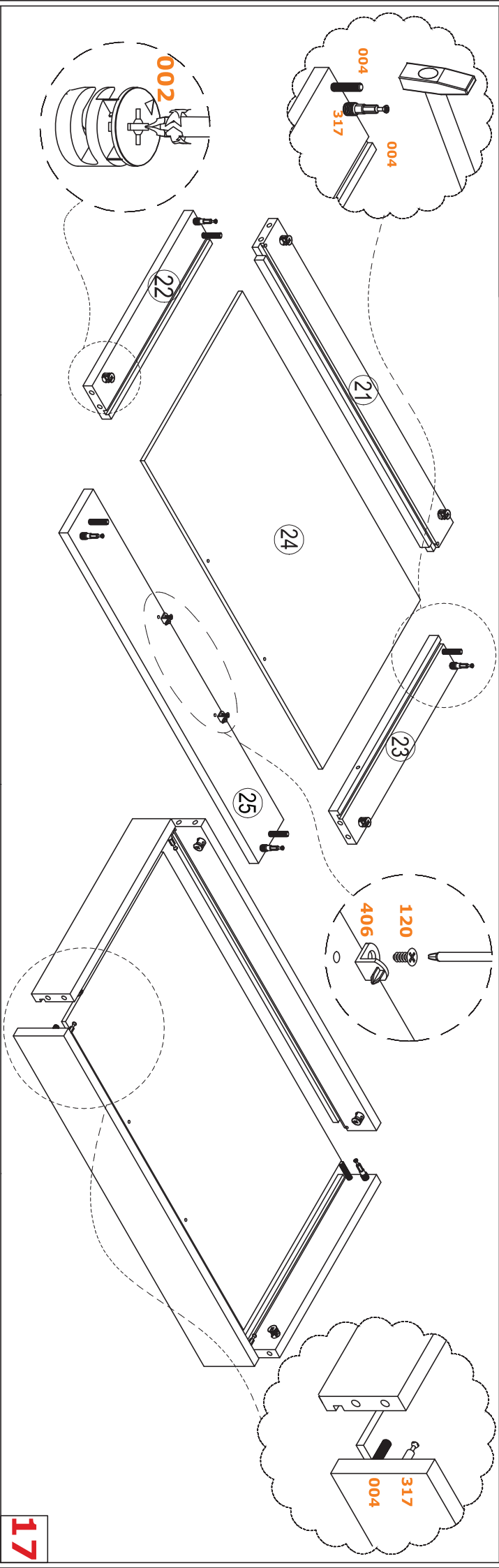
12



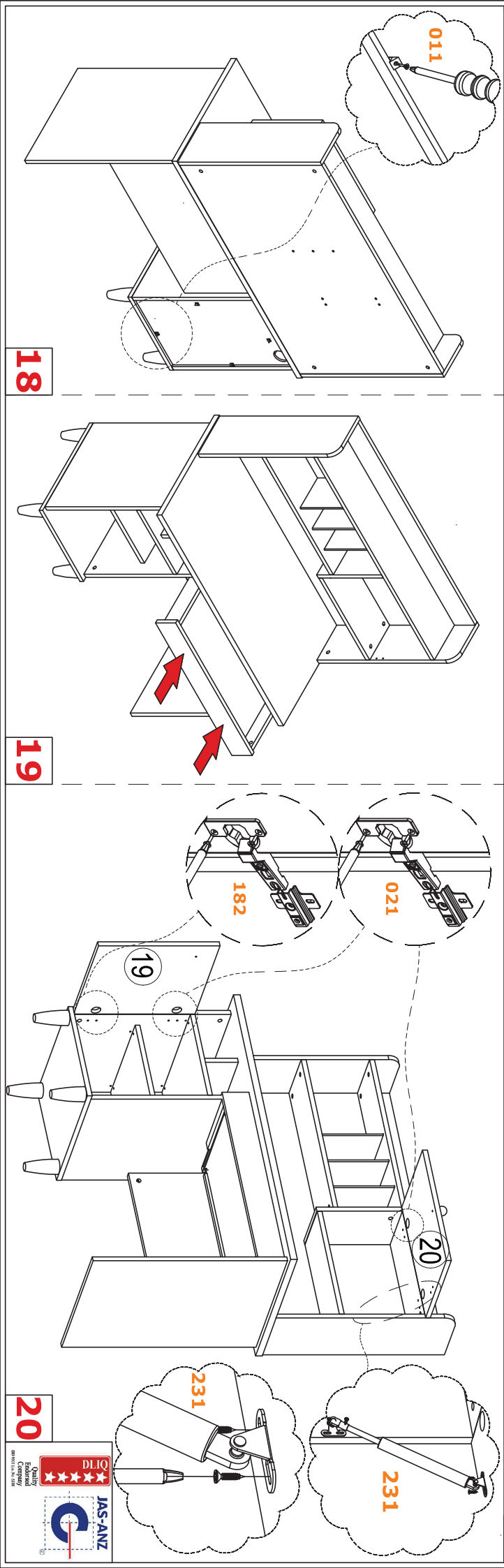
MONTAJ ADIMLARI / INSTALLATION STEPS



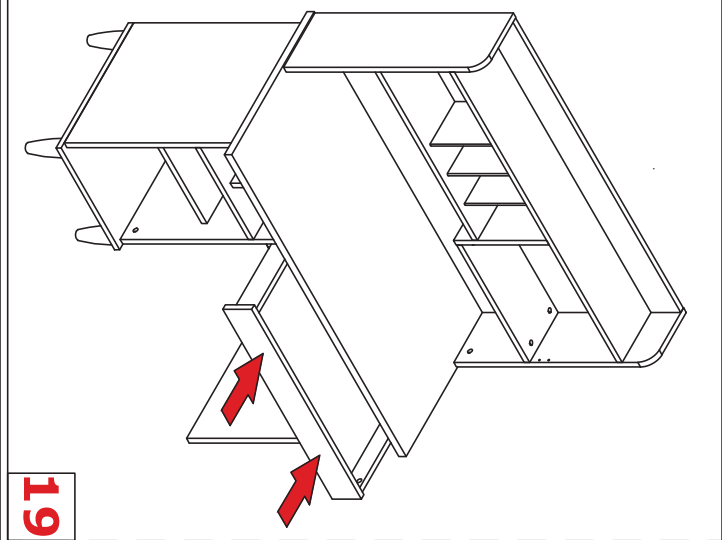
MONTAJ ADIMLARI / INSTALLATION STEPS



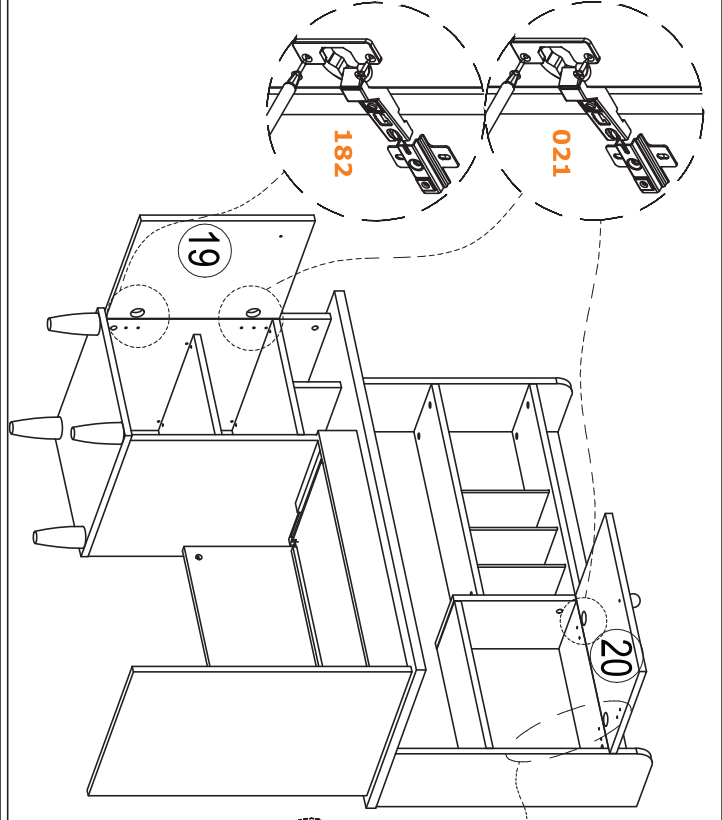
17



18



19



20

