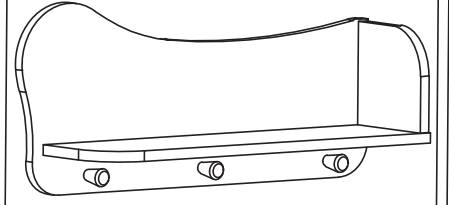



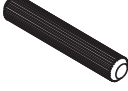

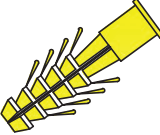
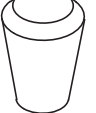
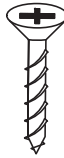
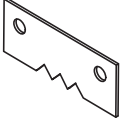

# caploonba

**GRUP** : UNİCORN  
**GROUP** : UNİCORN  
**ÜRÜN** : DUVAR RAFI  
**PRODUCT** : WALL SHELF  
**RENK** : METALİK EKRU & PEMBE  
**COLOUR** : METALİC ECRU & PİNG

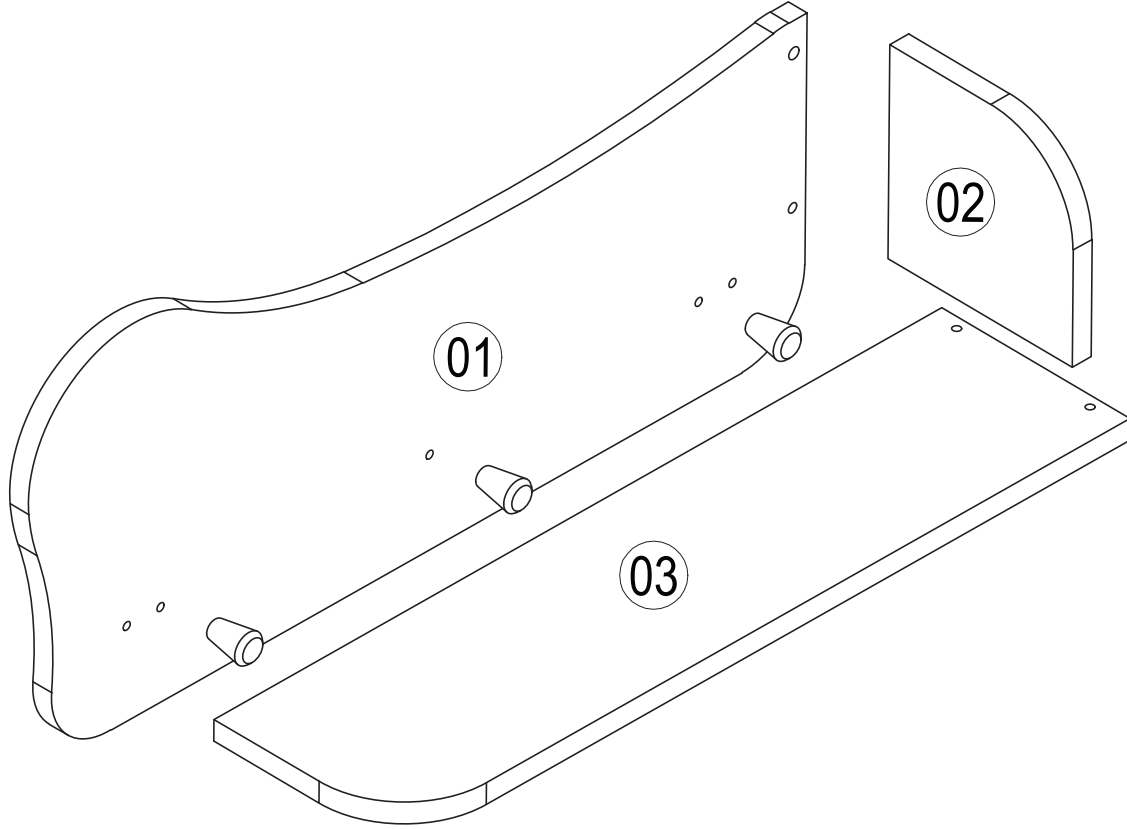
**KOD** : 2128  
**CODE** : 2128



## AKSESUAR LİSTESİ / ACCESSORIES LIST

<p>ACCESSORIE NO : 091 KABİN VİDASI (50mm)</p>  <p>5 ADET</p>	<p>ACCESSORIE NO : 004 Ø8x30 KAVELA</p>  <p>4 ADET</p>	<p>ACCESSORIE NO : 536 6*70 S. VİDASI</p>  <p>2 ADET</p>	<p>ACCESSORIE NO : 442 8'LİK ROKET SARI DUBEL</p>  <p>2 ADET</p>	<p>ACCESSORIE NO : 532 CRİSTA KULP</p>  <p>3 ADET</p>
		<p>ACCESSORIE NO : 094 3,5*16 S. VİDASI</p>  <p>4 ADET</p>	<p>ACCESSORIE NO : 542 DUVAR ASKI APARATI</p>  <p>2 ADET</p>	<p>ACCESSORIE NO : 104 M4*25 MM VİDA</p>  <p>3 ADET</p>

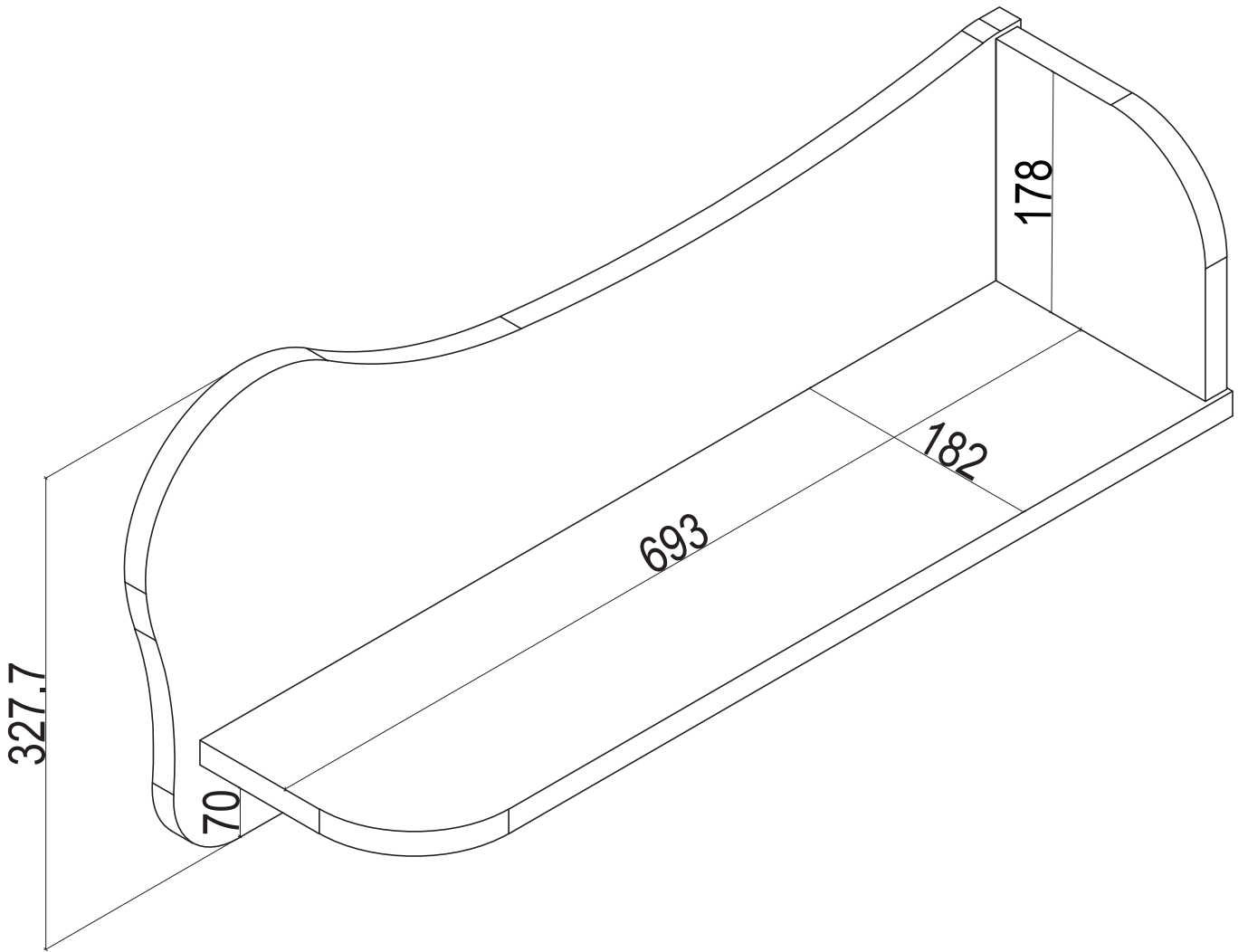
YEDEK AKSESUAR SİPARİŞLERİNİ RESME BAKARAK VERİNİZ. (Örn:ACCESSORIE.NO:008 - RAFIX MİL - 1 Ad.)  
PLEASE ORDER THE ACCESSORIES ACCORDING TO THE REFERENCE NUMBER ON THE DRAWING(EXAMPLE ACCESSORIE NO-008 RAFIX MİL 1.PCS.)



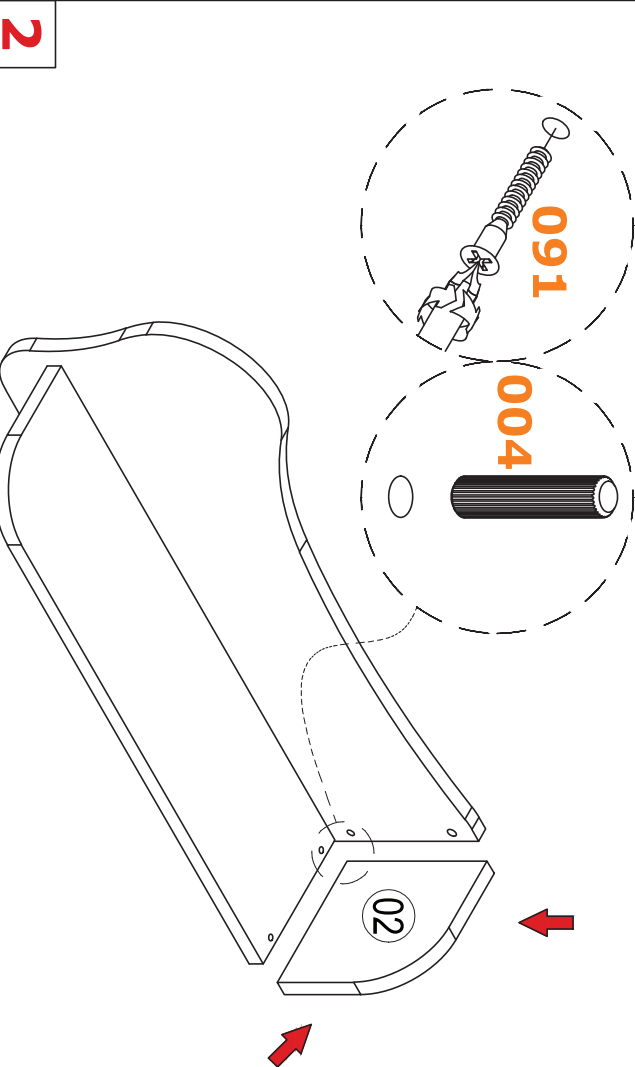
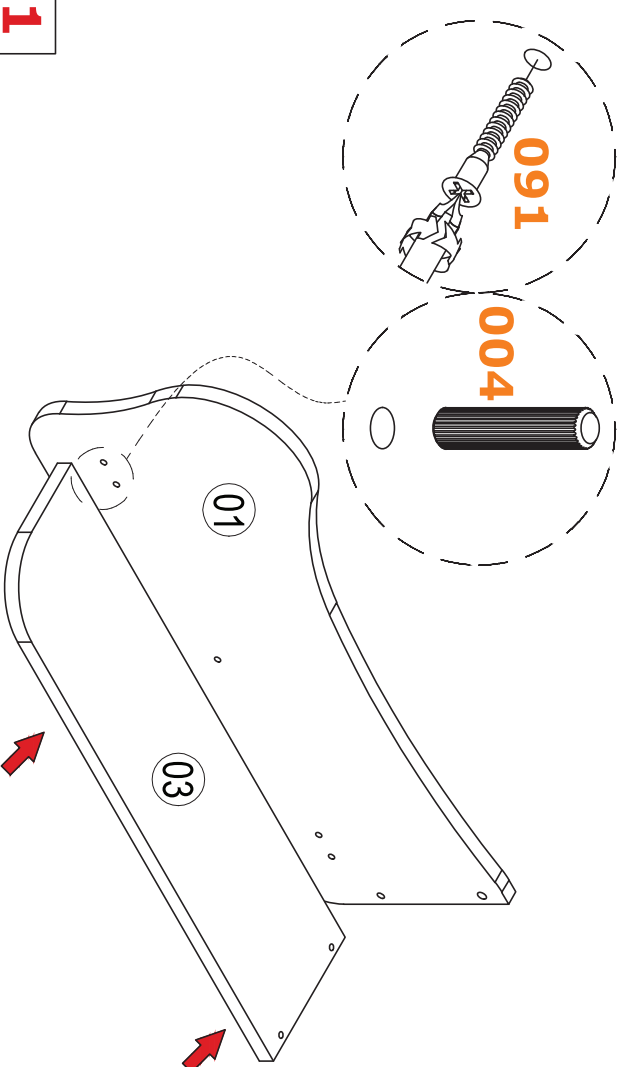
FR-002

NO	ADET/PCS	ÖLÇÜ/DIMENSIONS	NO	ADET/PCS	ÖLÇÜ/DIMENSIONS	NO	ADET/PCS	ÖLÇÜ/DIMENSIONS
01	1	742 X 330						
02	1	178 X 178						
03	1	693 X 182						

YEDEK PARÇA SİPARİŞLERİNİ RESME BAKARAK PARÇA NUMARASINA GÖRE VERİNİZ  
PLEASE ORDER THE SPARE PARTS ACCORDING TO THE REFERENCE NUMBER ON THE DRAWING

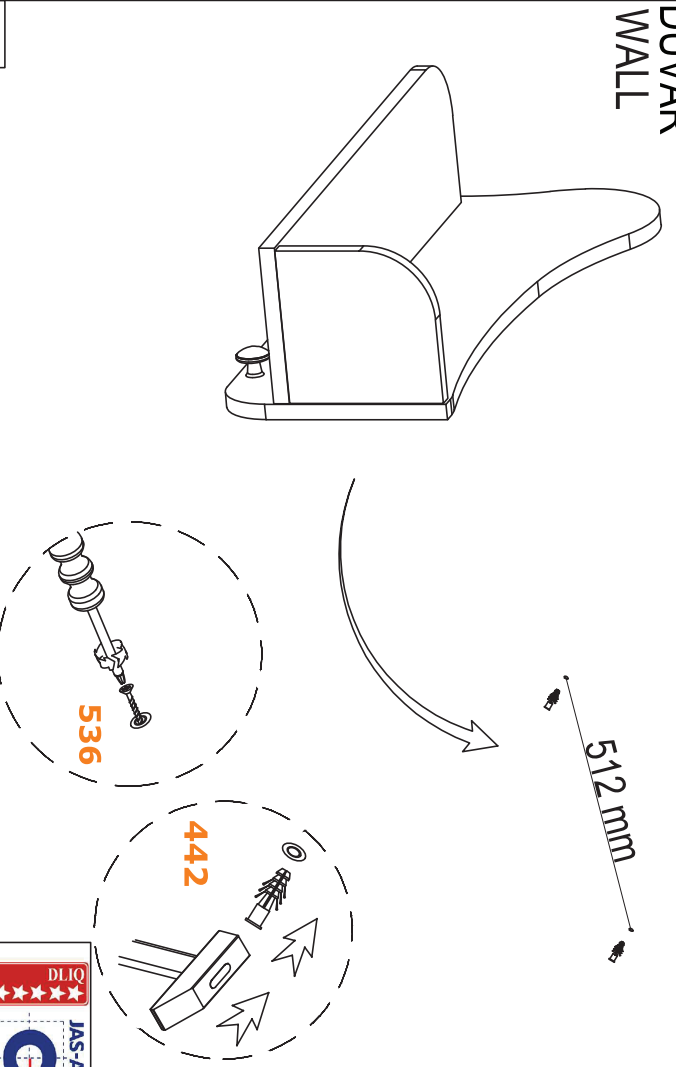
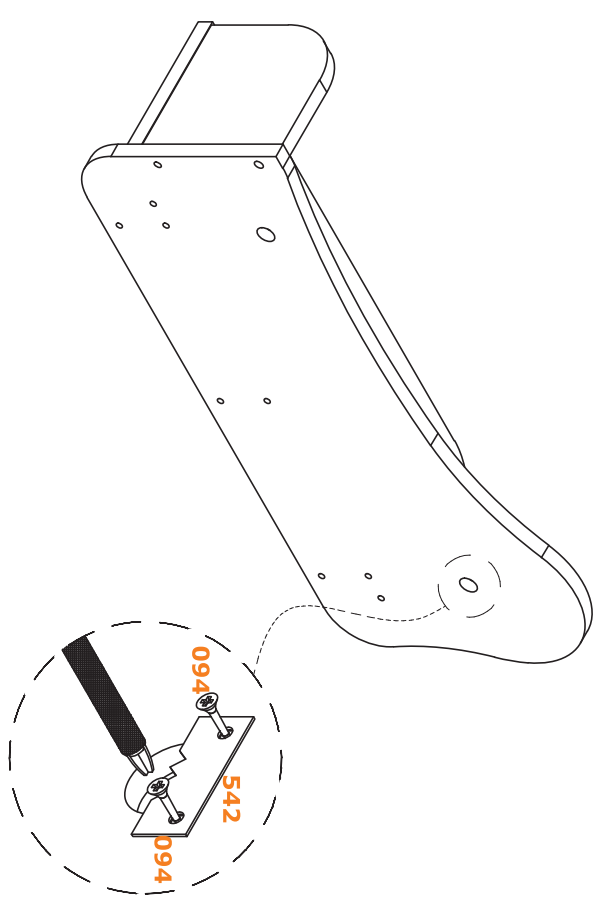


# MONTAJ ADIMLARI / INSTALLATION STEPS



**2**  
DUVAR  
WALL

512 mm



**3**

**4**