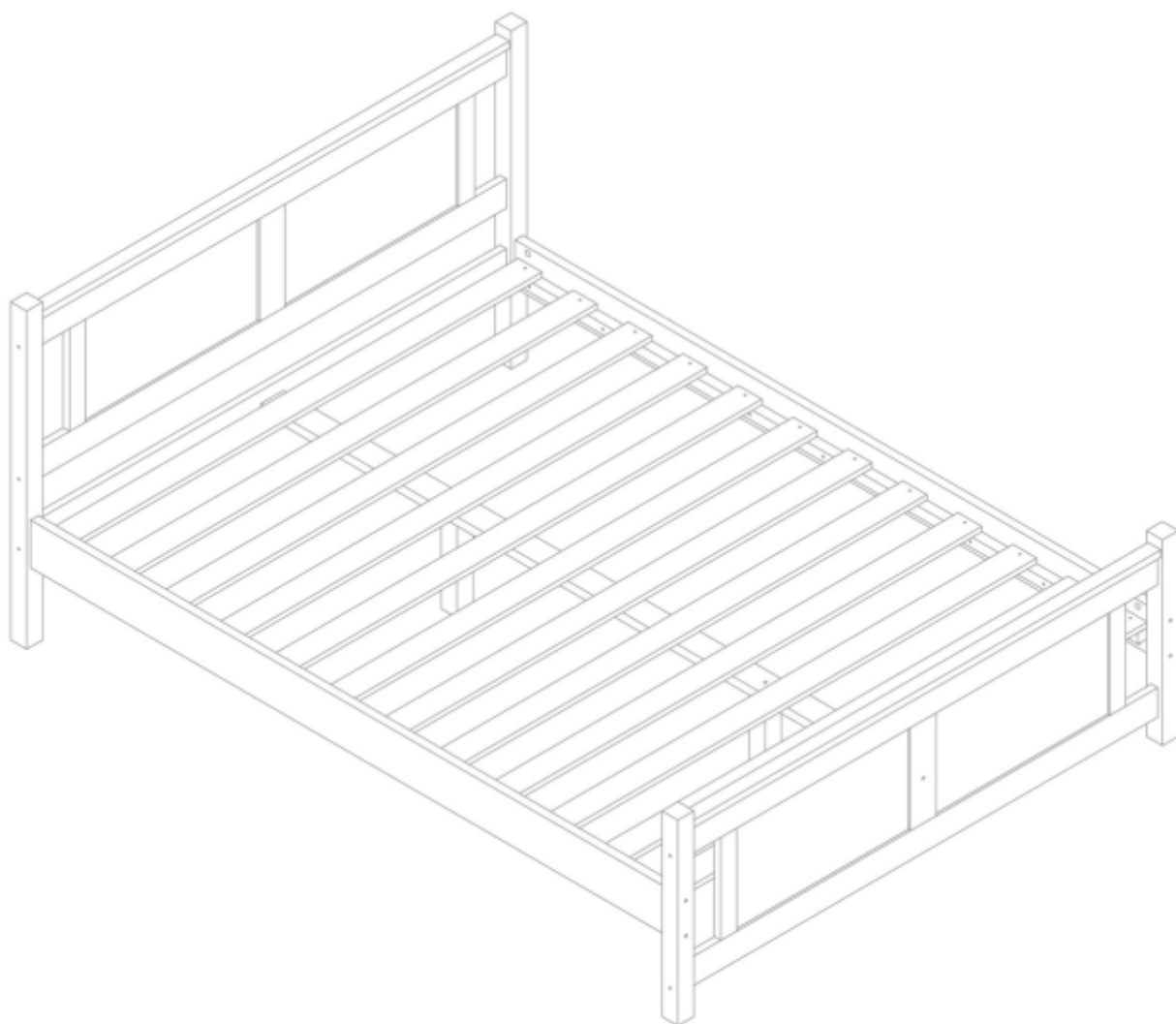


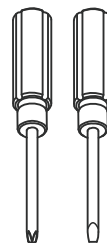
RAVENNA No1








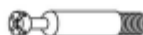




Callista Double

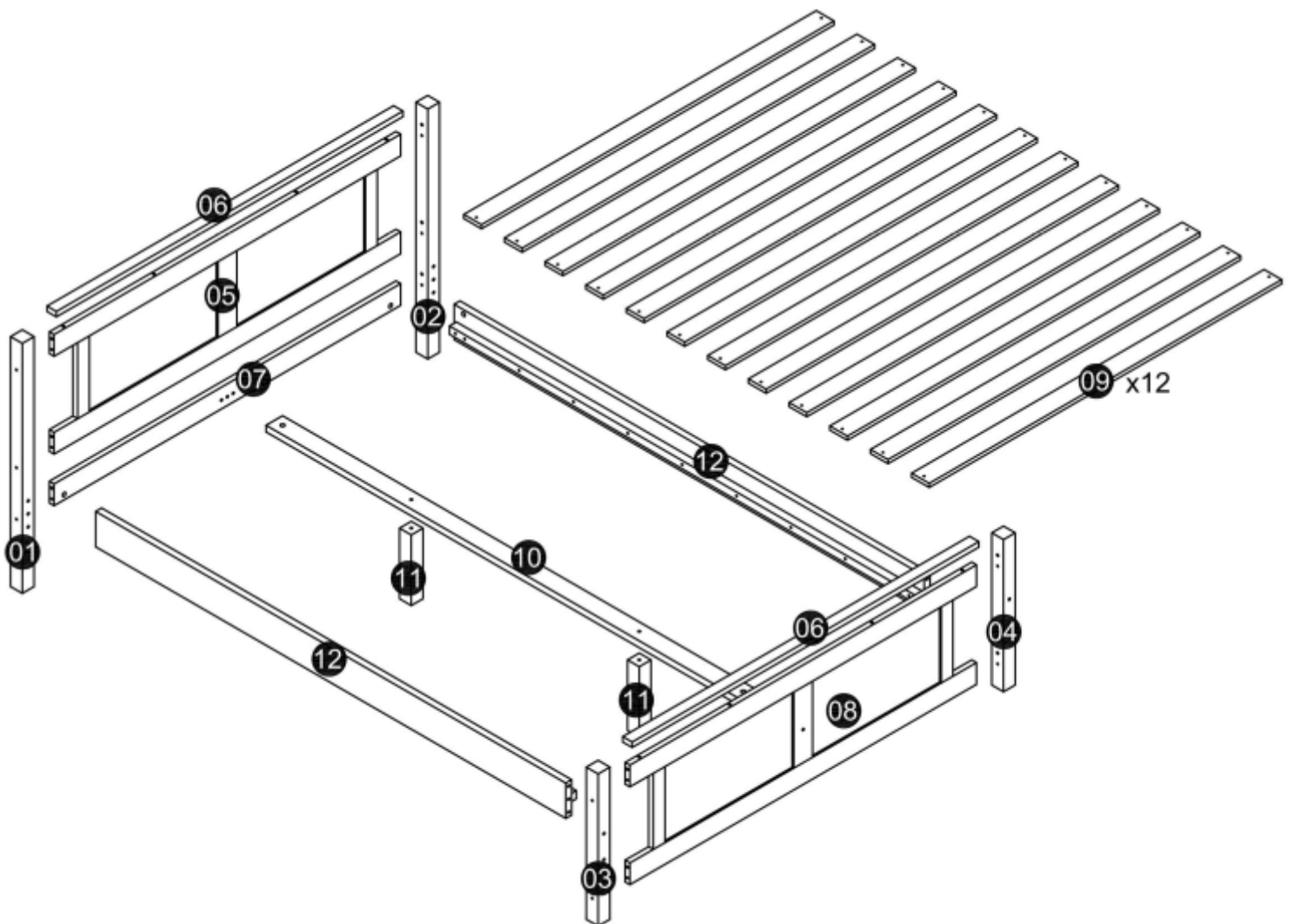


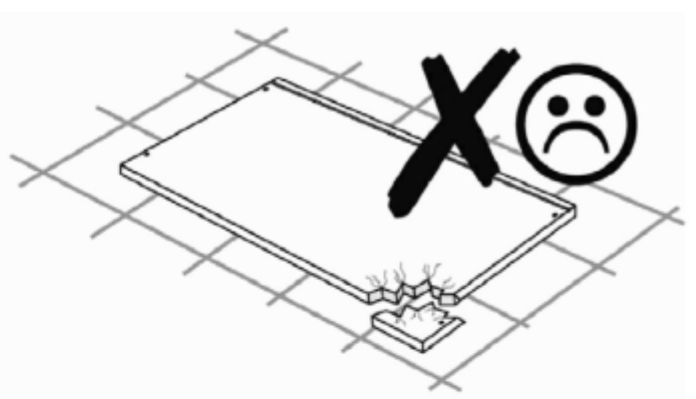
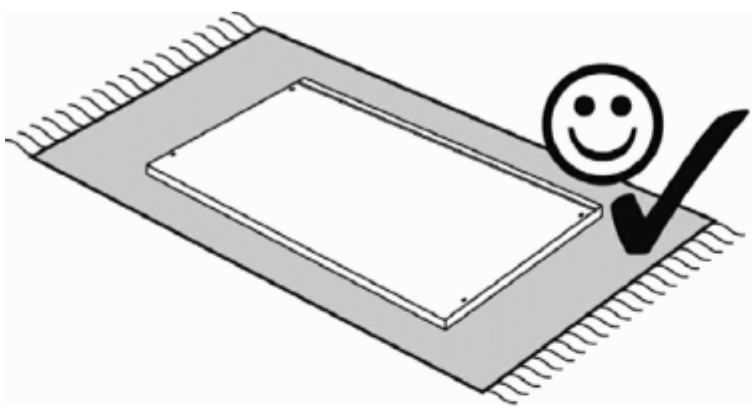
Δυσκολία Συναρμολόγησης
Assembly Difficulty

1 2 ③ 4 5

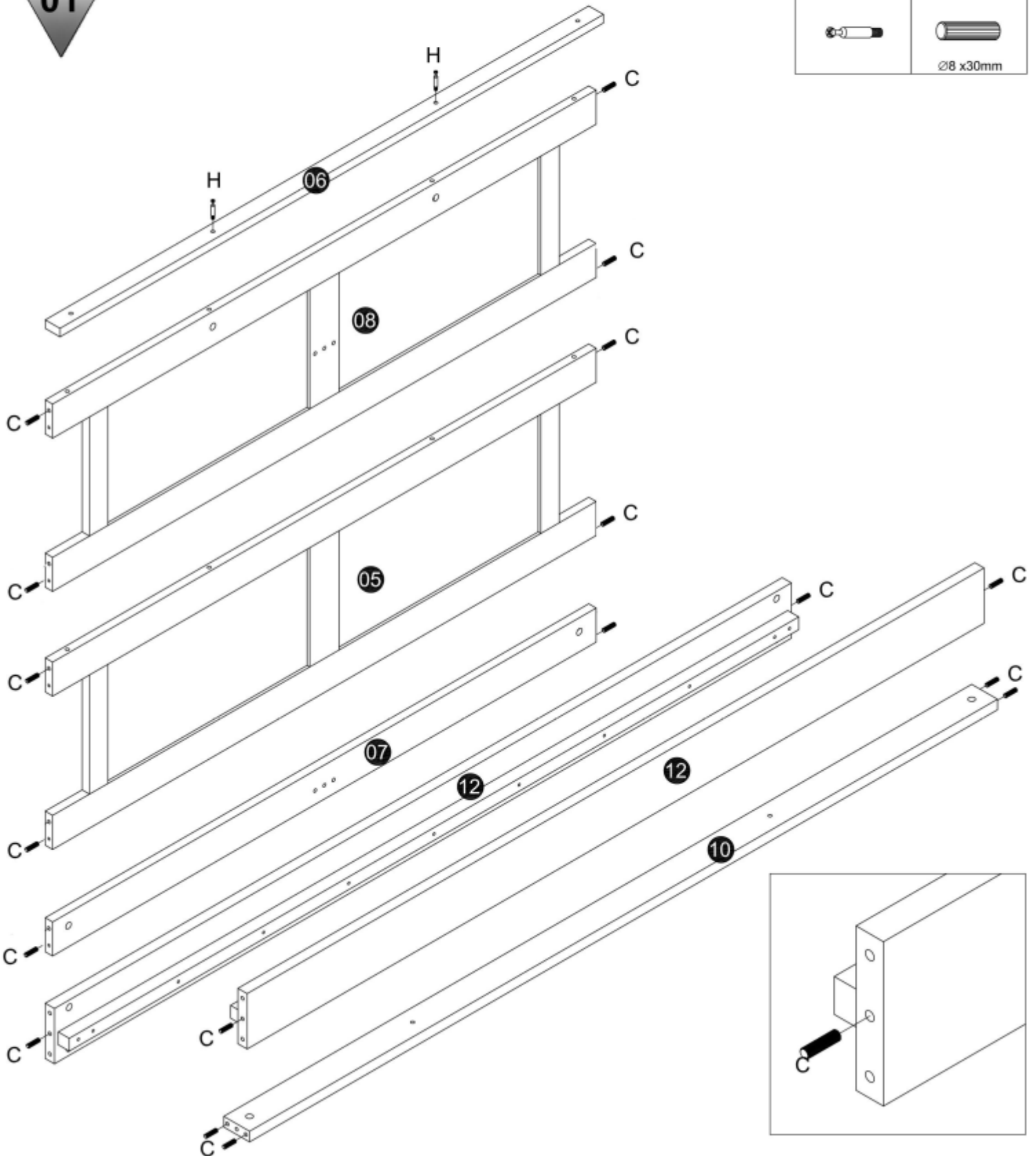
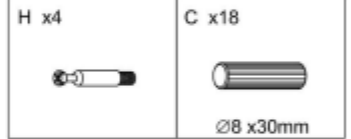


<p>A x10</p>  <p>M6 x100mm</p>	<p>B x12</p> 	<p>C x18</p>  <p>Ø8 x30mm</p>	<p>D x8</p>  <p>Ø6 x100mm</p>	<p>E x4</p>  <p>M6 x80mm</p>
<p>F x1</p> 	<p>G x24</p>  <p>Ø4 x30mm</p>	<p>H x4</p> 	<p>I x4</p> 	<p>J x4</p> 
<p>K x2</p>  <p>Ø7 x50mm</p>	<p>L x2</p>  <p>M6 x60mm</p>			

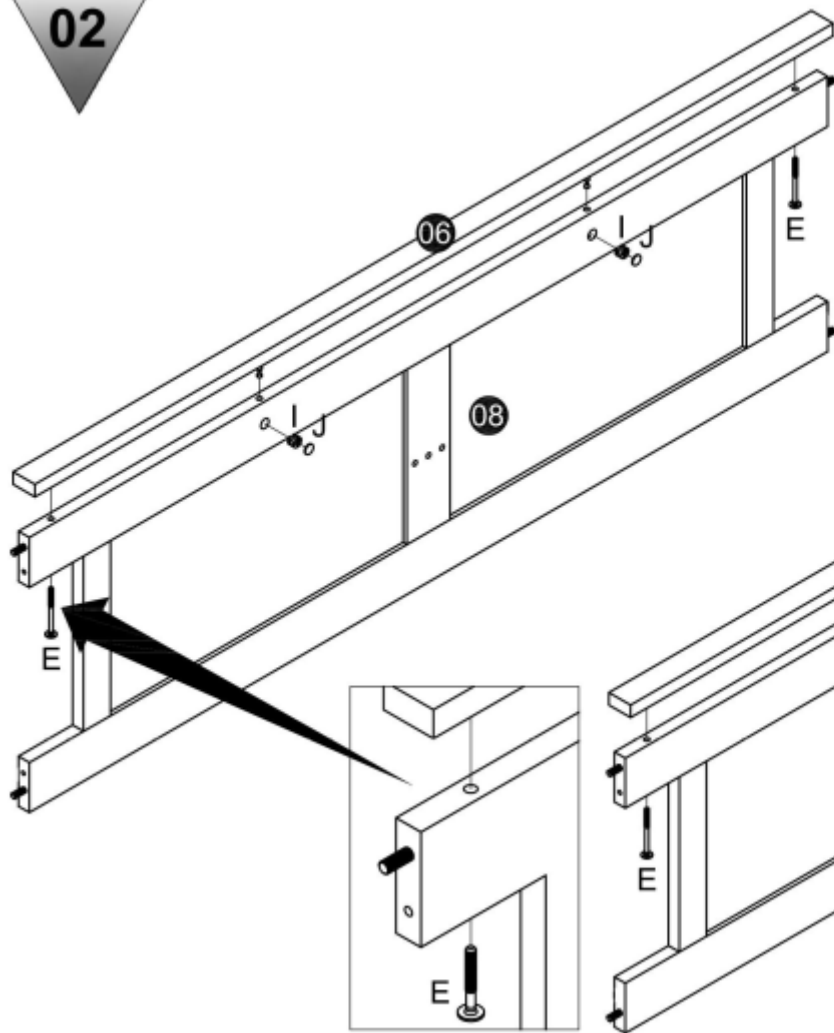




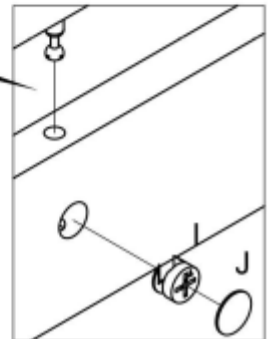
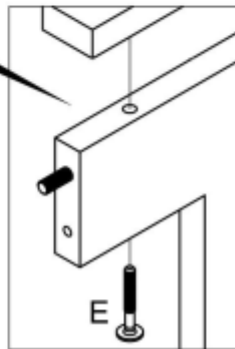
01



02

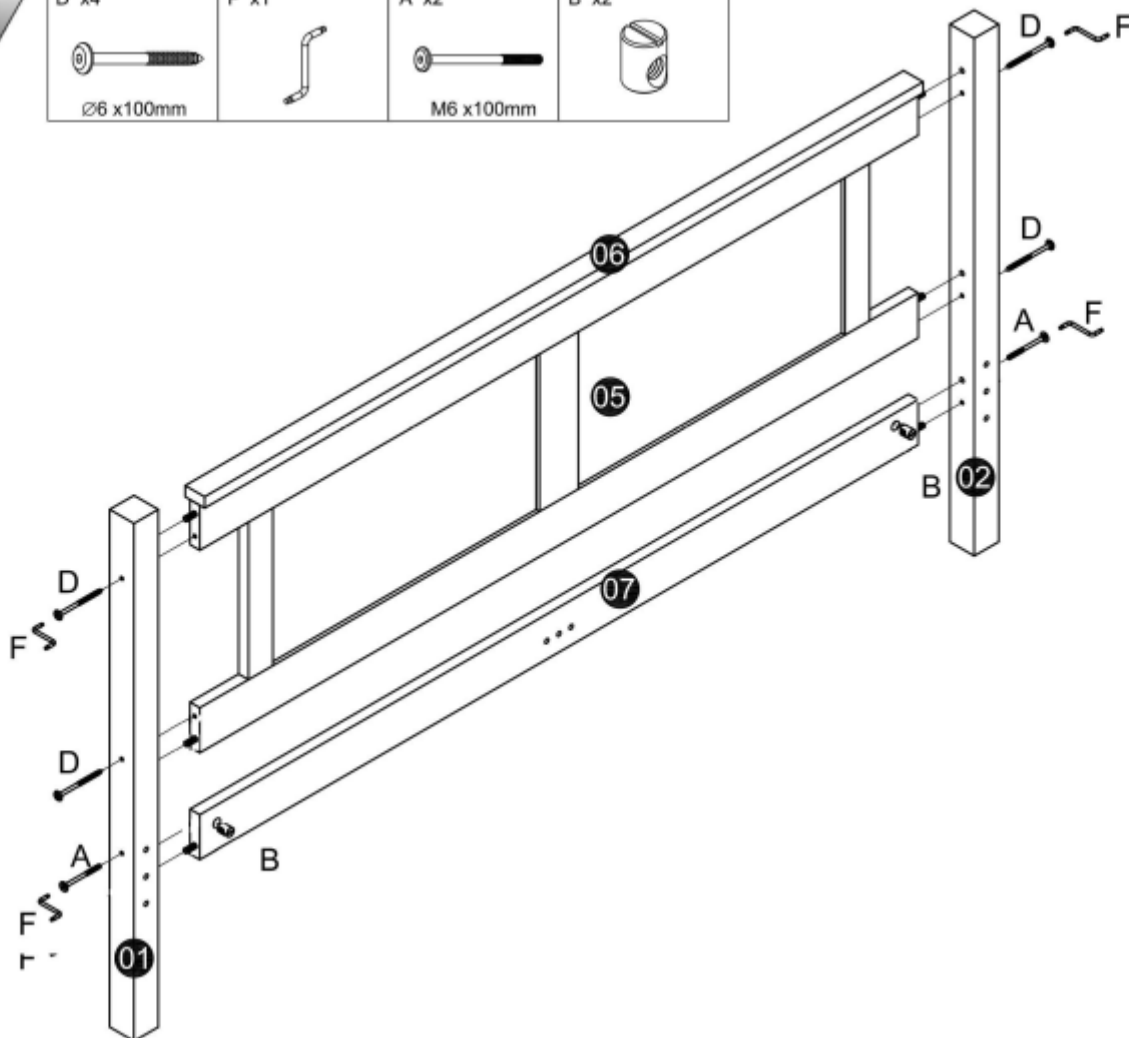


E x4 M6 x80mm	I x4	J x4
F x1		



03

D x4 ∅6 x100mm	F x1	A x2 M6 x100mm	B x2
-------------------	------	-------------------	------



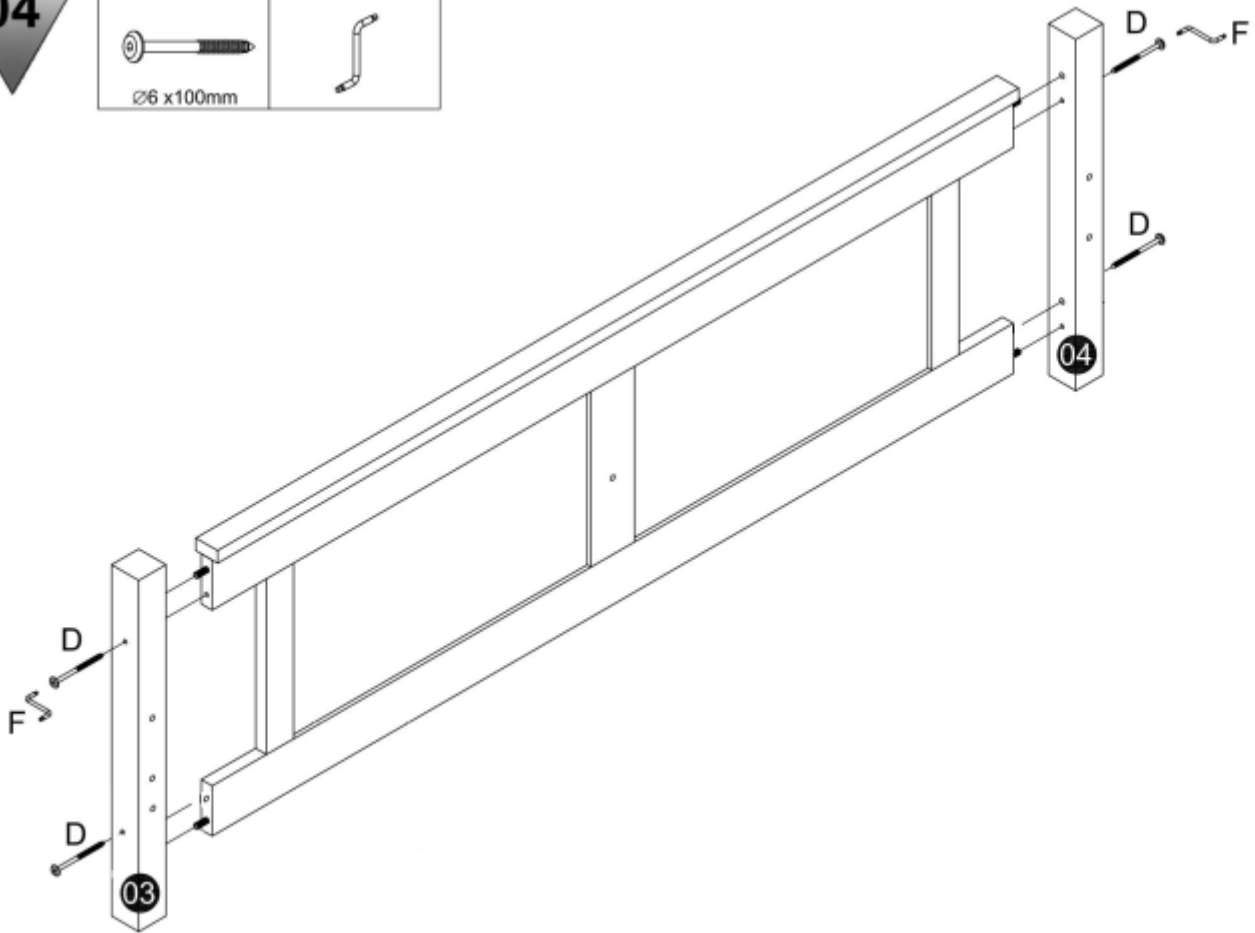
04

D x4



Ø6 x100mm

F x1



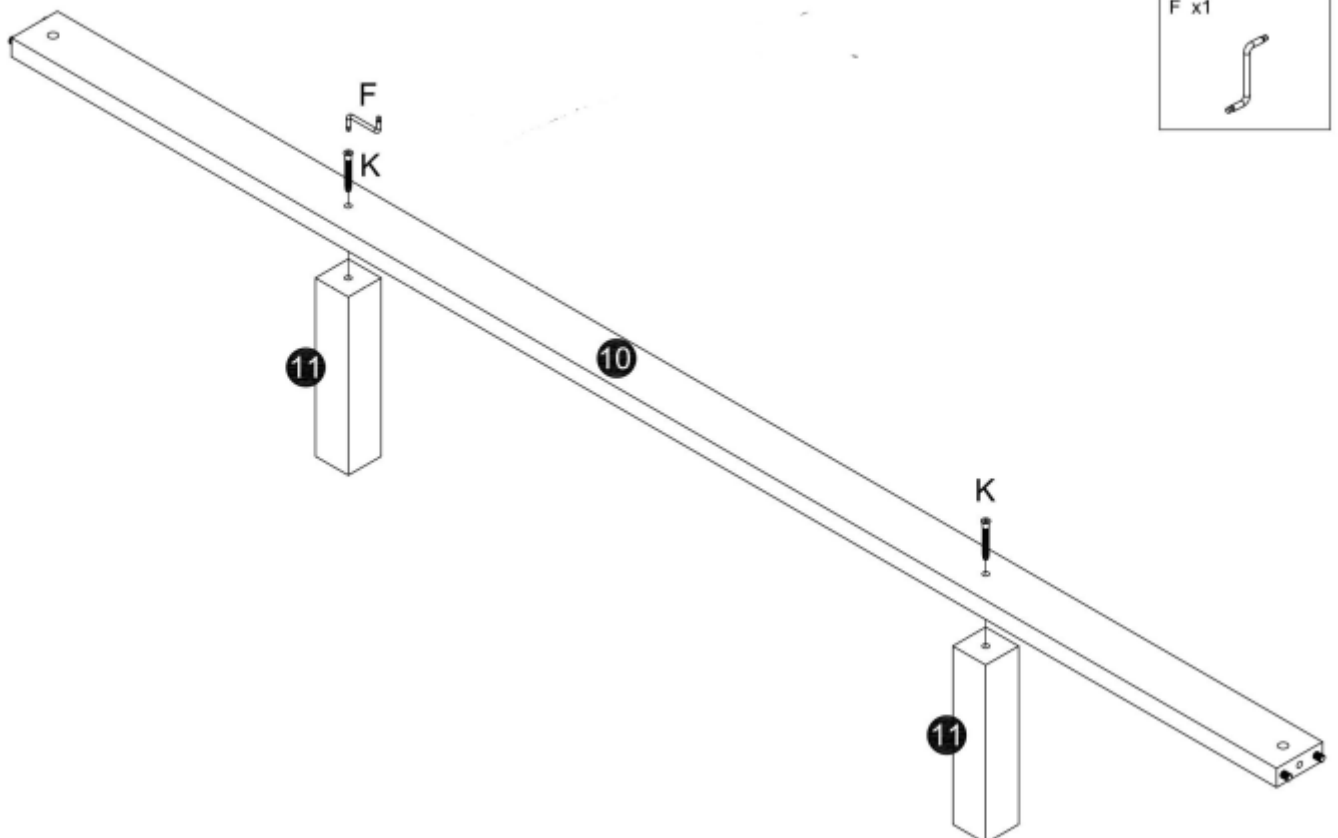
05

K x2

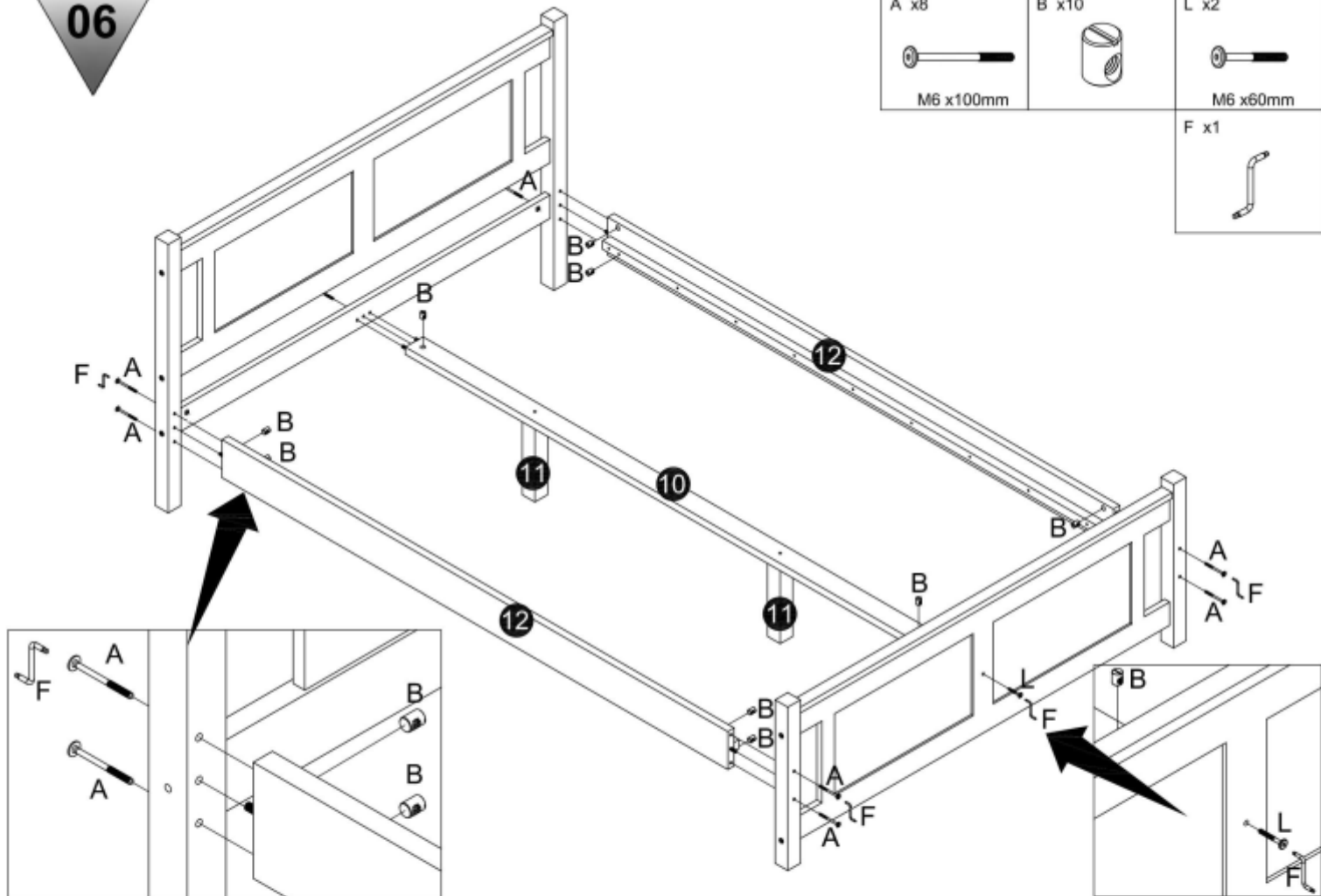
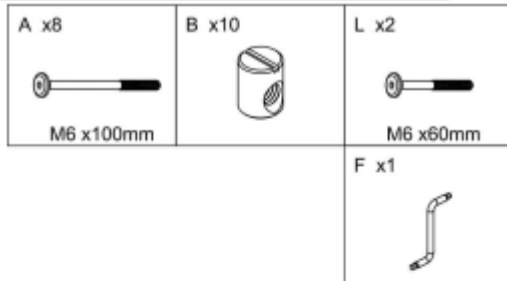


Ø7 x50mm

F x1



06



07

