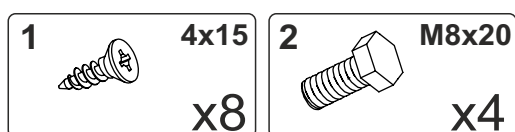
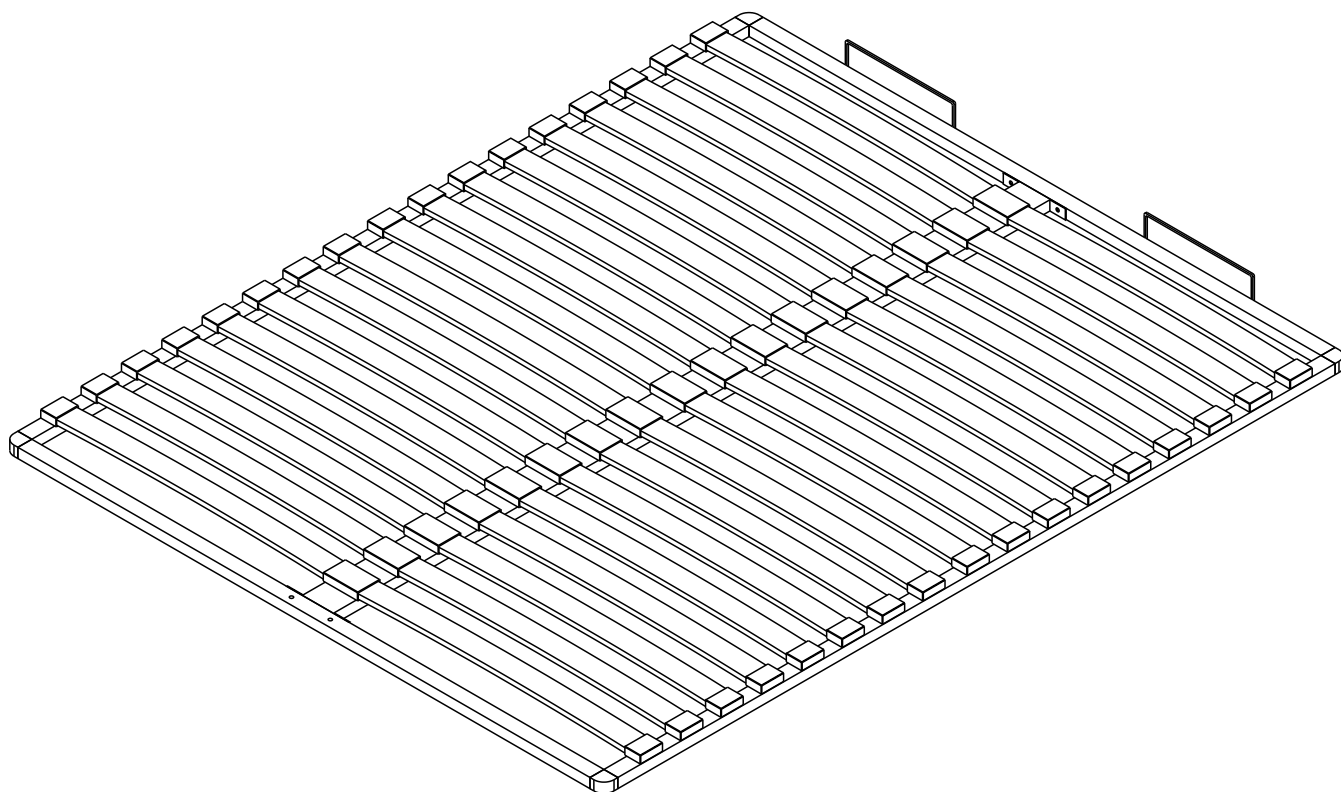
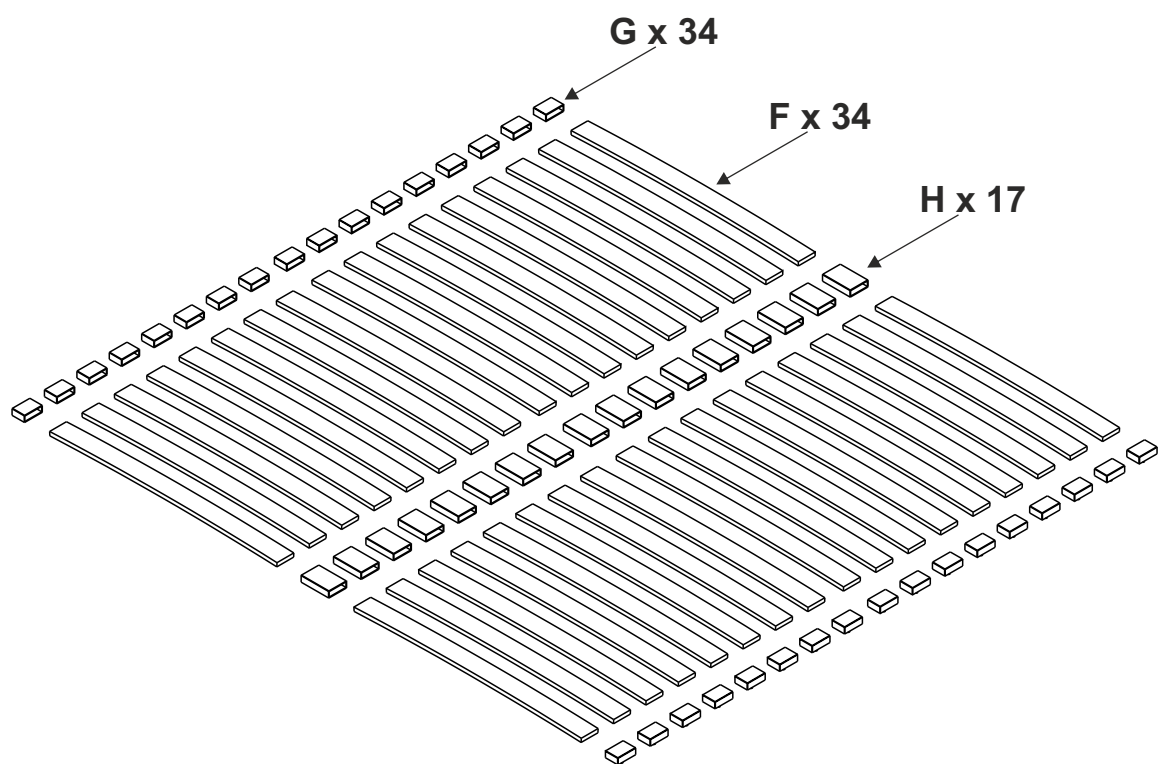
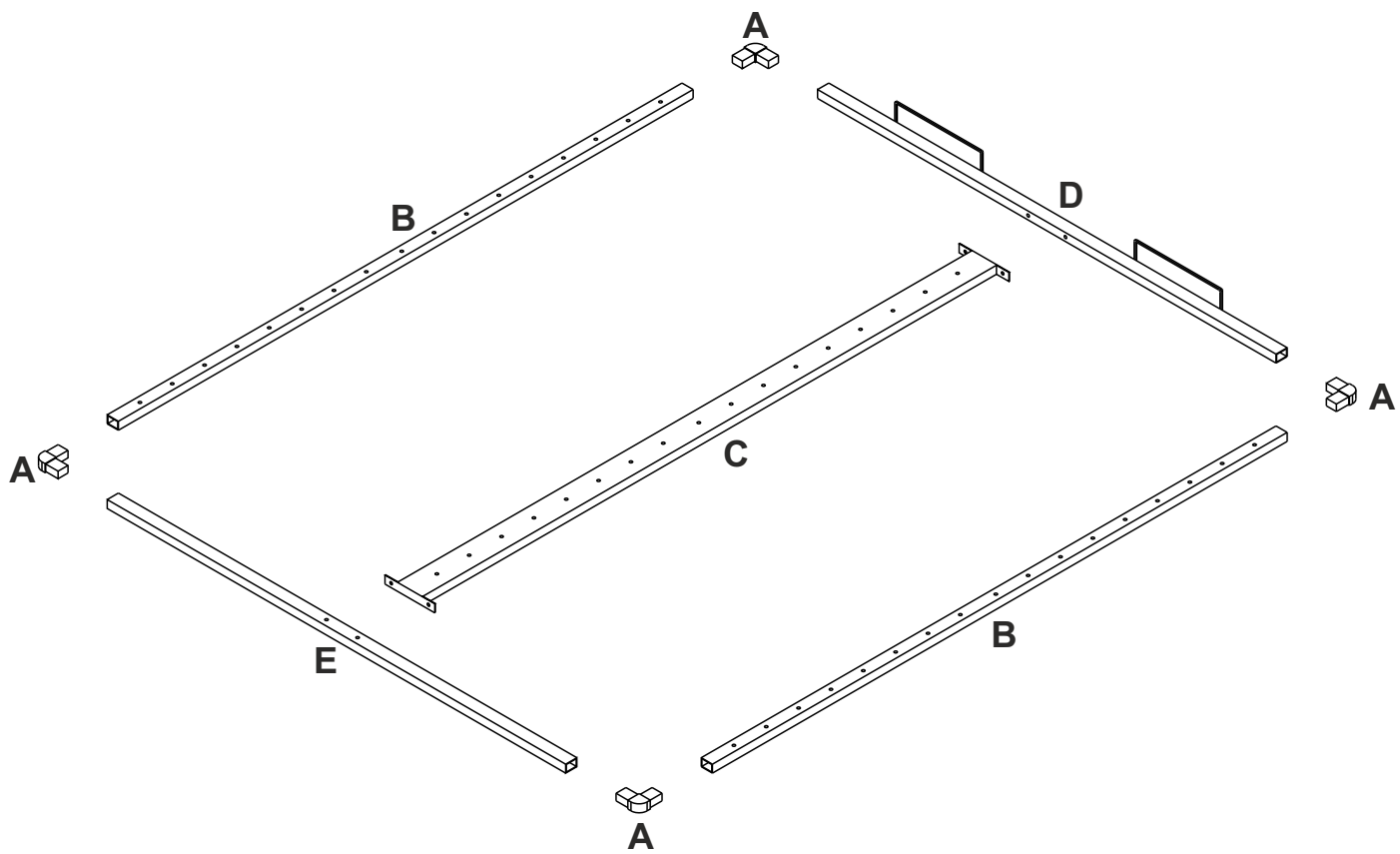


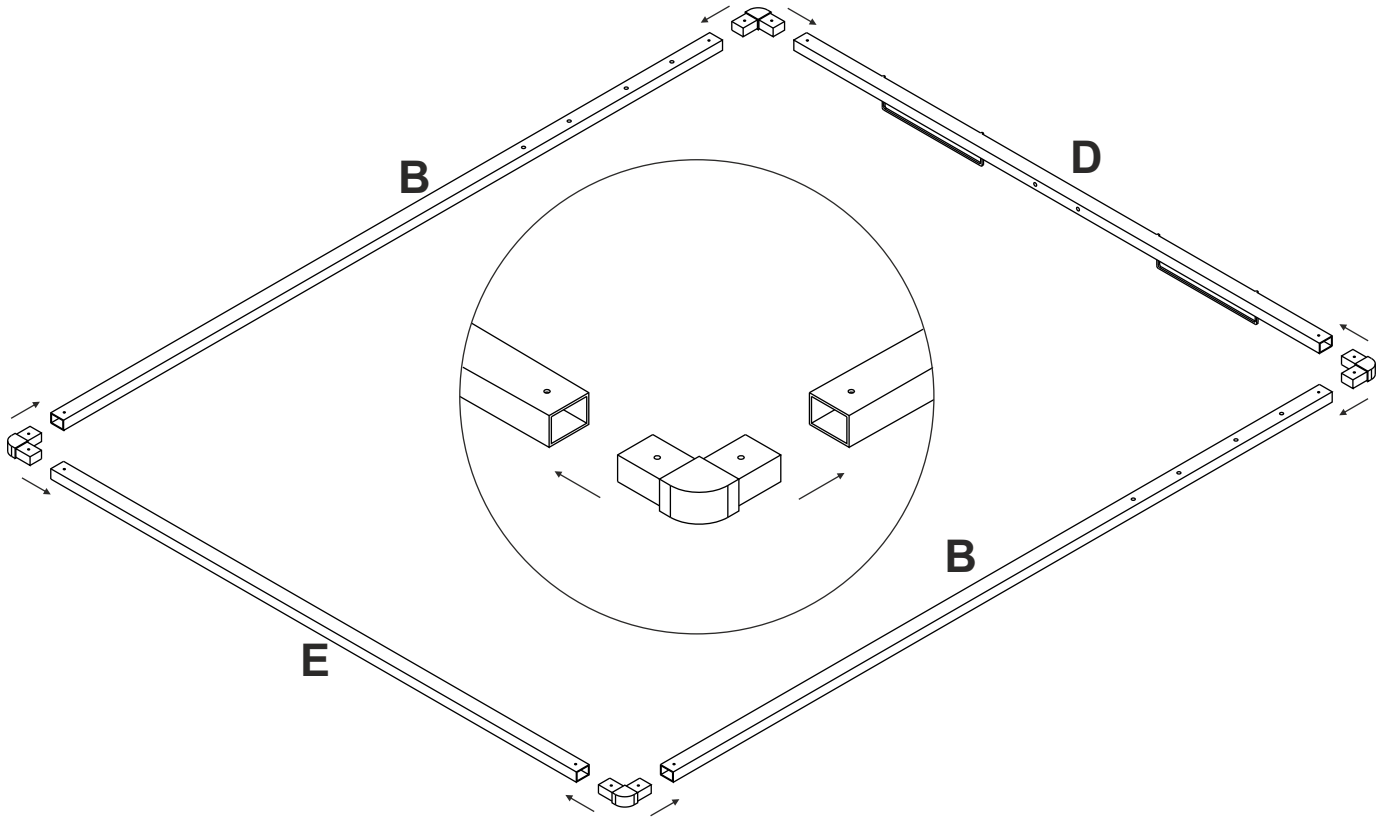
# RAVENNA No1

# DIO

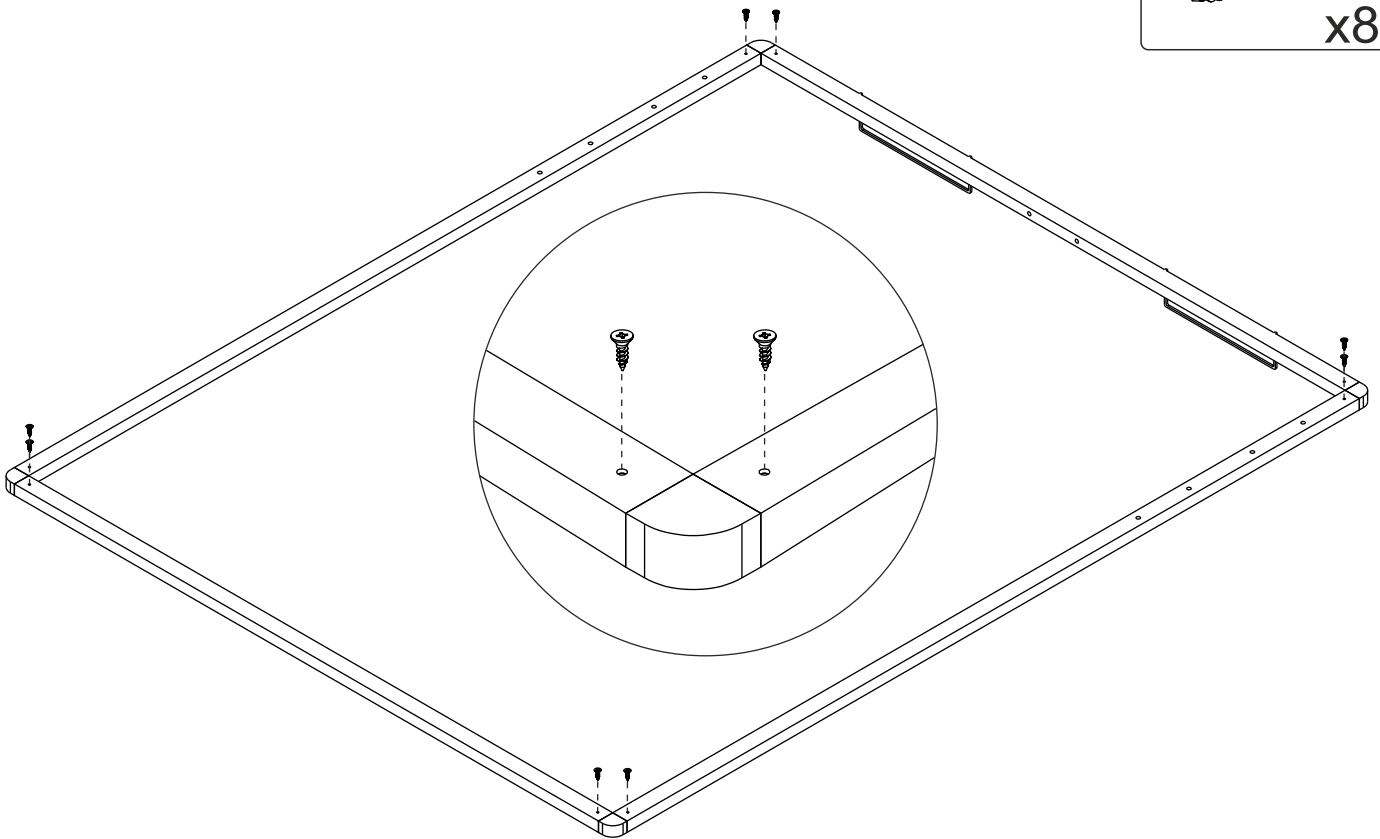
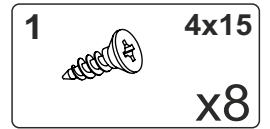




# 1

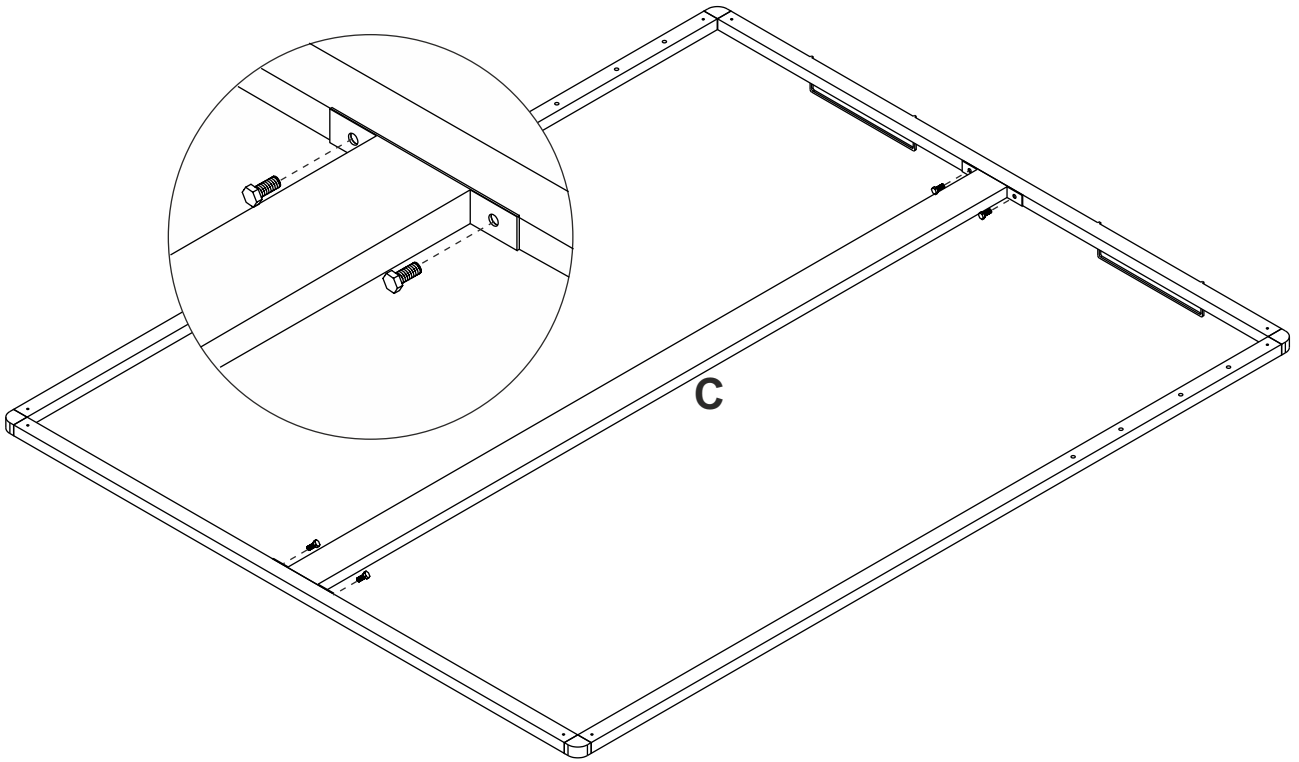


# 2



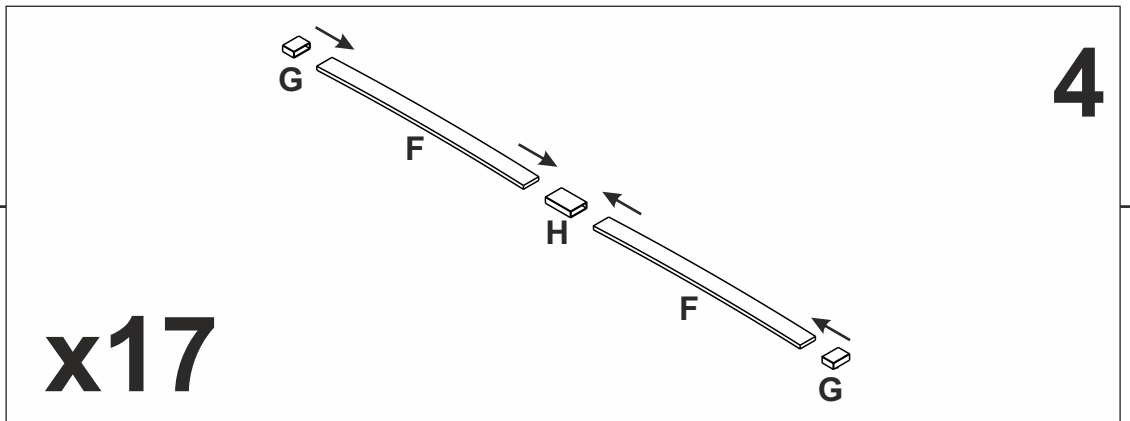
3

3

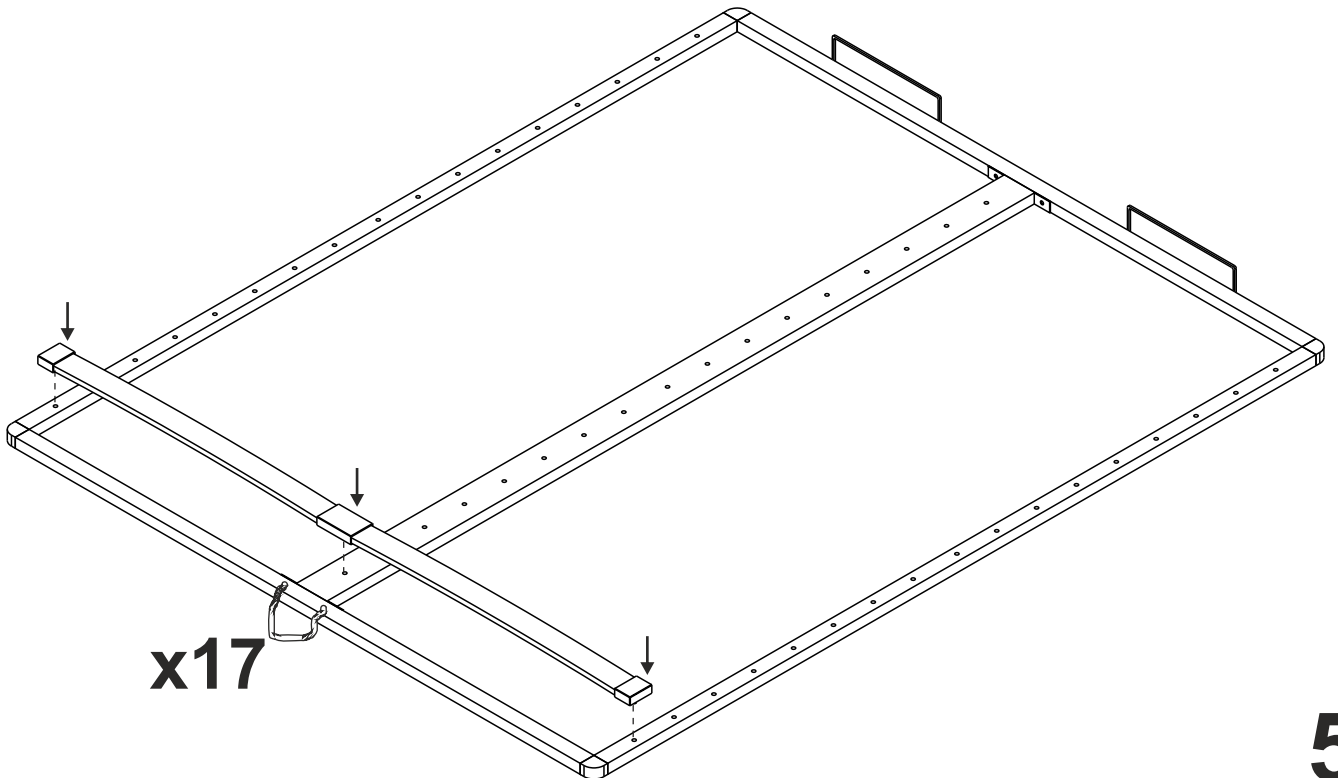


2 M8x20  
x4

4



x17

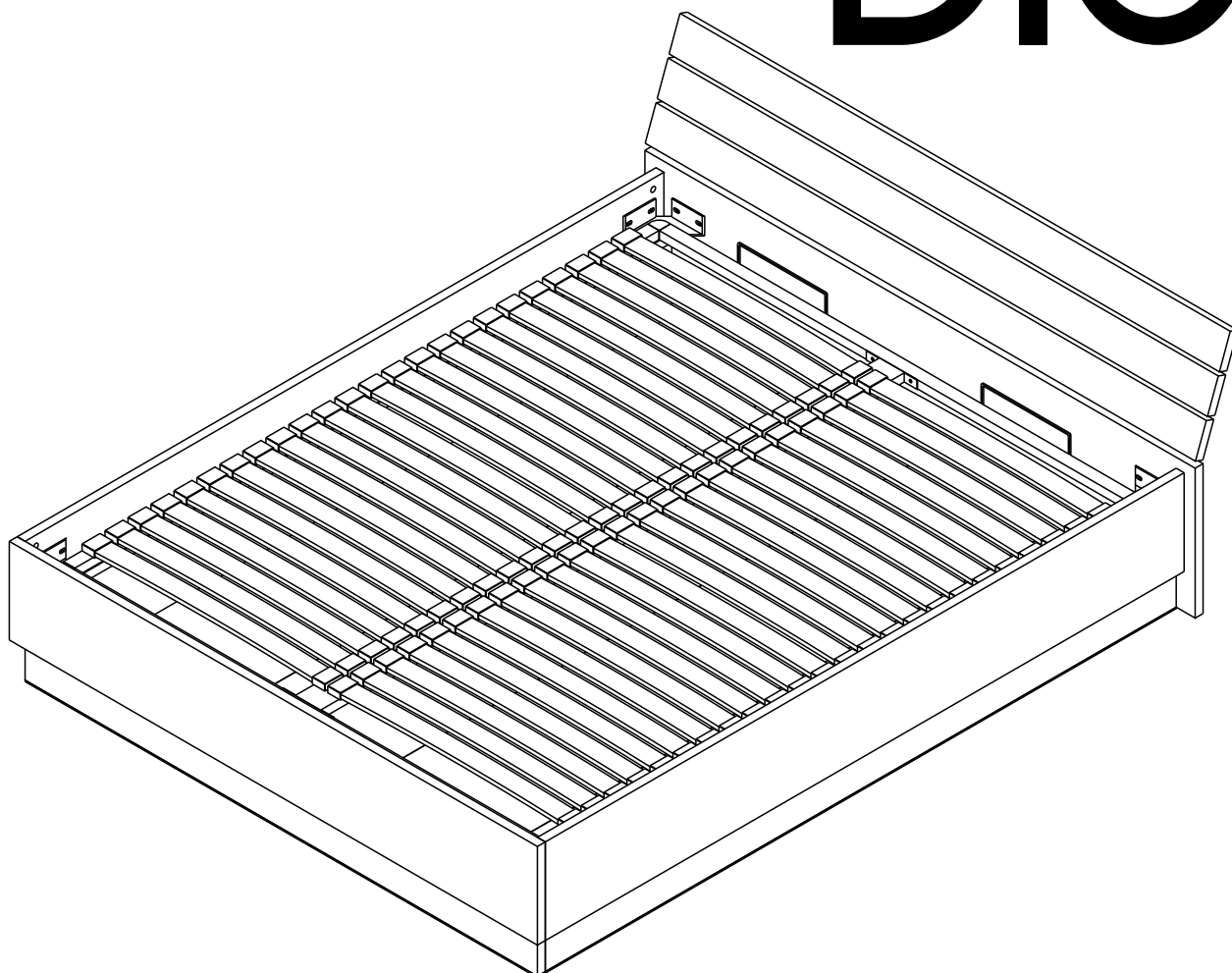





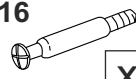

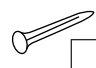

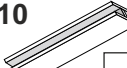


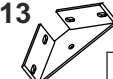
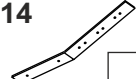





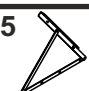
x17

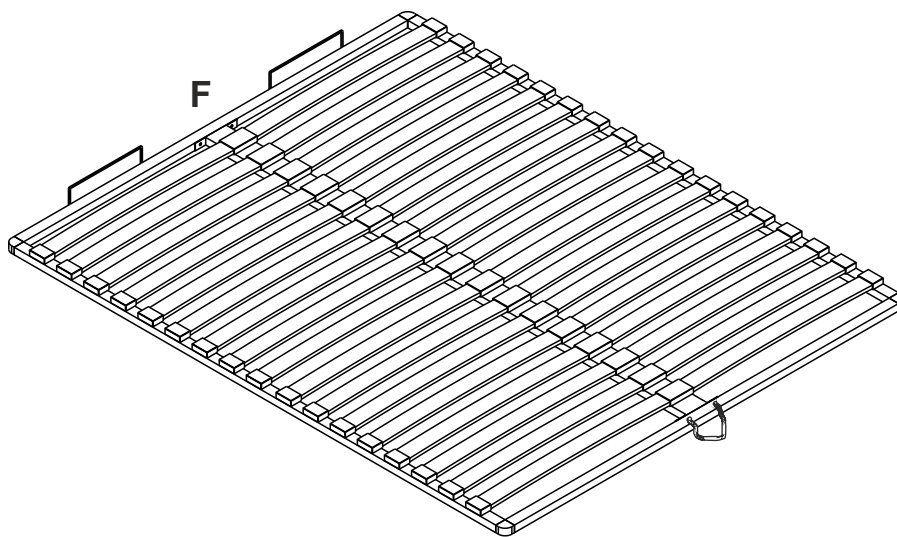
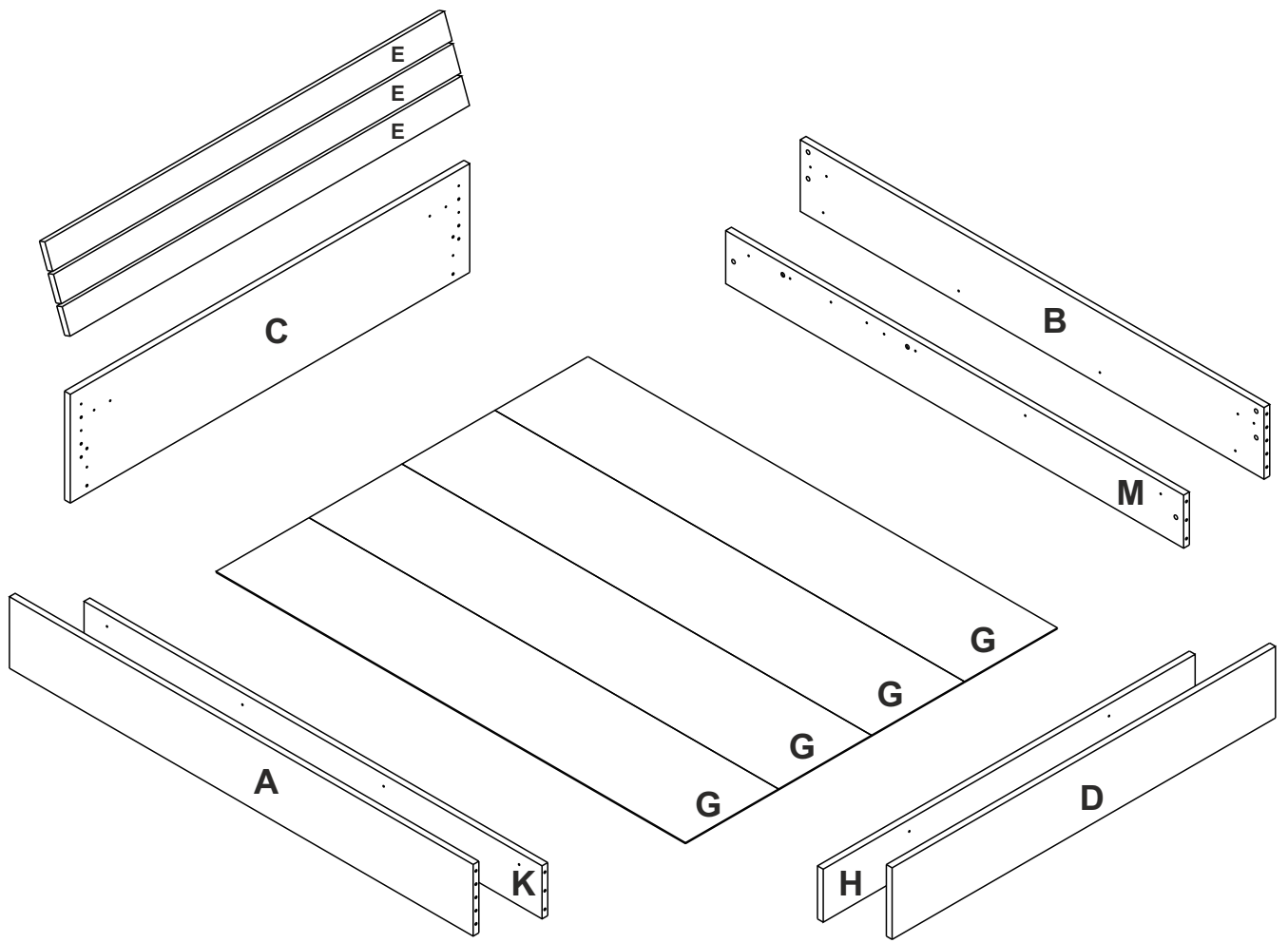
5

# RAVENNA No1

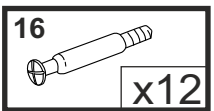
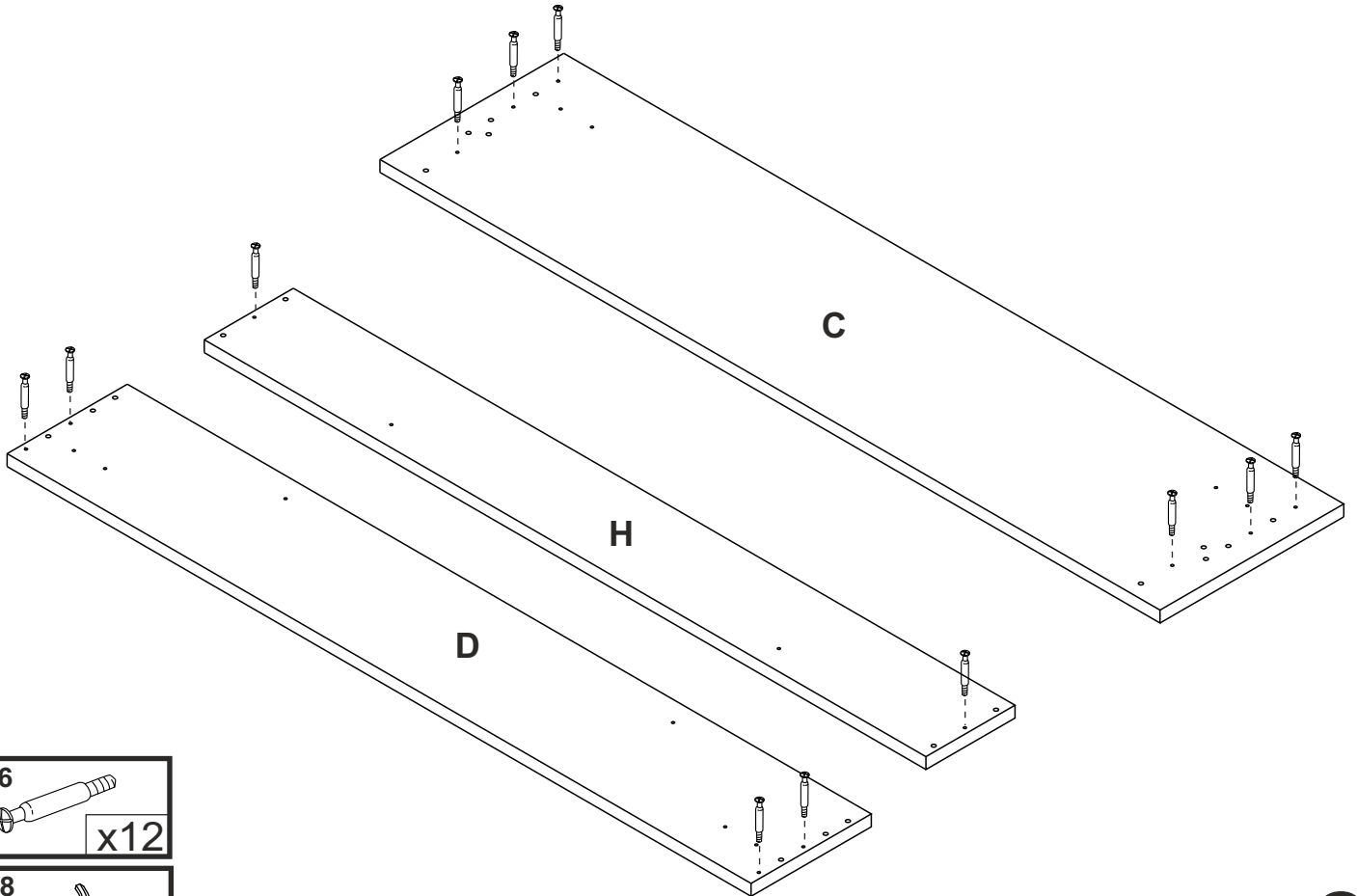
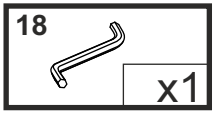
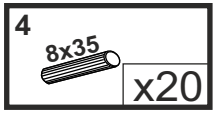
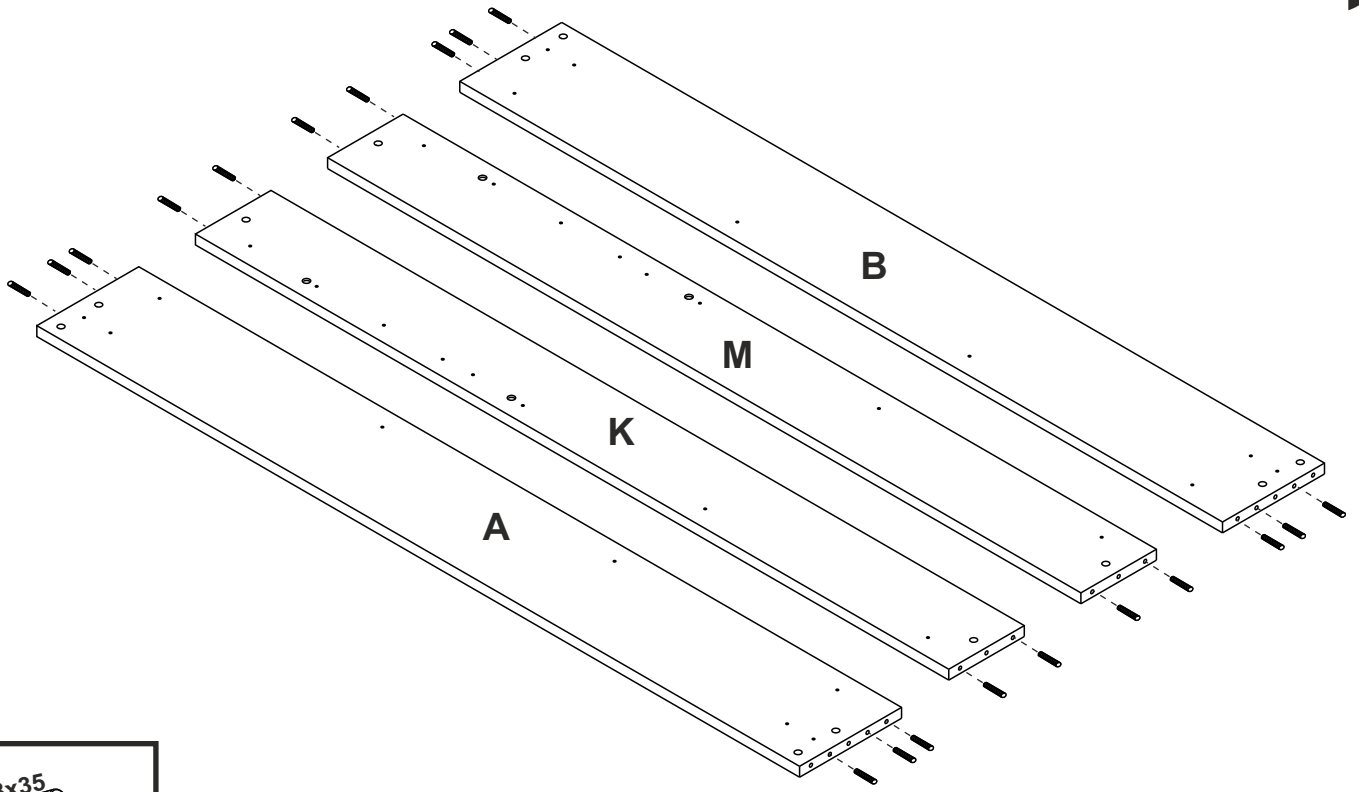
# DIO



2  M8x20 x8	3  x12	4  8x35 x20	16  x12	17  x12	8  x80
9  x4	10  x3	11  6x25 x8	12  6x25 x10	13  x4	14  x3
21  x2	20  M8 x4	5  8x15 x16	18  x1	1  5x15 x24	15  x2

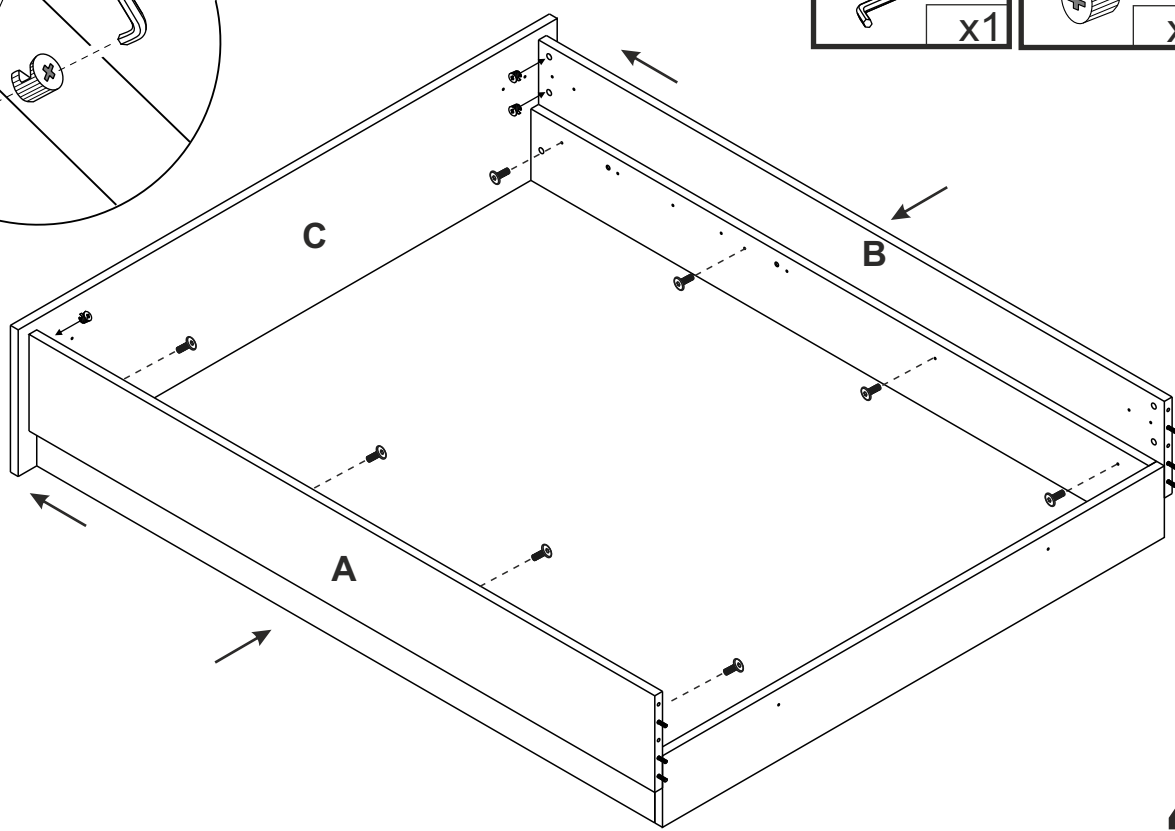
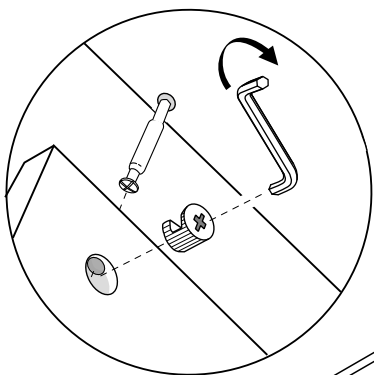
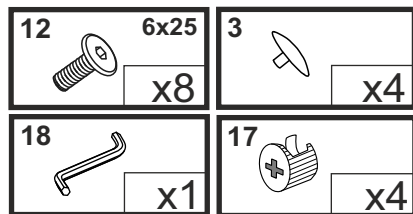
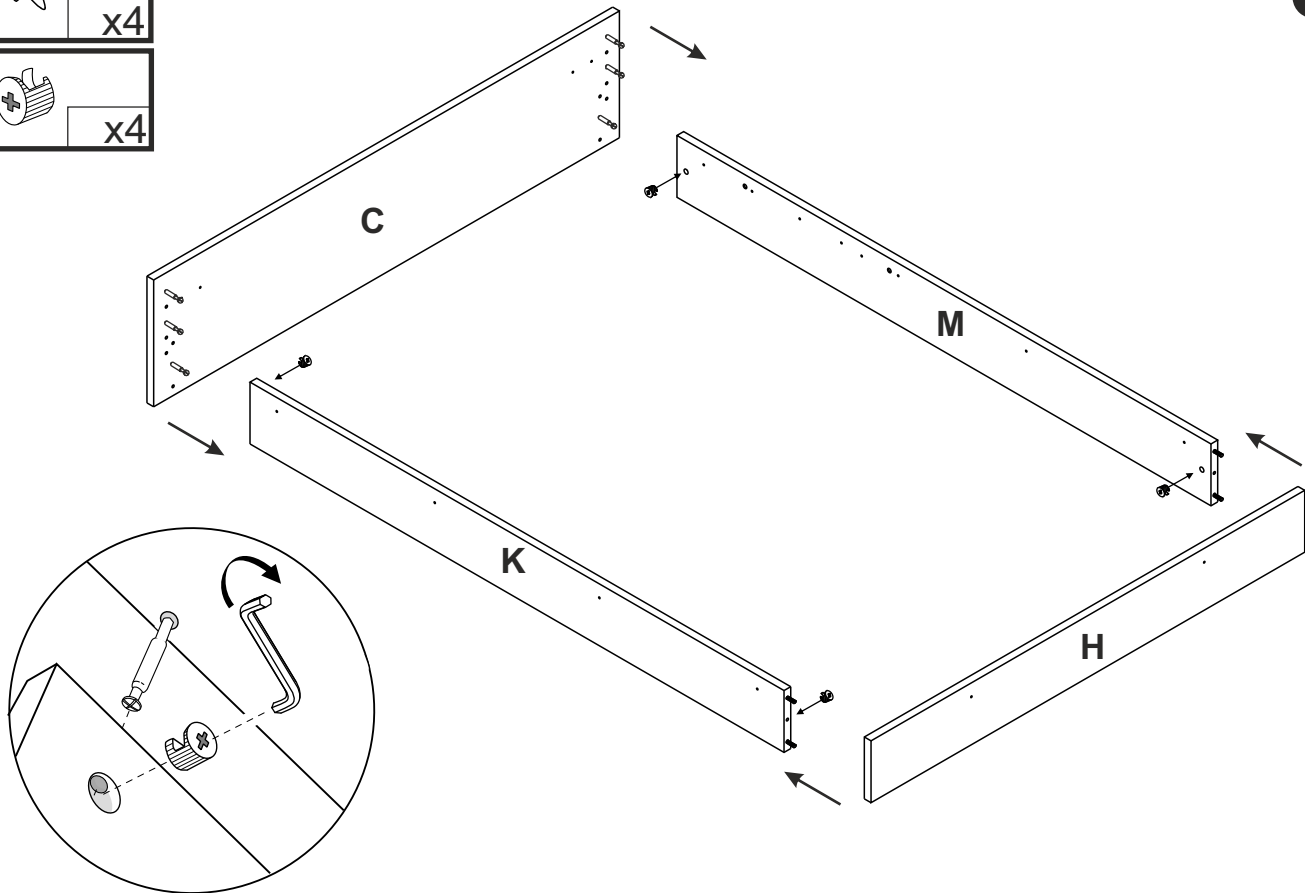
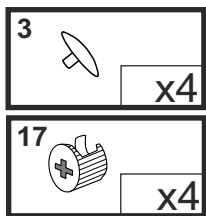


1



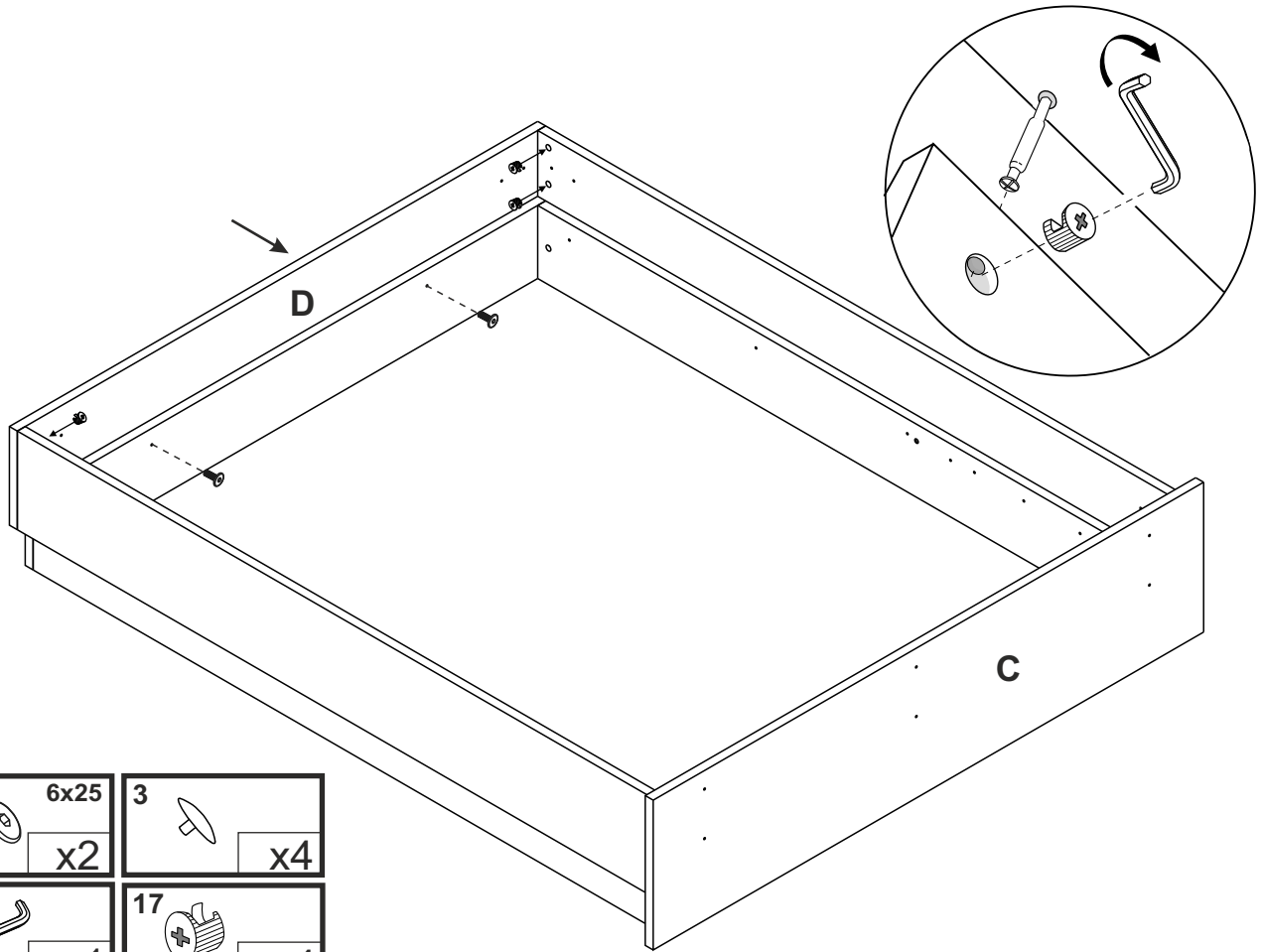
2

3



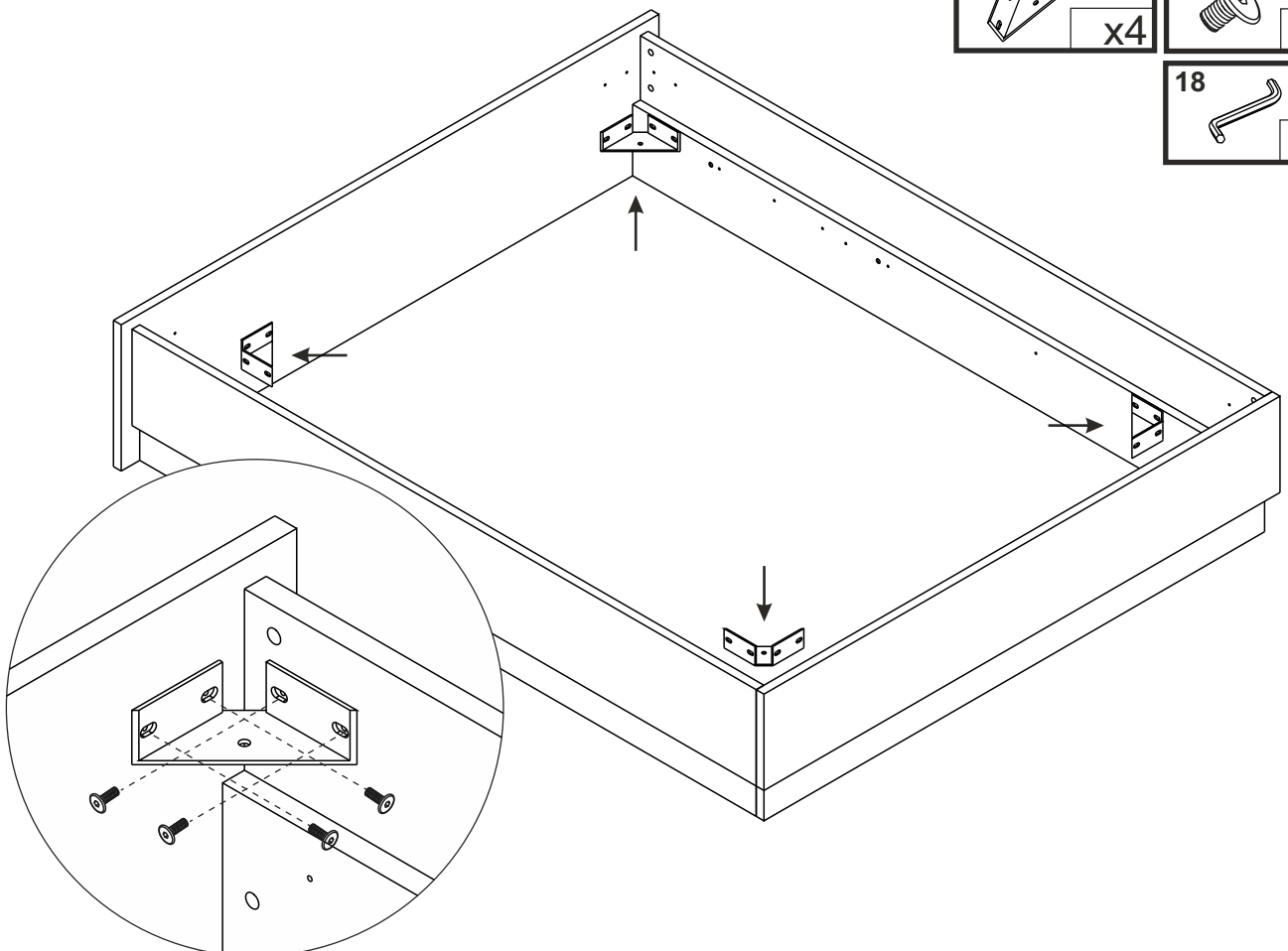


5

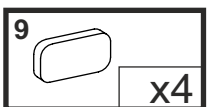
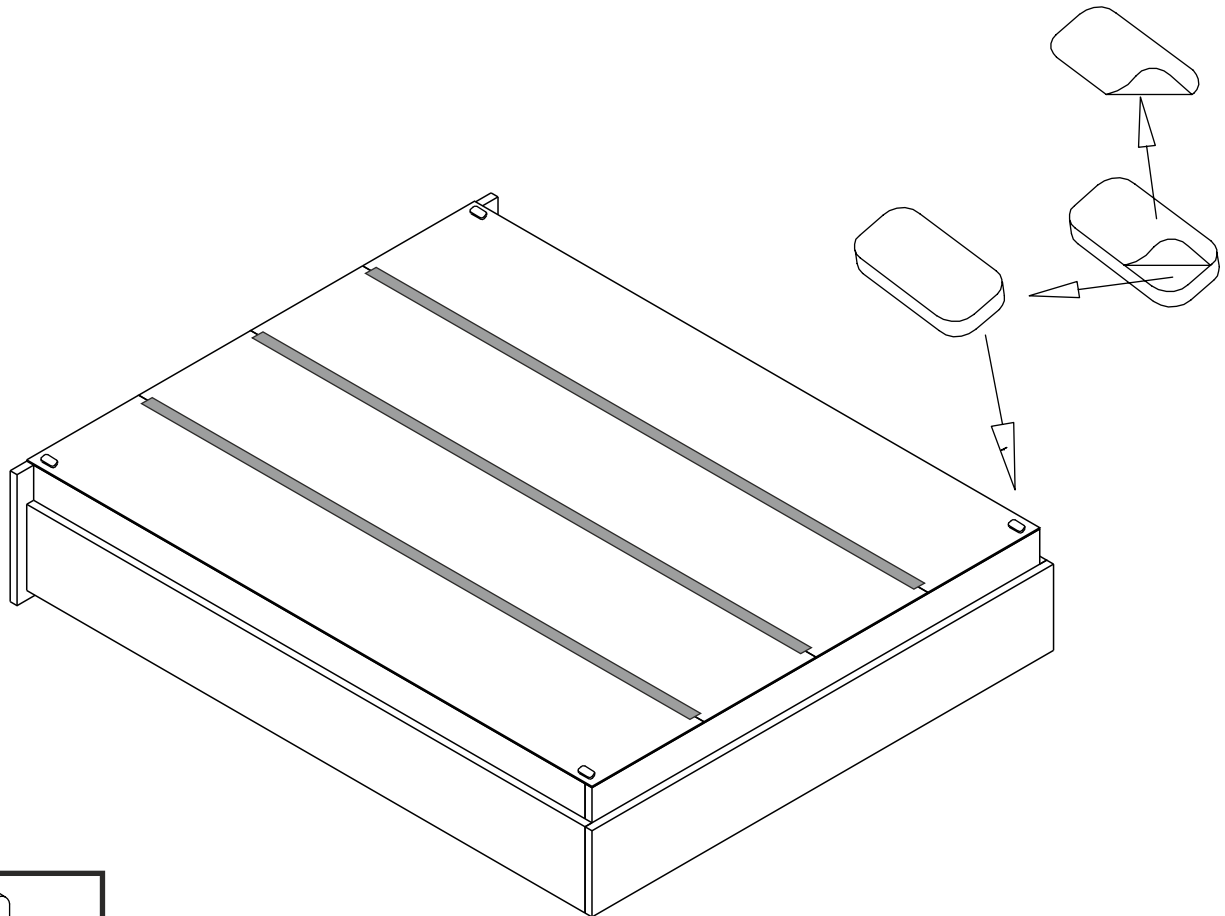
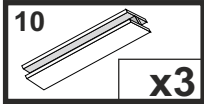
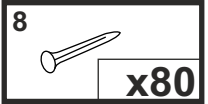
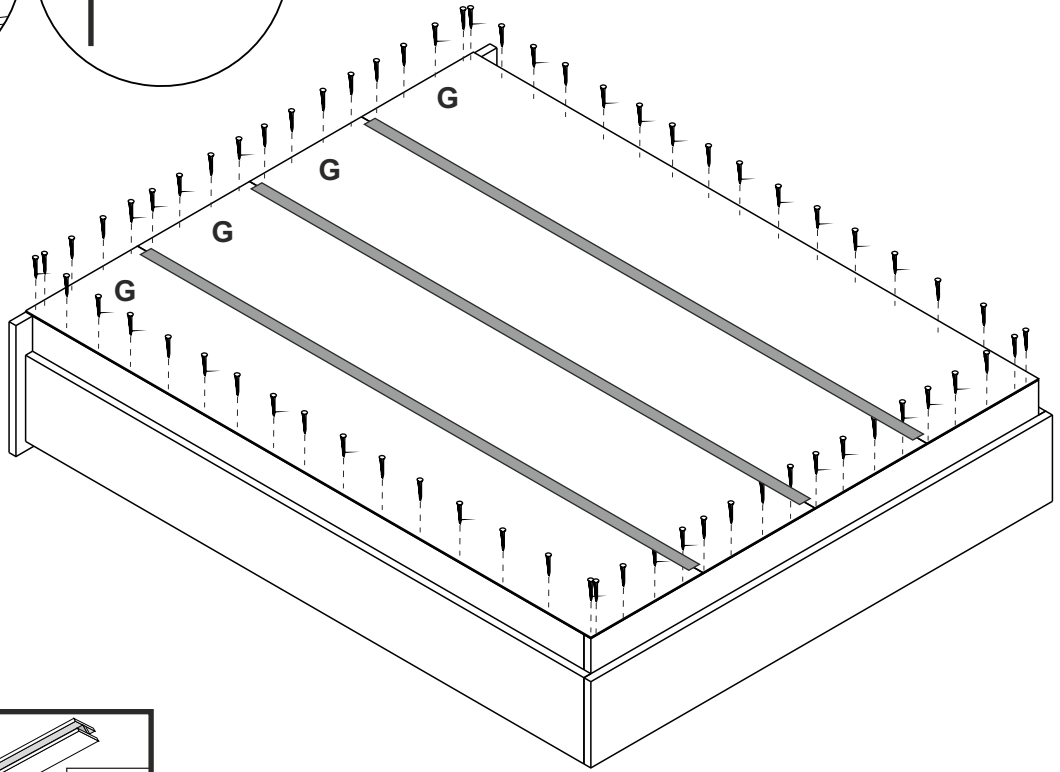
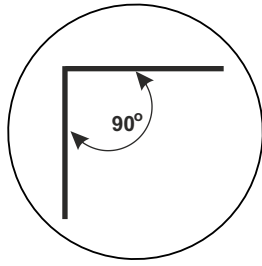
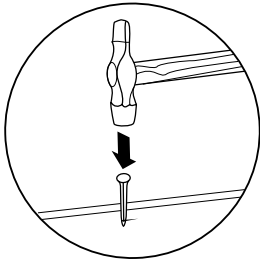


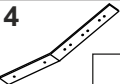

- |    |      |    |    |
|----|------|----|----|
| 12 | 6x25 | 3  |    |
|    | x2   |    | x4 |
| 18 |      | 17 |    |
|    | x1   |    | x4 |

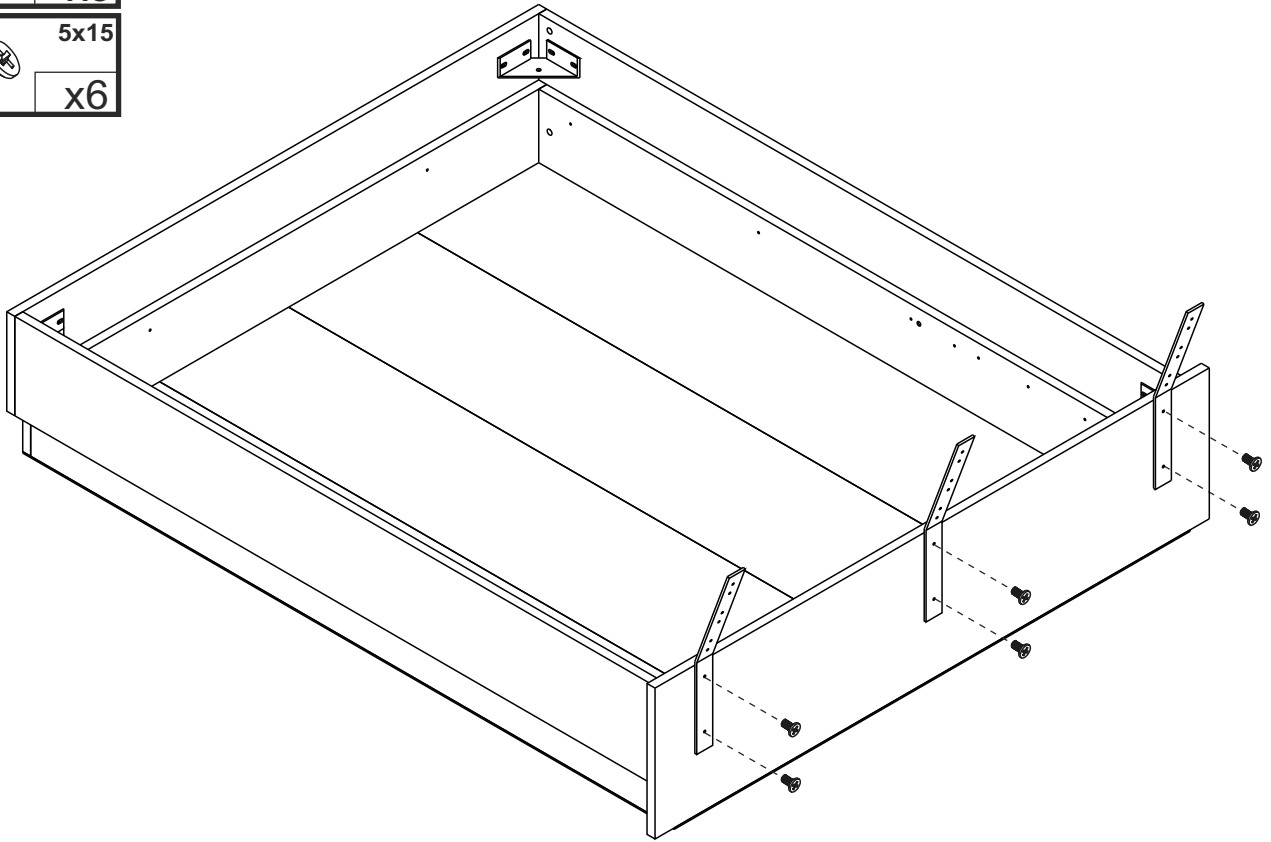
- |    |    |    |      |
|----|----|----|------|
| 13 |    | 5  | 8x15 |
|    | x4 |    | x16  |
|    |    | 18 |      |
|    |    |    | x1   |




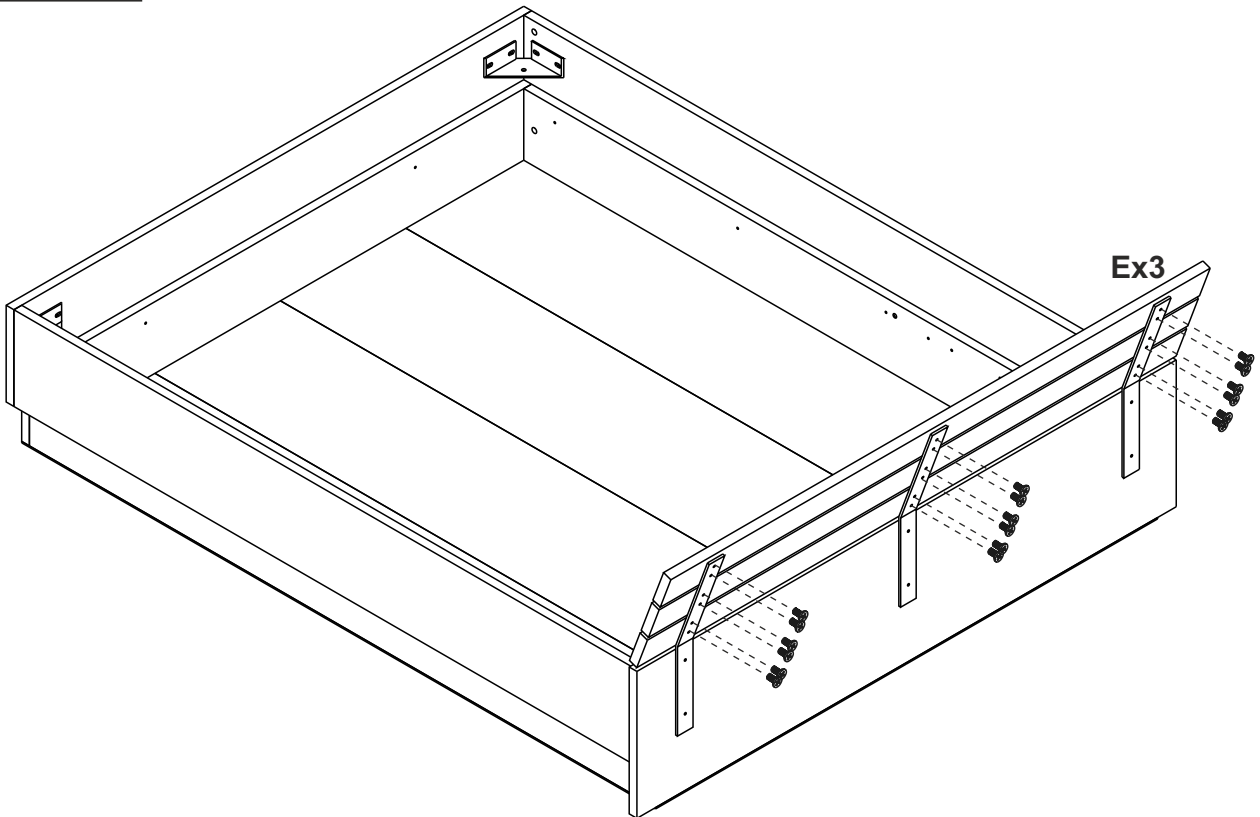
6

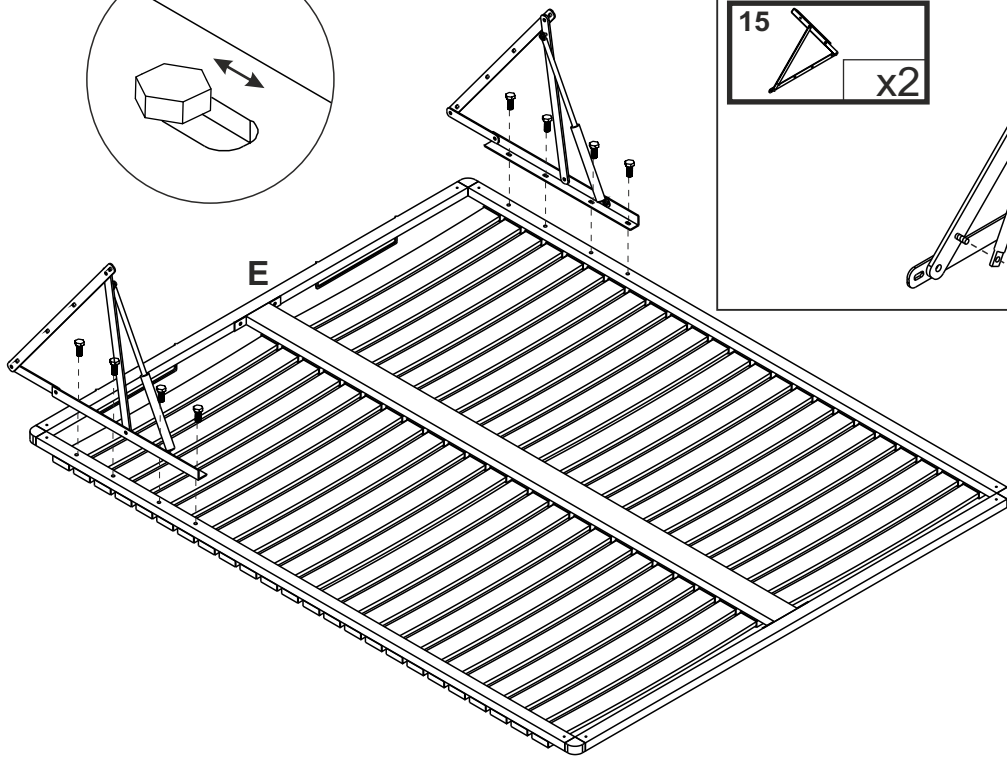
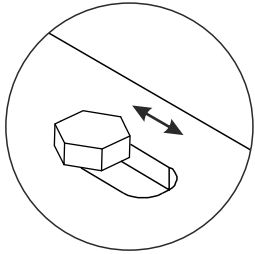
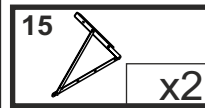
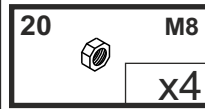
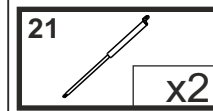
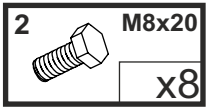


- 14  x3
- 1  5x15 x6



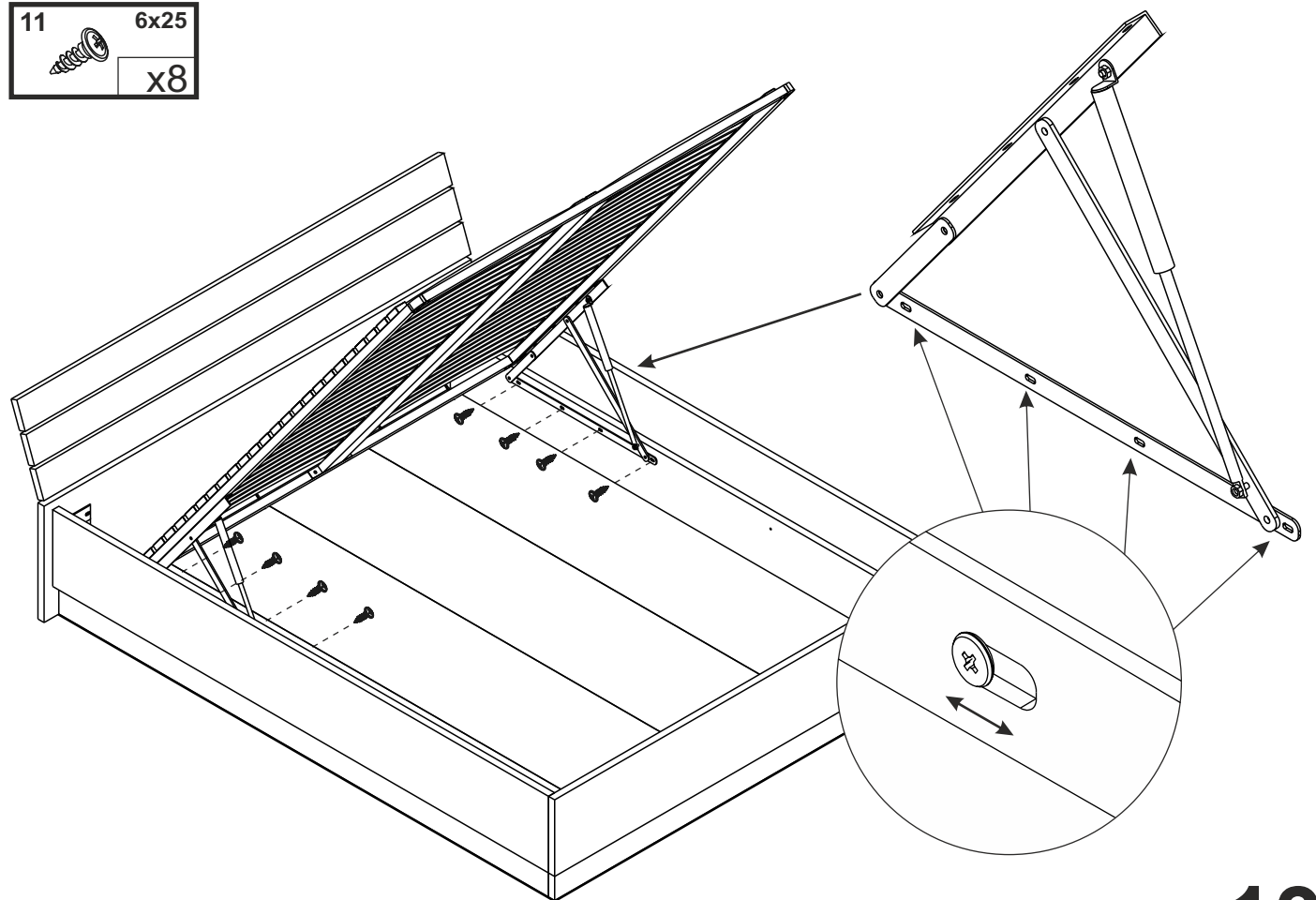
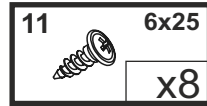
- 1  5x15 x18





11

12



13