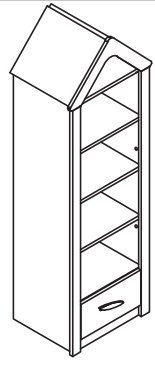





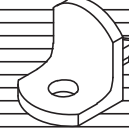

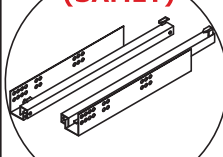

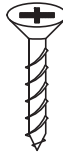
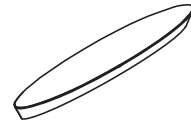
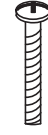
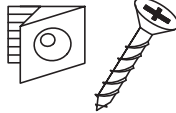

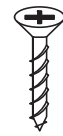
caploonba

GRUP : WHITE HOUSE
GROUP : WHITE HOUSE
ÜRÜN : KİTAPLIK
PRODUCT : BOOKCASE
RENK : BEYAZ*SİS GRİ
COLOUR : WHITE&FOG GRAY

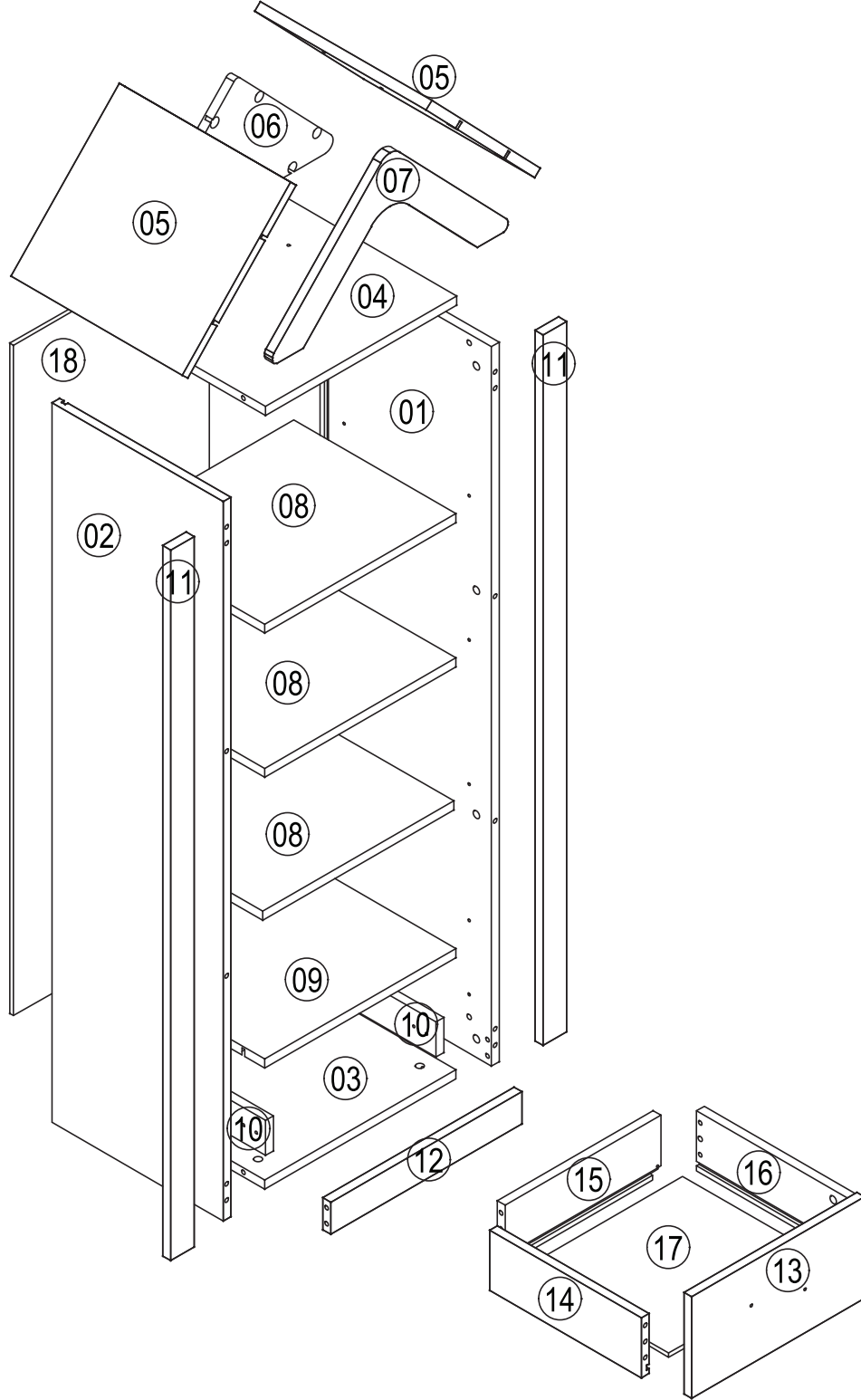
KOD : 466317
CODE : 466317



AKSESUAR LİSTESİ / ACCESSORIES LIST

<p>ACCESSORIE NO : 002 TİTUS MİNİFİX GÖVDE</p>  <p>22 ADET</p>	<p>ACCESSORIE NO : 317 10'LUK MİNİFİX MİL</p>  <p>22 ADET</p>	<p>ACCESSORIE NO : 004 Ø8x30 KAVELA</p>  <p>14 ADET</p>	<p>ACCESSORIE NO : 406 PLS. RAF PİMİ EURO VİDALI</p>  <p>13 ADET</p>	<p>ACCESSORIE NO : 120 6.3*13 MM EURO VİDA</p>  <p>17 ADET</p>
<p>ACCESSORIE NO : 410 TANDEM RAY 350 (SAMET)</p>  <p>1 TAKIM</p>	<p>ACCESSORIE NO : 563 RAFİX MİL (11)</p>  <p>14 ADET</p>	<p>ACCESSORIE NO : 095 4*30 MM S. VİDASI</p>  <p>4 ADET</p>	<p>ACCESSORIE NO : 418 ATLAS KULP BEYAZ</p>  <p>1 ADET</p>	<p>ACCESSORIE NO : 533 3,9*28 MM PLS.VİDA</p>  <p>2 ADET</p>
<p>ACCESSORIE NO : 011 ARKALIK SABİTLEME 3.5x25 S.VİDASI</p>  <p>8 ADET</p>	<p>ACCESSORIE NO : 588 KÖŞE L DEMİRİ</p>  <p>1 ADET</p>	<p>ACCESSORIE NO : 113 3.5*18 MM S. VİDASI</p>  <p>2 ADET</p>		

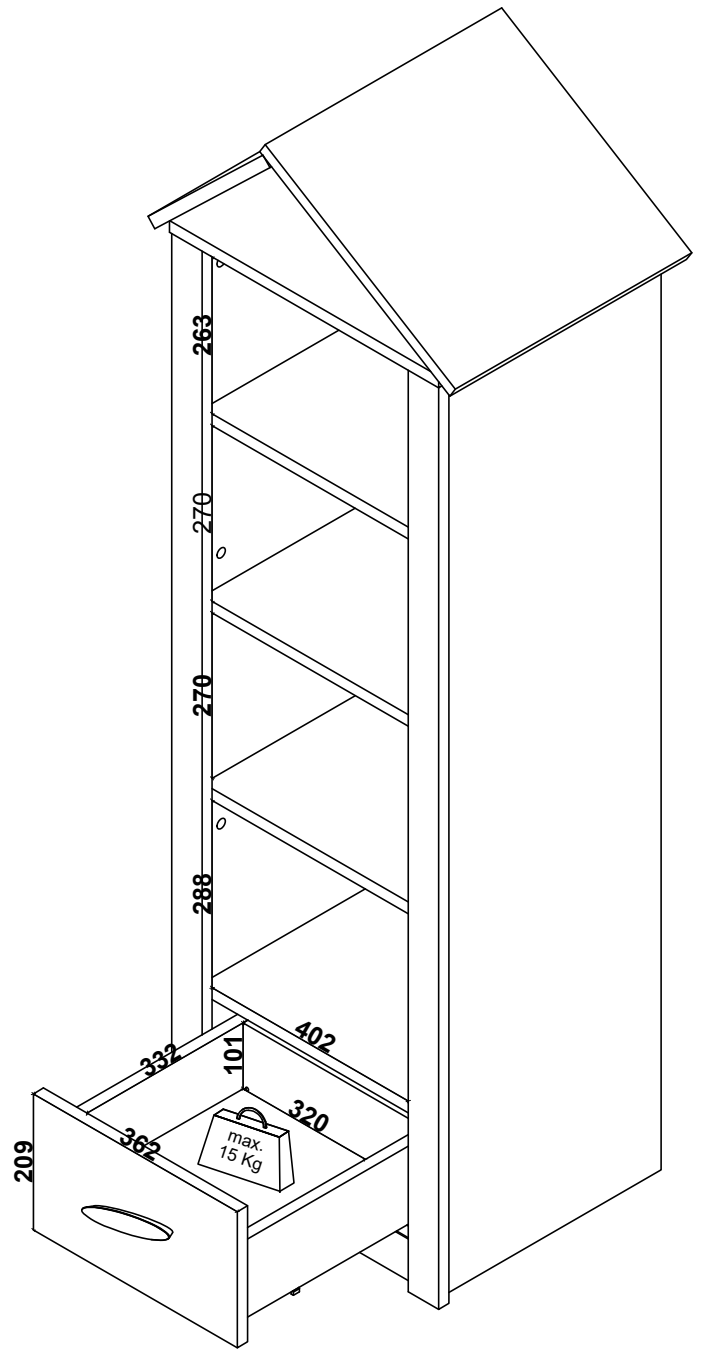
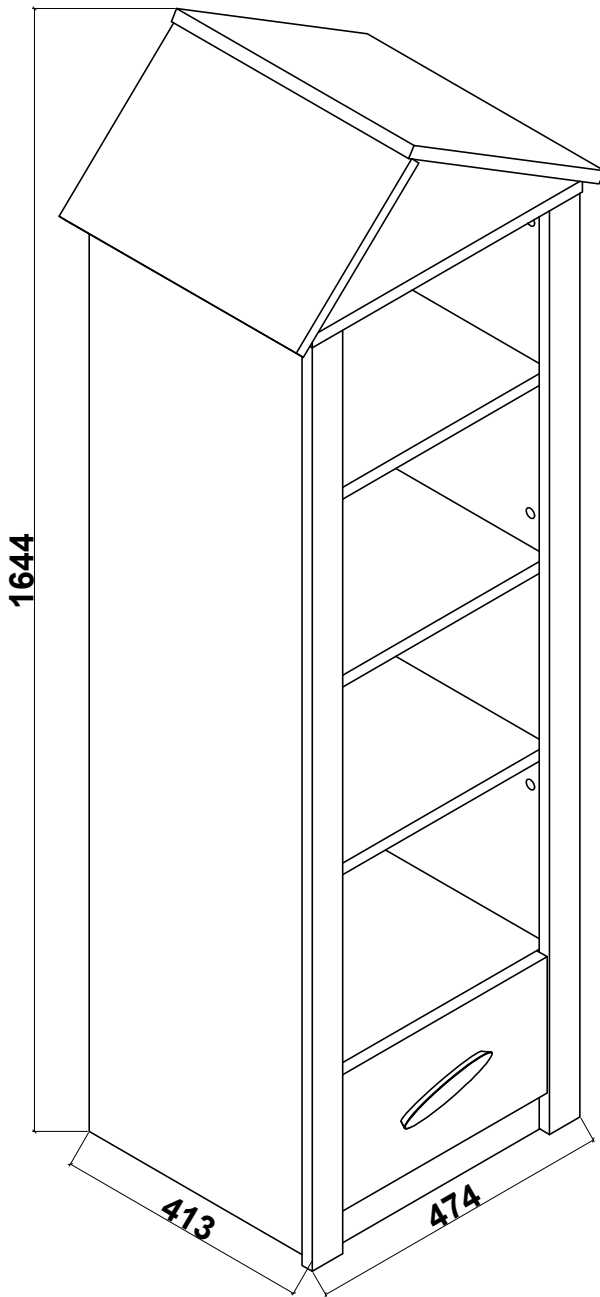
YEDEK AKSESUAR SİPARİŞLERİNİ RESME BAKARAK VERİNİZ. (Örn:ACCESSORIE.NO:008 - RAFİX MİL - 1 Ad.)
PLEASE ORDER THE ACCESSORIES ACCORDING TO THE REFERENCE NUMBER ON THE DRAWING(EXAMPLE ACCESSORIE NO-008 RAFİX MİL 1.PCS.)



FR-002

NO	ADET/PCS	NO	ADET/PCS	NO	ADET/PCS
01	1	11	2		
02	1	12	1		
03	1	13	1		
04	1	14	1		
05	2	15	1		
06	1	16	1		
07	1	17	1		
08	3	18	1		
09	1				
10	2				

YEDEK PARÇA SİPARİŞLERİNİ RESME BAKARAK PARÇA NUMARASINA GÖRE VERİNİZ
PLEASE ORDER THE SPARE PARTS ACCORDING TO THE REFERENCE NUMBER ON THE DRAWING



1

466317

095



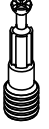
4x

002



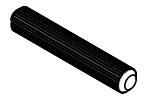
8x

317



8x

004

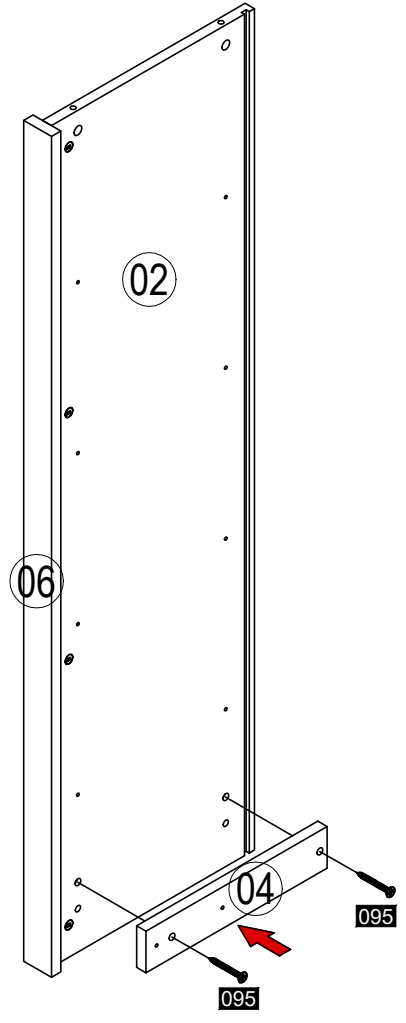
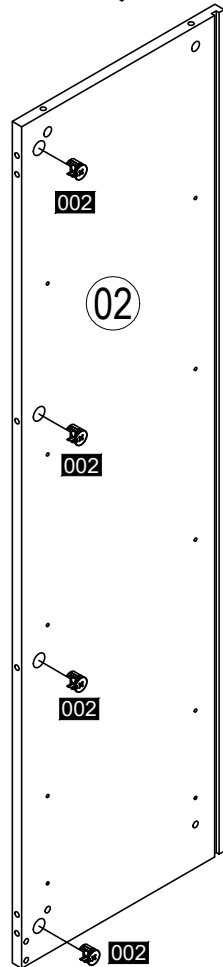
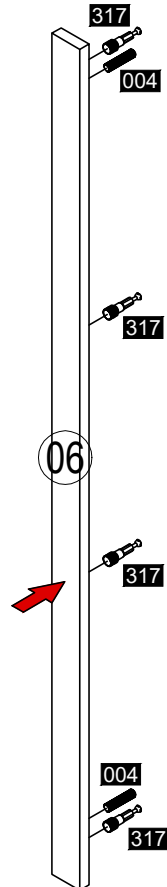
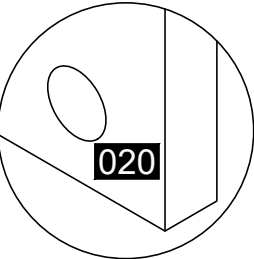
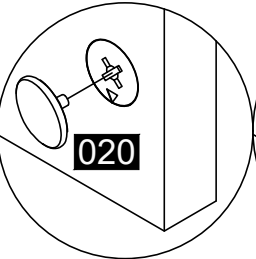
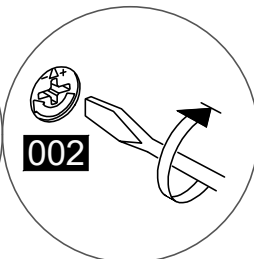
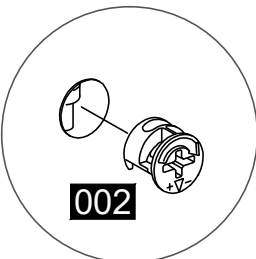
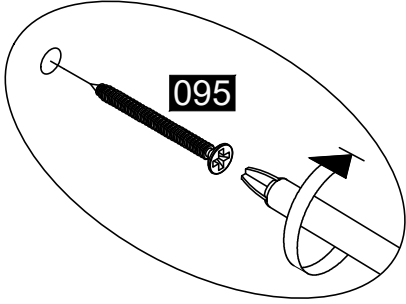
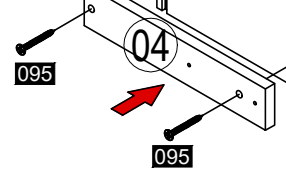
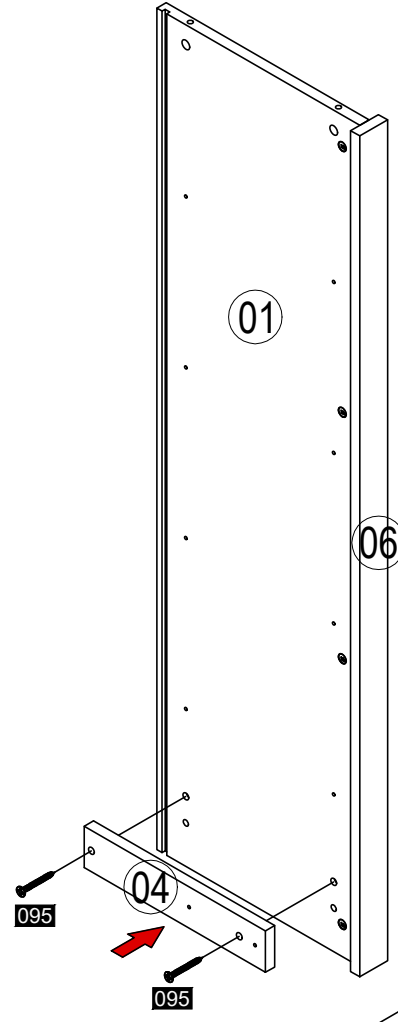
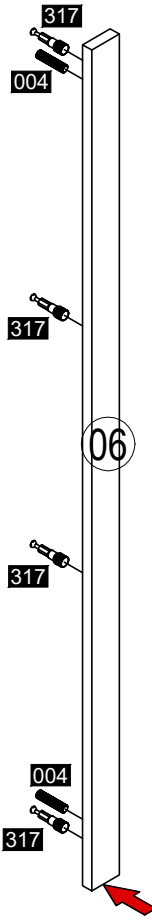
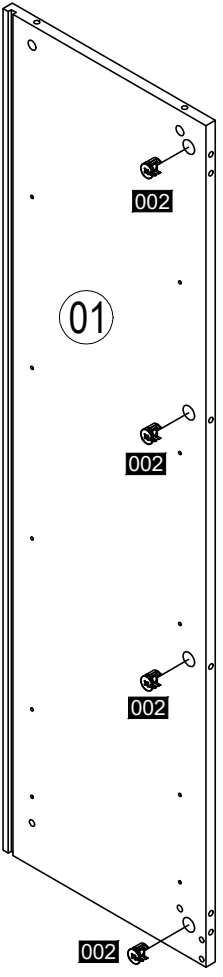


4x

020

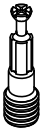


6x





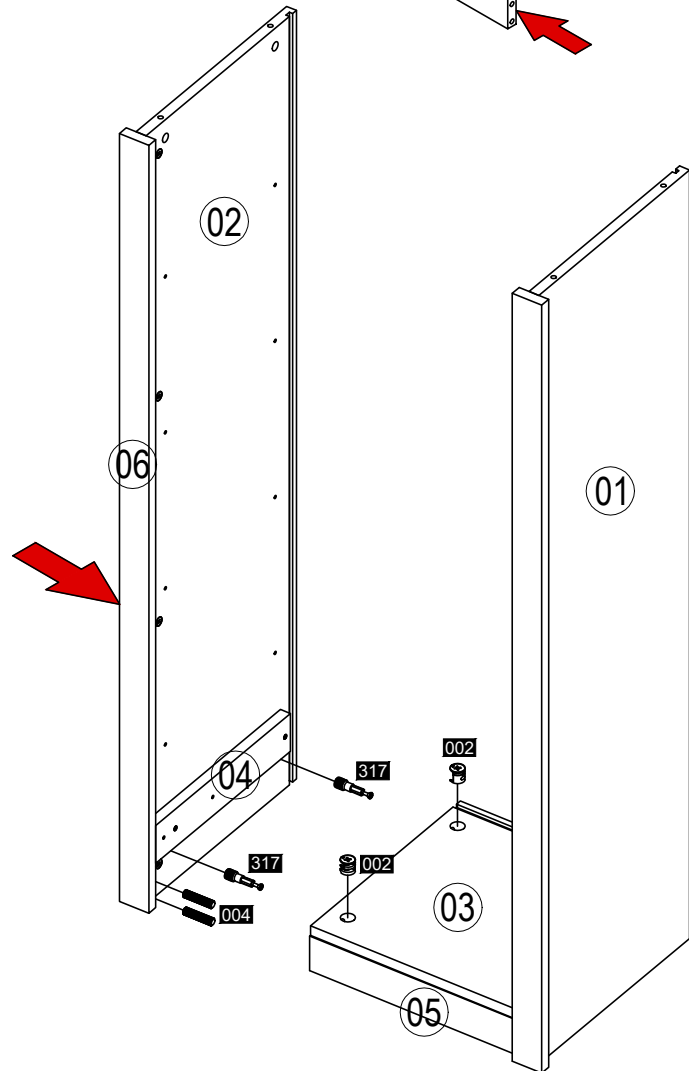
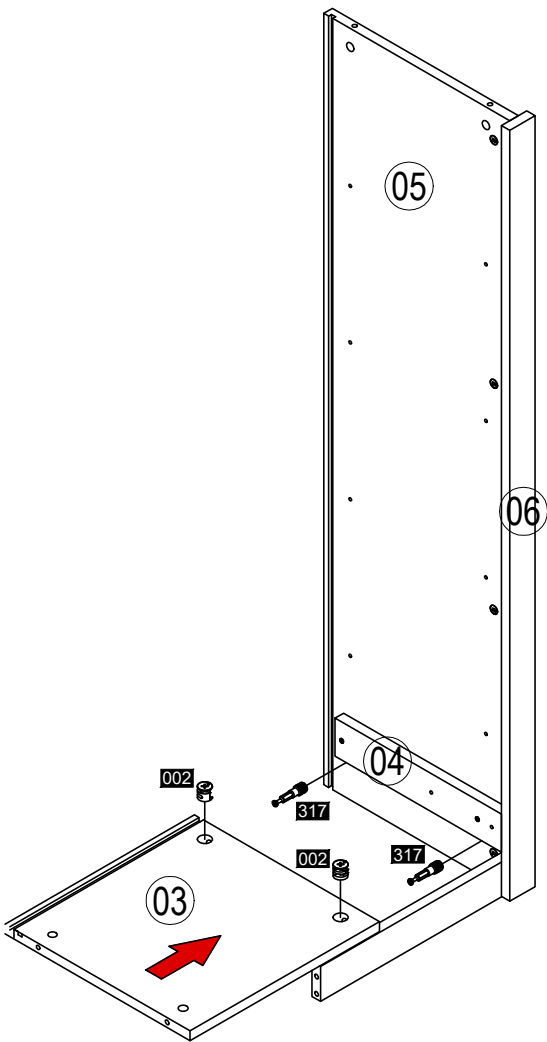
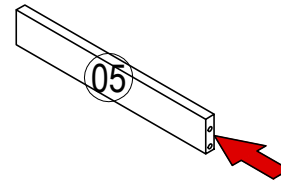
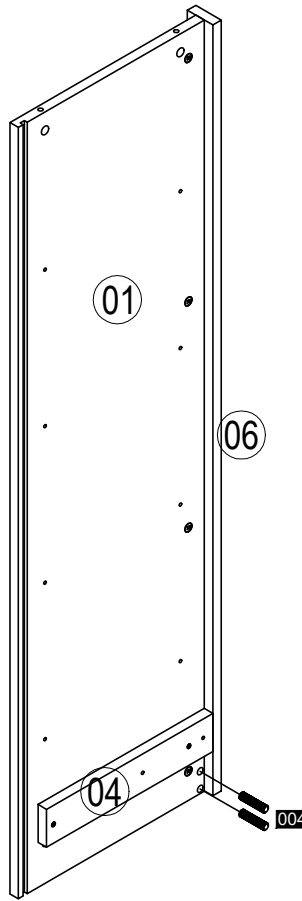
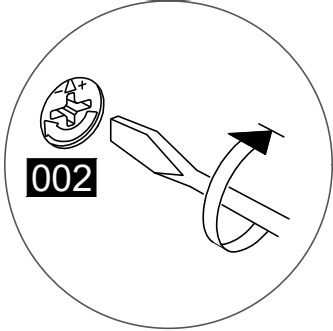
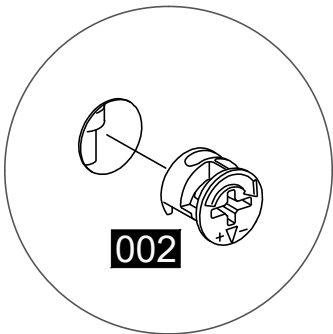
4x

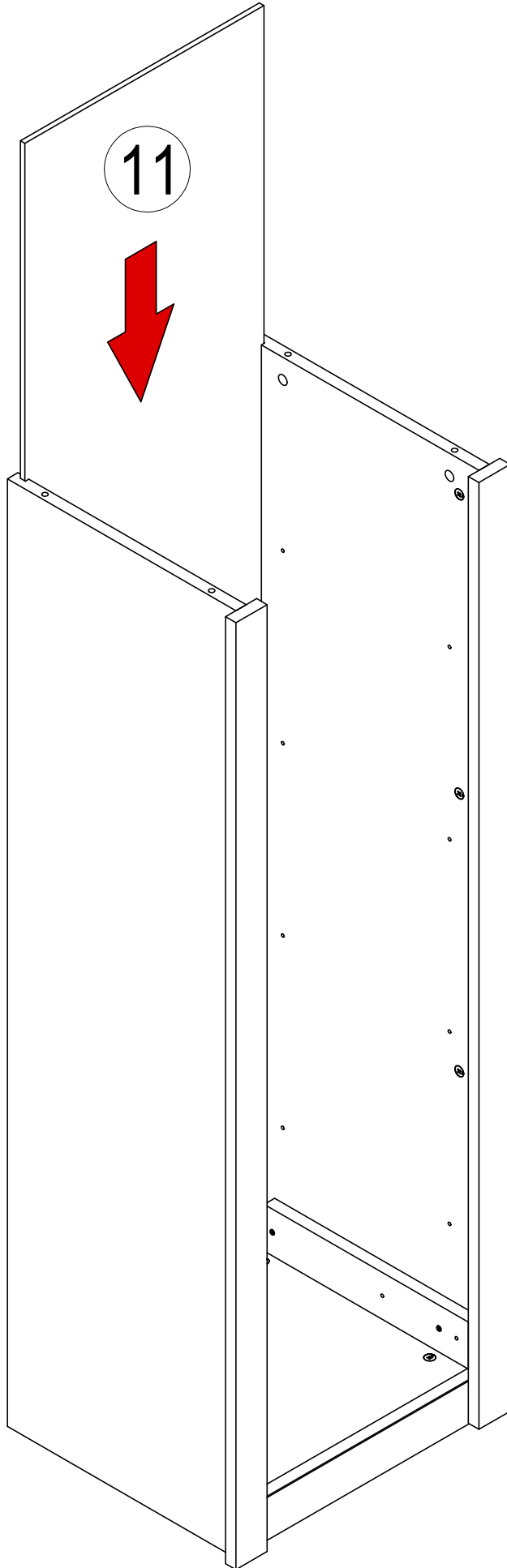


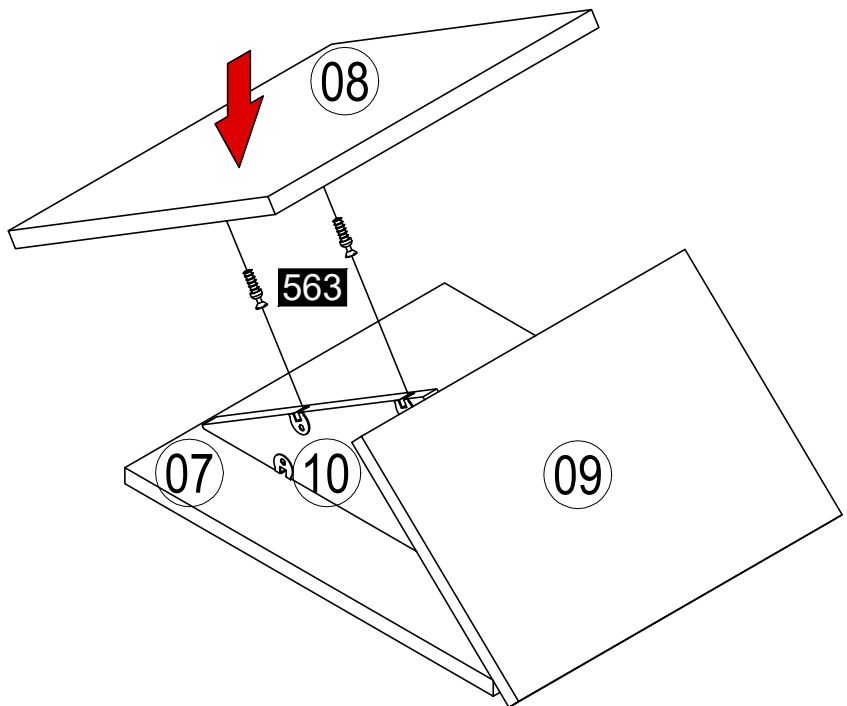
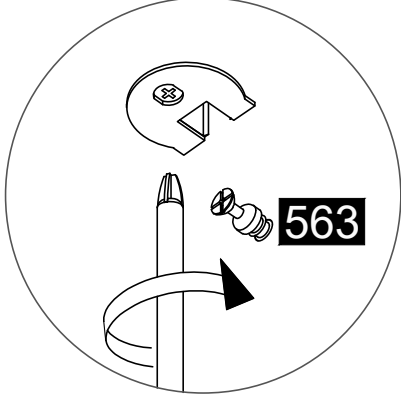
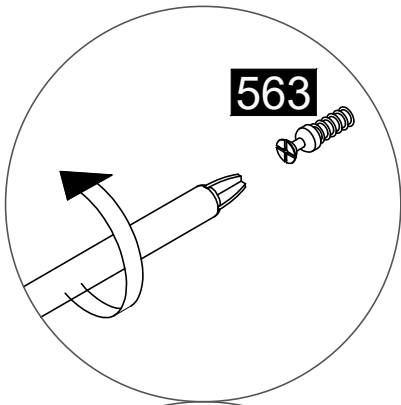
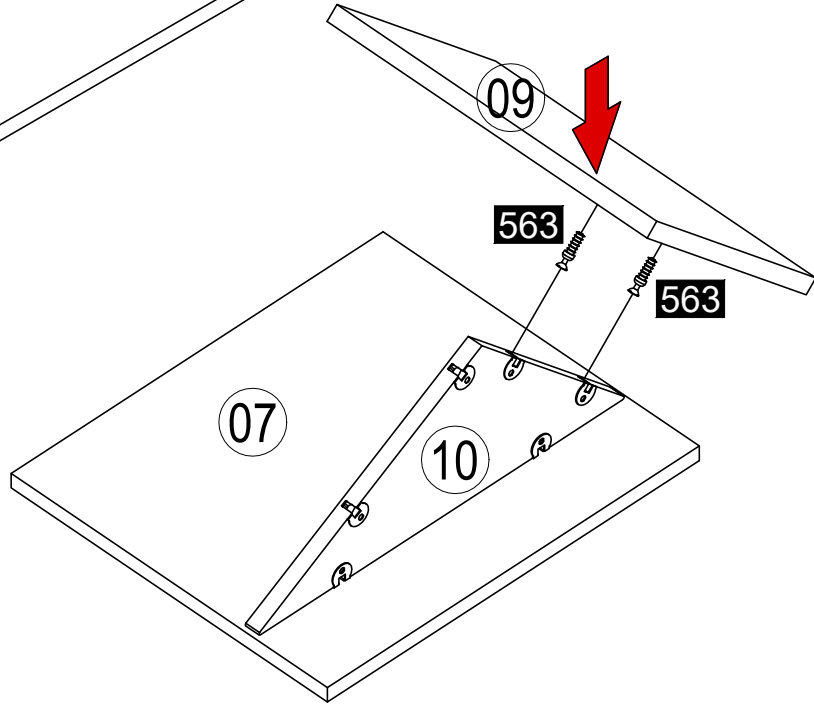
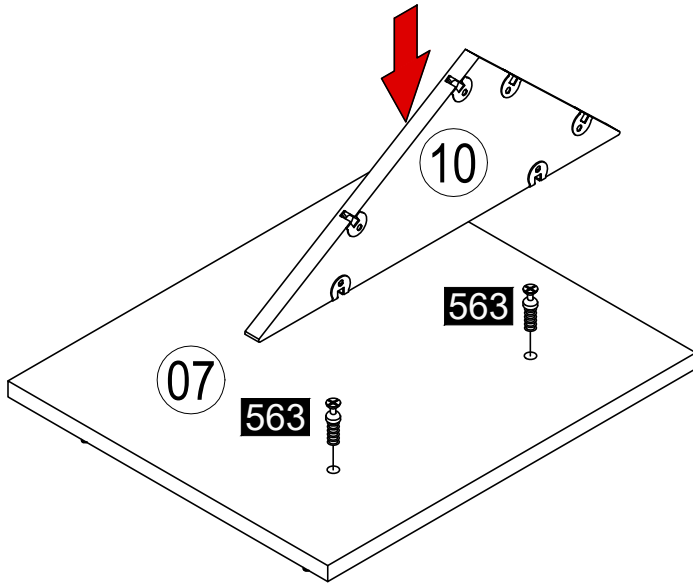
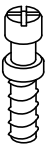
4x



4x

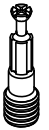








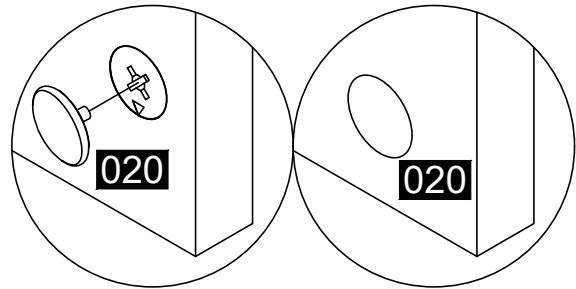
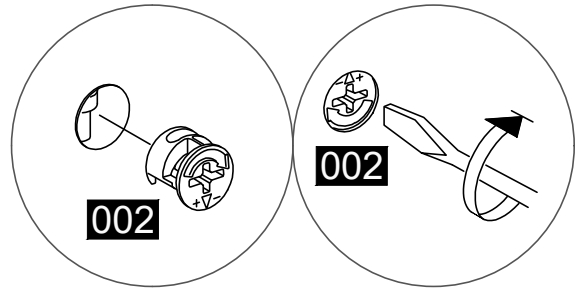
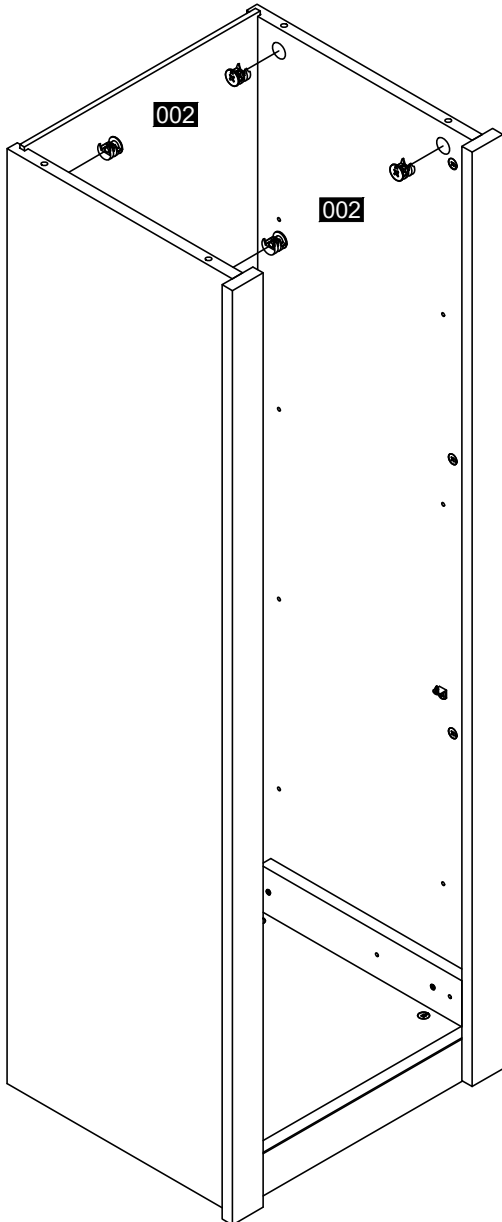
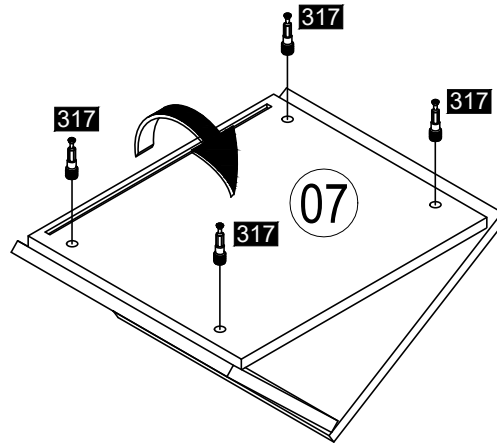
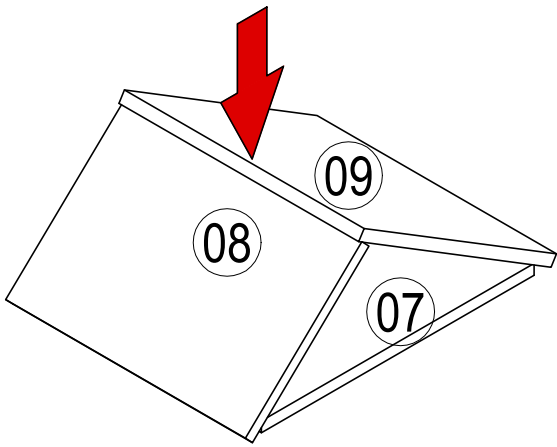
4x



4x



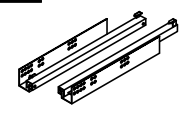
4x



6

466317

410

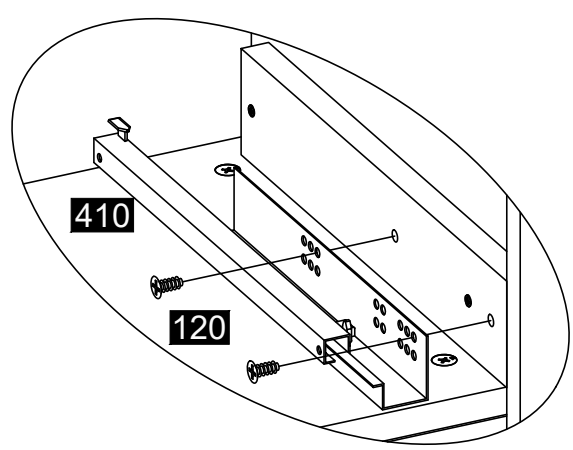
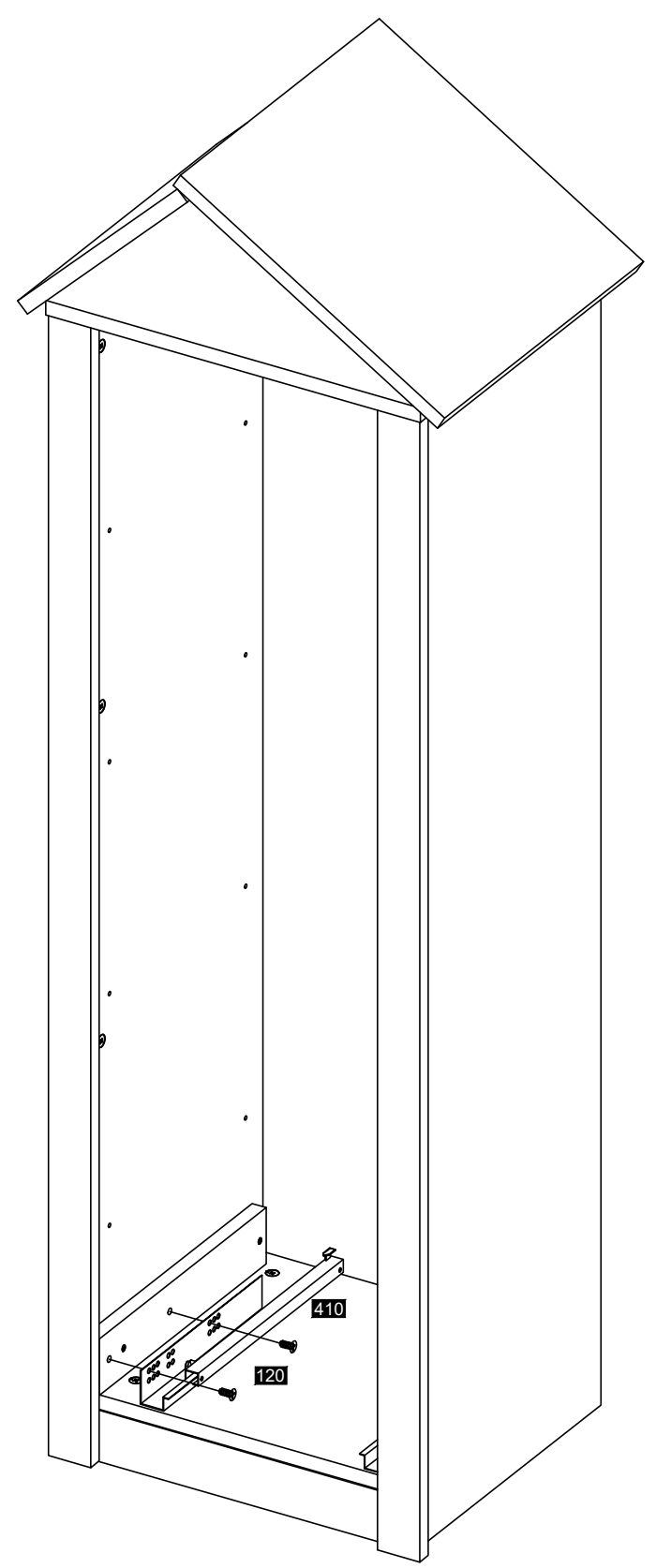
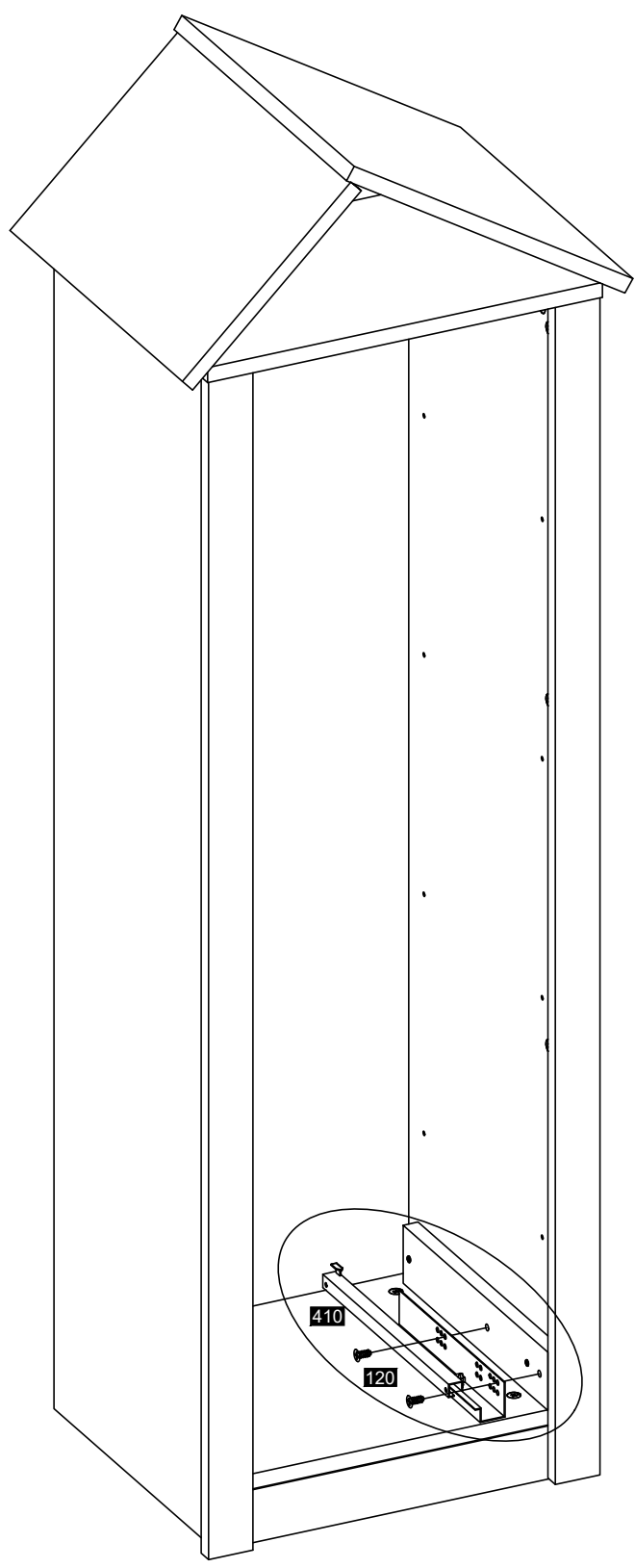


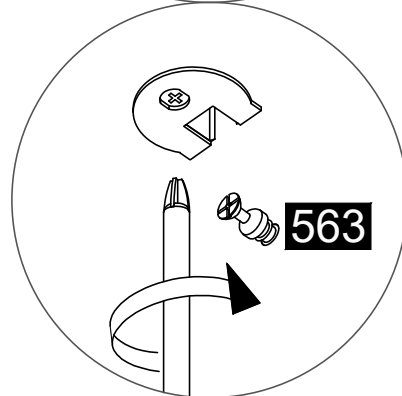
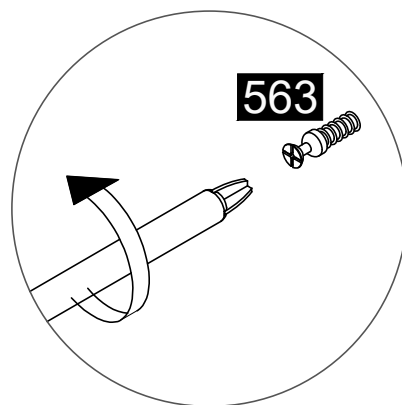
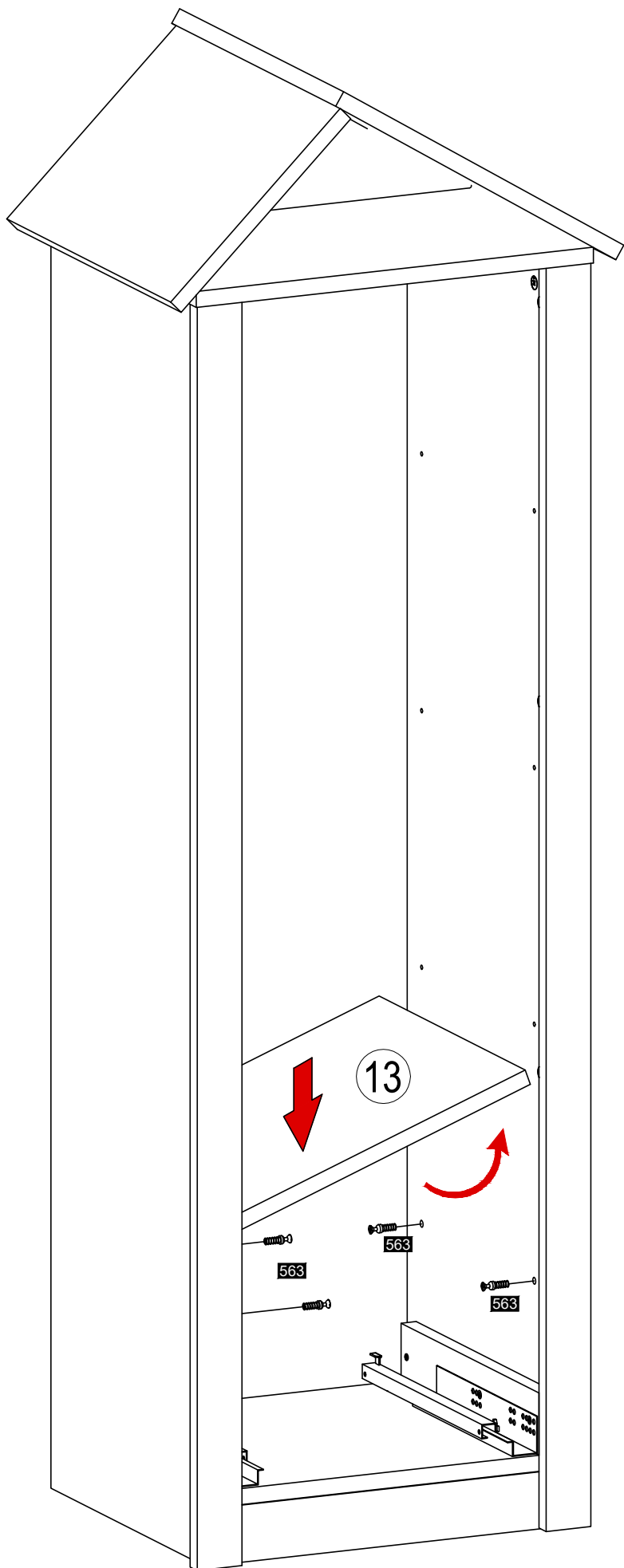
1x

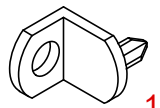
120



4x



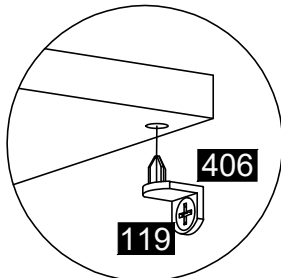
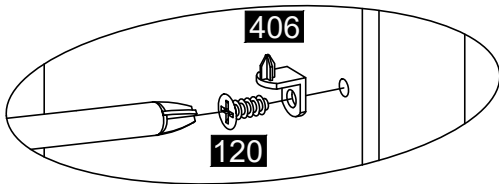
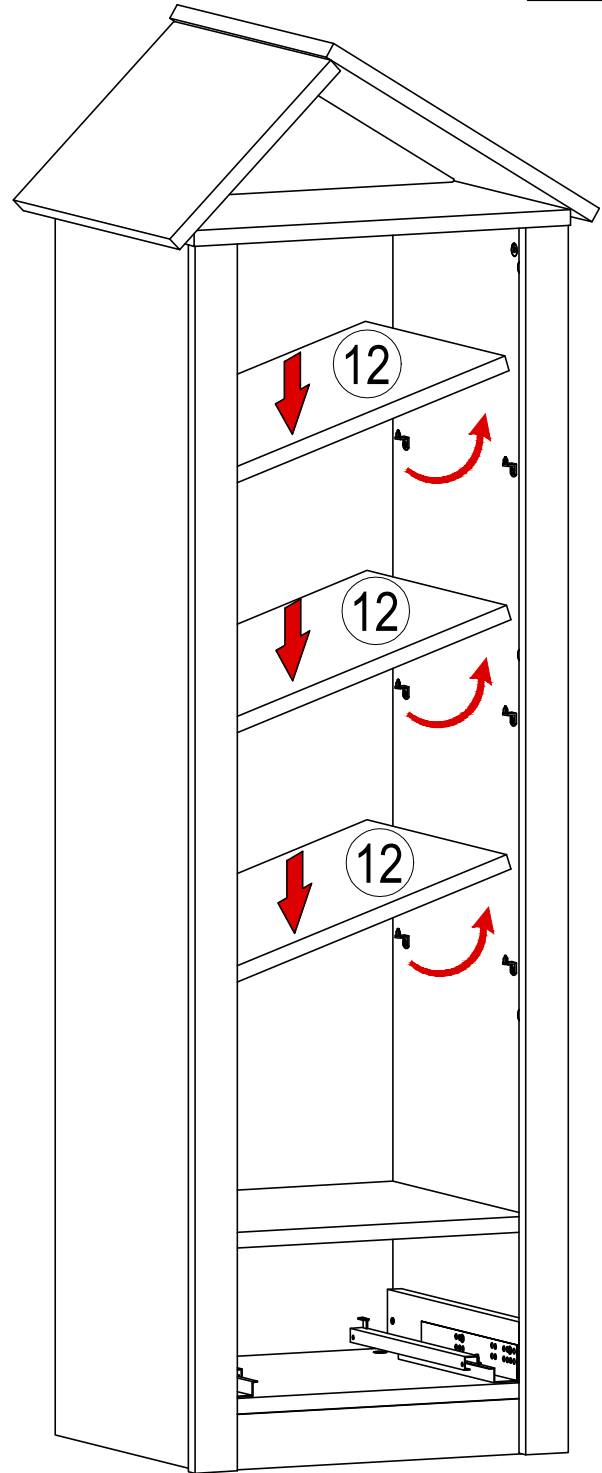
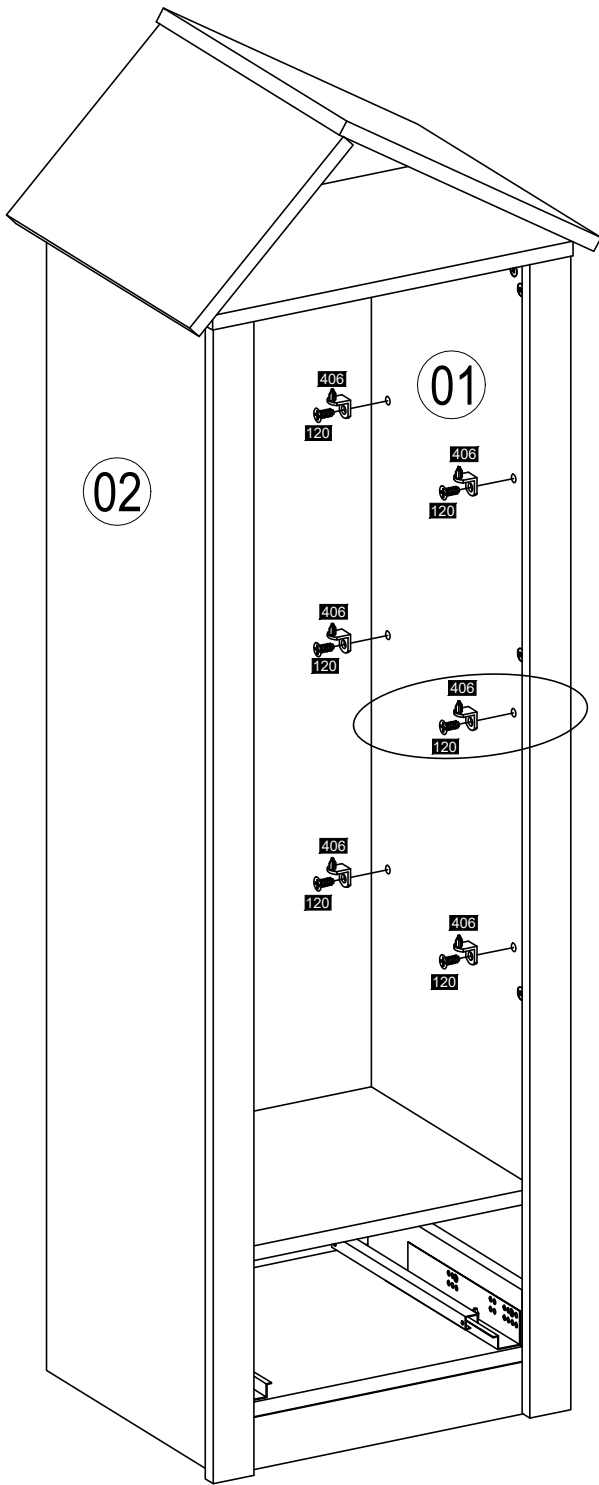




12x

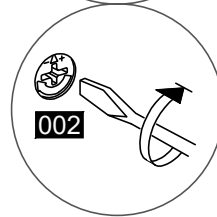
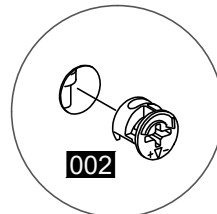
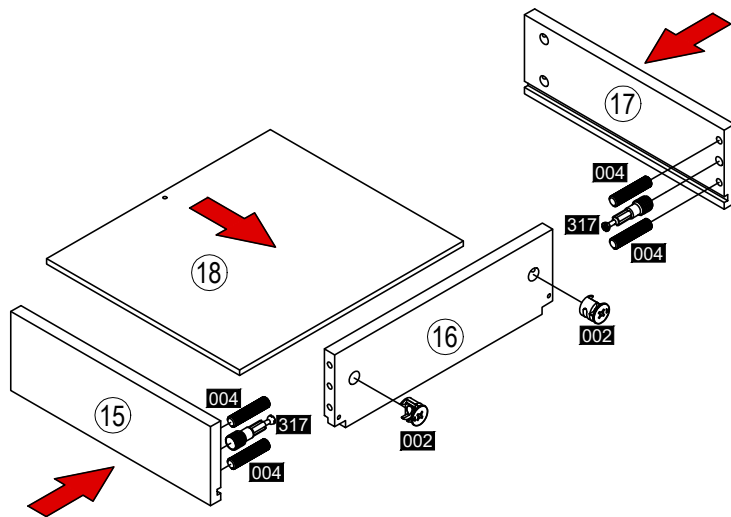


12x



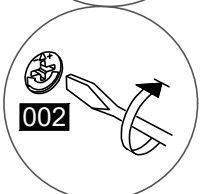
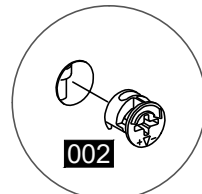
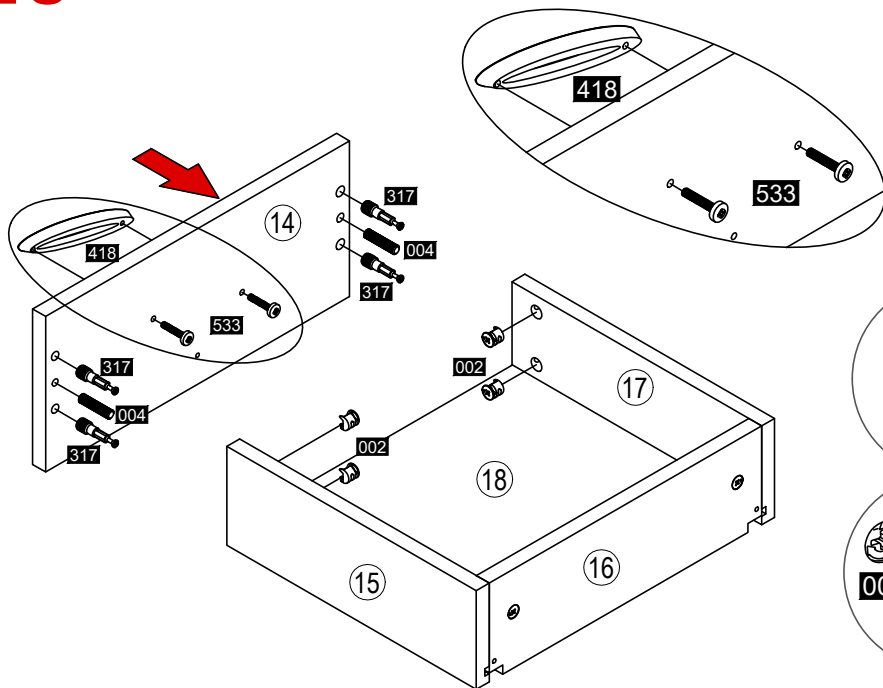
9

466317



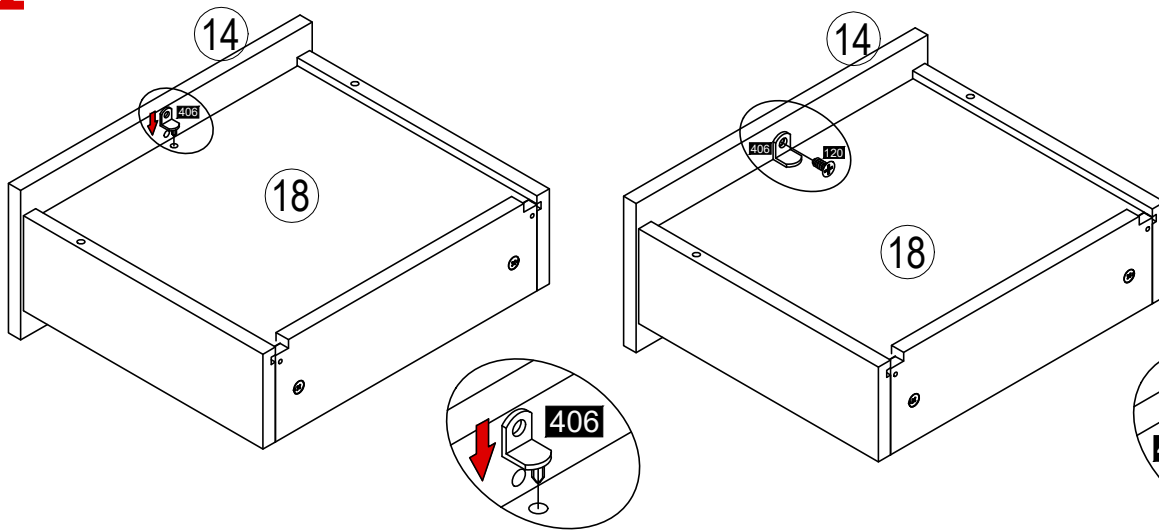
002		2x
317		2x
004		4x

10

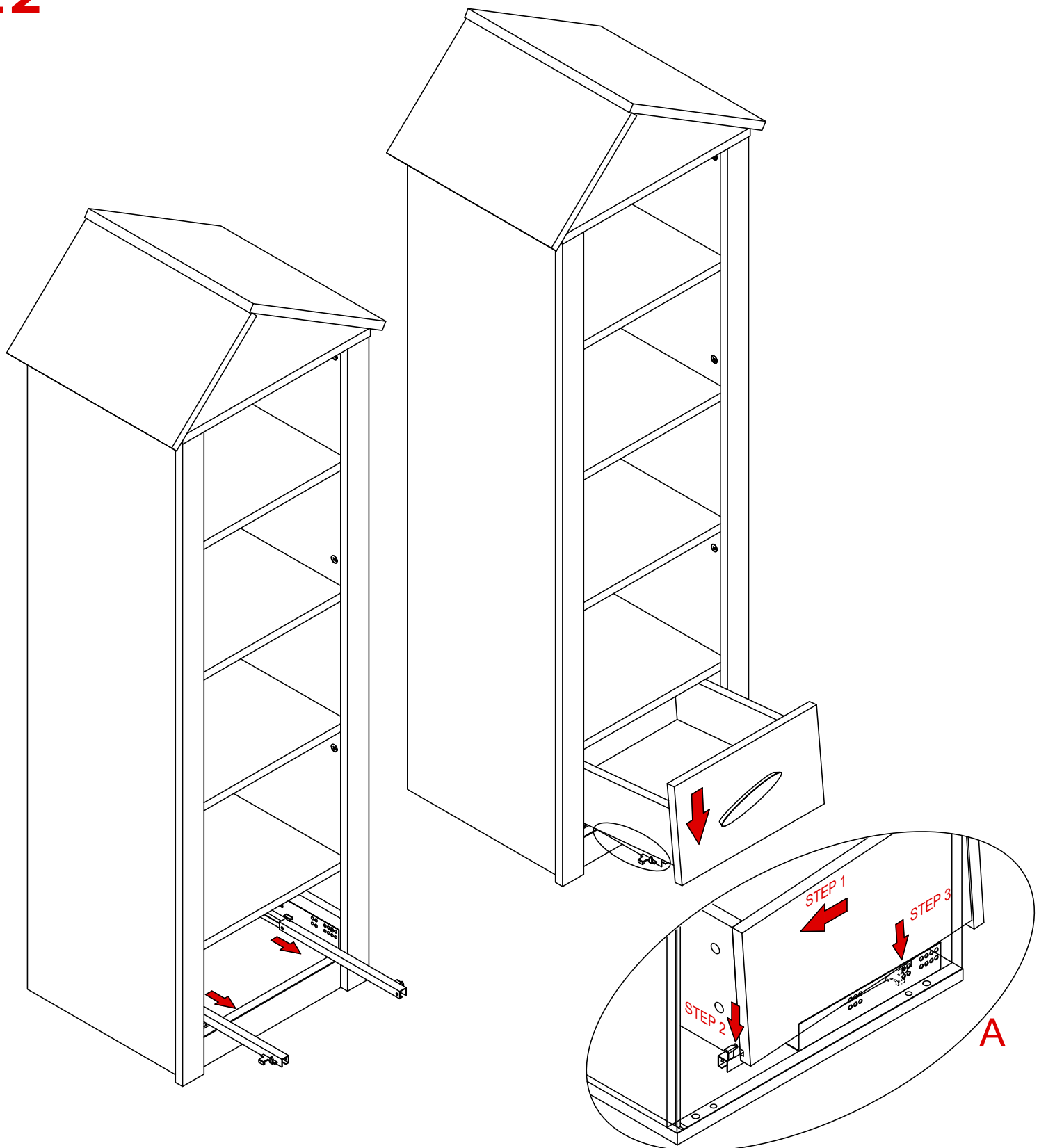


418		1x	002		4x
533		2x	317		4x
020		4x	004		2x

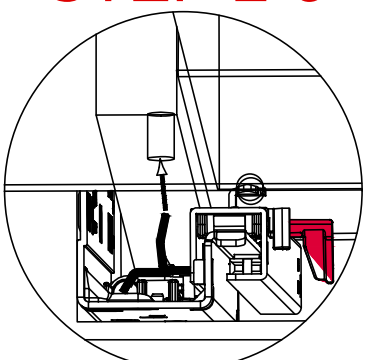
11



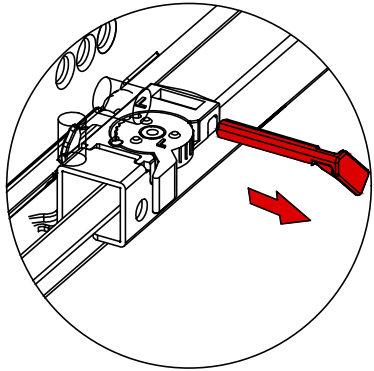
406		1x
120		1x



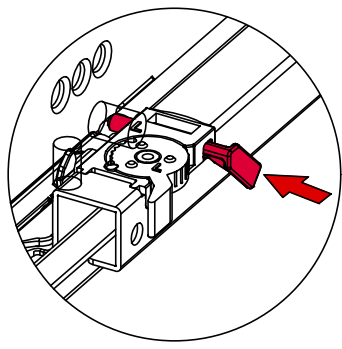
STEP 2-3



STEP 4



STEP 5



STEP 6

